

## Manuals+

[Q & A](#) | [Deep Search](#) | [Upload](#)

Manuals.plus /

› [DREAMODERN](#) /

› DREAMODERN Pull-Out Sleeper Sofa Bed User Manual

## DREAMODERN 45.5" W Convertible Sofa Bed

# DREAMODERN Pull-Out Sleeper Sofa Bed User Manual

Model: 45.5" W Convertible Sofa Bed (ASIN: B0CDB8PBJT)

## INTRODUCTION

This manual provides essential information for the safe and efficient use of your DREAMODERN 45.5" W Convertible Sofa Bed. Please read it thoroughly before assembly and operation, and retain it for future reference.

The DREAMODERN Pull-Out Sleeper Sofa Bed is designed for versatility, functioning as both a comfortable sofa and a convenient pull-out bed. It features a sturdy iron frame and wood construction, upholstered in soft velvet fabric, and includes two lumbar pillows for enhanced comfort.

## SAFETY INFORMATION

- **Supervision:** Always supervise children and pets around the sofa bed to prevent entrapment risks, especially during conversion between sofa and bed modes.
- **Heat Sources:** Keep the sofa bed away from open flames, fireplaces, heaters, and other high heat sources to prevent fire hazards.
- **Assembly:** Always follow the assembly instructions carefully. Improper assembly can lead to instability and potential injury.
- **Weight Capacity:** Do not exceed the stated weight limit of 250 pounds per seat. Overloading can damage the product and cause injury.
- **Stability:** Ensure the sofa bed is placed on a flat, stable surface. Avoid placing it on uneven ground.

## PACKAGE CONTENTS

Upon unpacking, please verify that all components are present and undamaged. If any parts are missing or damaged, contact customer support immediately.

- Sofa Bed Frame (1)
- Lumbar Pillows (2)
- Assembly Hardware Kit (1)

- Assembly Instructions Manual (1)

## SETUP AND ASSEMBLY

---

Assembly is required for this product. Please follow the included assembly instructions carefully. It is recommended to have two adults for assembly.

1. **Unpack Components:** Carefully remove all parts from the packaging. Lay them out on a clean, soft surface to prevent scratches.
2. **Identify Parts:** Refer to the parts list in the separate assembly instructions to identify each component.
3. **Assemble Frame:** Connect the main frame components using the provided hardware. Ensure all bolts are securely tightened, but do not overtighten.
4. **Attach Legs:** Securely attach the plastic legs to the base of the sofa frame.
5. **Install Pull-Out Mechanism:** Follow the instructions to properly install and test the pull-out bed mechanism. Ensure it glides smoothly.
6. **Place Cushions and Pillows:** Position the seat and back cushions. Place the two lumbar pillows as desired.
7. **Final Check:** Before use, ensure all connections are secure and the sofa bed is stable.

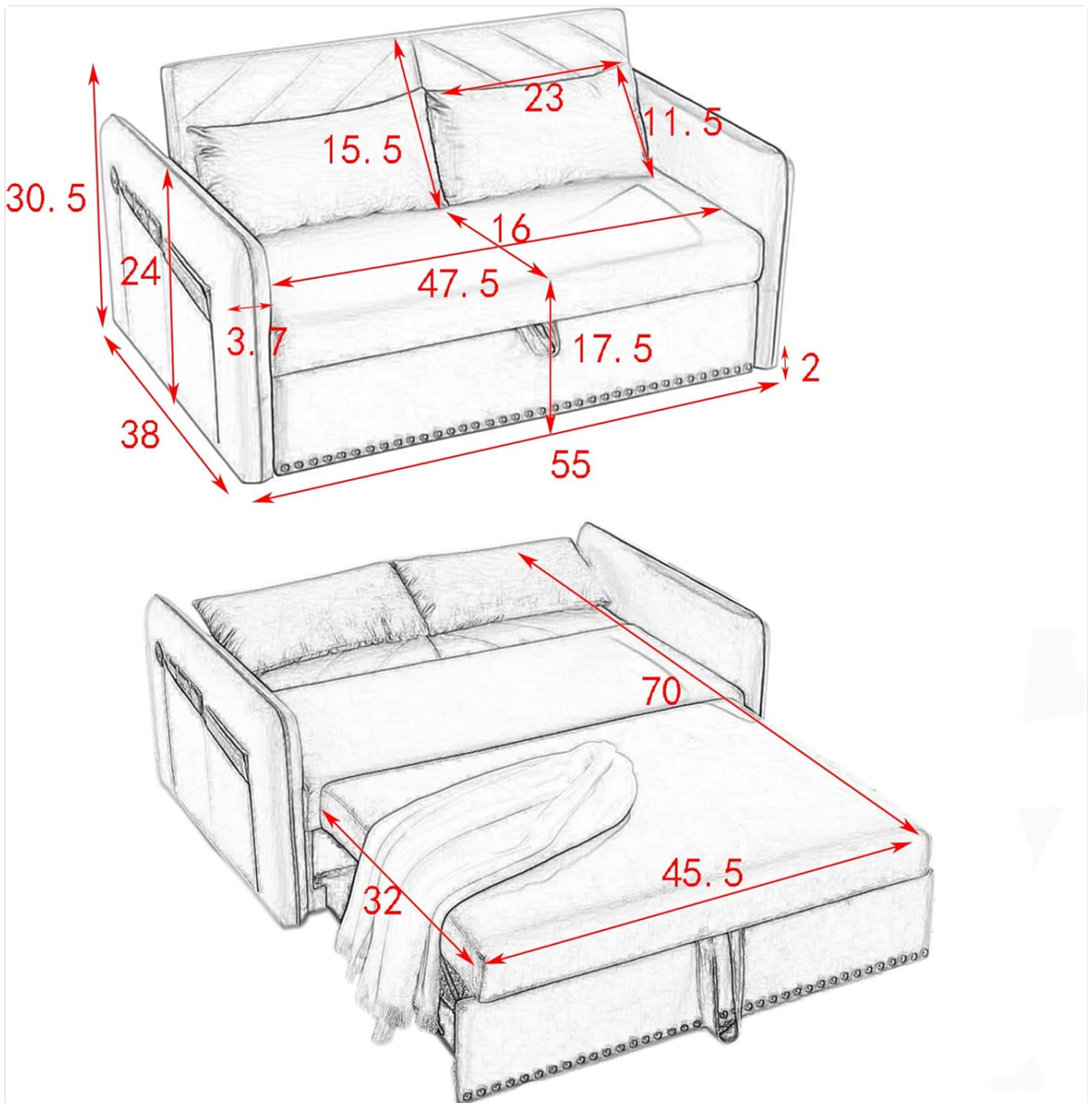


Figure 1: Product Dimensions Diagram. This diagram illustrates the overall dimensions of the sofa in both its compact sofa form and extended bed form, including height, width, and depth measurements for each configuration.

## OPERATING INSTRUCTIONS

### Converting from Sofa to Bed

1. **Clear the Area:** Ensure there is sufficient space in front of the sofa for the bed to extend fully.
2. **Locate Pull Handle:** Identify the pull handle or strap located at the front base of the sofa.
3. **Pull Out Bed:** Gently pull the handle outwards and upwards. The bed frame will slide out from underneath the sofa seat. Continue pulling until the bed is fully extended and locked into place.
4. **Adjust Cushions:** The sofa's back cushions may need to be adjusted or removed to accommodate the bed configuration.



Figure 2: Sofa Bed in Extended Position. This image shows the DREAMODERN sofa fully extended into its bed configuration, complete with lumbar pillows and a throw blanket, ready for use as a sleeping surface.



Figure 3: Pull-Out Mechanism Detail. A close-up view highlighting the sturdy pull-out mechanism and the decorative studded trim along the base of the sofa bed, demonstrating the ease of conversion.

### Converting from Bed to Sofa

1. **Clear Bed Surface:** Remove any bedding, pillows, or other items from the bed surface.
2. **Release Lock:** Gently lift the front edge of the extended bed frame slightly to disengage the locking mechanism.
3. **Push In Bed:** Guide the bed frame back underneath the sofa seat. Push firmly and evenly until it is fully retracted and the sofa is in its compact position.
4. **Adjust Cushions:** Rearrange the back cushions and lumbar pillows for comfortable sofa seating.



Figure 4: Sofa in Compact Position with Side Pocket. This image displays the sofa in its standard couch configuration, highlighting the convenient side storage pocket for small items like remote controls or books.

### **Using the Side Storage Pocket**

The sofa is equipped with a removable side storage bag. This pocket is ideal for storing small items such as TV remotes, mobile phones, glasses, or books, keeping them within easy reach.



Figure 5: Backrest and Side Pocket Detail. A detailed view showing the distinctive quilted pattern on the sofa's backrest and the practical side storage pocket, designed for convenient access to personal items.

## MAINTENANCE AND CARE

---

- **Regular Cleaning:** Vacuum the velvet upholstery regularly using a soft brush attachment to remove dust and debris.
- **Spot Cleaning:** For spills, blot immediately with a clean, dry cloth. For stubborn stains, use a mild upholstery cleaner specifically designed for velvet, testing on an inconspicuous area first. Do not rub vigorously.
- **Avoid Direct Sunlight:** Prolonged exposure to direct sunlight can cause the velvet fabric to fade. Position the sofa bed away from direct sunlight or use curtains/blinds.
- **Mechanism Care:** Periodically check the pull-out mechanism for smooth operation. If it becomes stiff, a small amount of silicone-based lubricant can be applied to the moving parts (avoiding fabric).
- **Tighten Hardware:** Over time, screws and bolts may loosen. Periodically check and tighten all assembly hardware to maintain stability.

## TROUBLESHOOTING

Problem	Possible Cause	Solution
Sofa bed mechanism is stiff or difficult to pull out/push in.	Mechanism may be dry or obstructed.	Check for any obstructions. Apply a silicone-based lubricant to the moving parts of the mechanism. Ensure the sofa is on a level surface.
Sofa feels wobbly or unstable.	Loose assembly hardware or uneven floor.	Check and tighten all screws and bolts. Ensure the sofa is placed on a flat, level surface.
Fabric appears discolored or faded.	Prolonged exposure to direct sunlight.	Relocate the sofa away from direct sunlight or use window coverings to protect it.
Squeaking noises during operation.	Friction in moving parts or loose joints.	Lubricate the pull-out mechanism. Check and tighten all frame connections.

## SPECIFICATIONS

Feature	Detail
Product Name	45.5" W Convertible Sofa Bed
Brand	DREAMODERN
Model Identifier (ASIN)	B0CDB8PBJT
Overall Dimensions (Sofa)	Approx. 55" W x 38" D x 30.5" H (Refer to diagram for precise measurements)
Overall Dimensions (Bed)	Approx. 55" W x 70" D x 24" H (Refer to diagram for precise measurements)
Seat Height	16 Inches
Weight Capacity	250 lbs per seat
Upholstery Material	Velvet Fabric
Frame Material	Iron, Wood
Leg Material	Plastic
Fill Material	Foam (High-density)
Included Components	Sofa Bed, 2 Lumbar Pillows
Assembly Required	Yes
Special Features	Pull-out bed mechanism, Side storage pocket

## WARRANTY INFORMATION

The DREAMODERN Pull-Out Sleeper Sofa Bed comes with a **Limited Warranty**. Specific terms and conditions of the warranty, including duration and coverage details, are typically provided with your purchase documentation or can be

obtained by contacting DREAMODERN customer support. Please retain your proof of purchase for warranty claims.

## CUSTOMER SUPPORT

---

For any questions, concerns, or assistance with your DREAMODERN Pull-Out Sleeper Sofa Bed, please contact DREAMODERN customer support. Have your product model (45.5" W Convertible Sofa Bed) and ASIN (B0CDB8PBJT) ready when contacting support for faster service.

You can typically find contact information for DREAMODERN on their official website or through the retailer where you purchased the product. For Amazon purchases, you may visit the [DREAMODERN Store on Amazon](#).

© 2023 DREAMODERN. All rights reserved.  
This manual is subject to change without notice.