

[Manuals.plus](#) /

> [SONGMICS](#) /

> SONGMICS Expandable 3-Tier Metal Shoe Rack (Model LMR039B01) Instruction Manual

## SONGMICS LMR039B01

# SONGMICS Expandable 3-Tier Metal Shoe Rack (Model LMR039B01) Instruction Manual

Efficient and adaptable shoe storage solution.

## 1. INTRODUCTION

Thank you for choosing the SONGMICS Expandable 3-Tier Metal Shoe Rack. This manual provides essential information for the safe and efficient assembly, operation, and maintenance of your new shoe organizer. Please read these instructions thoroughly before beginning assembly and retain them for future reference.



Figure 1: Fully assembled SONGMICS 3-Tier Expandable Shoe Rack.

## 2. IMPORTANT SAFETY INFORMATION

- Ensure the shoe rack is used within its maximum static load capacity of 49.5 lb (22.5 kg). Do not overload.
- Avoid placing the shoe rack in humid environments for extended periods to prevent damage.
- Keep all small parts and packaging materials away from children and pets to prevent choking hazards.
- Assemble the product on a soft, flat surface to prevent scratches or damage.

### 3. PACKAGE CONTENTS

---

Verify that all components listed below are present before beginning assembly:

- 1 x Expandable Shoe Rack (main frame components)
- 1 x Accessory Kit (screws, adjustable feet)
- 1 x Instructions Manual

### 4. SETUP AND ASSEMBLY

---

The SONGMICS Expandable Shoe Rack is designed for convenient, tool-free assembly. Simply tighten the screws with your bare hands.

1. **Unpack Components:** Carefully remove all parts from the packaging and lay them out on a clean, soft surface.
2. **Assemble Side Frames:** Connect the horizontal bars to the vertical side frames. The design allows for easy, hand-tightened screw connections.
3. **Attach Shelves:** Insert the shelf rods into the designated holes on the side frames. Ensure the small buttons on the rods snap into place for a secure fit.
4. **Install Adjustable Feet:** Screw the adjustable feet onto the bottom of the vertical frames. Adjust them as needed to ensure the rack is perfectly level on uneven surfaces.

# Tool-Free Assembly

Simply tighten the screws with your bare hands

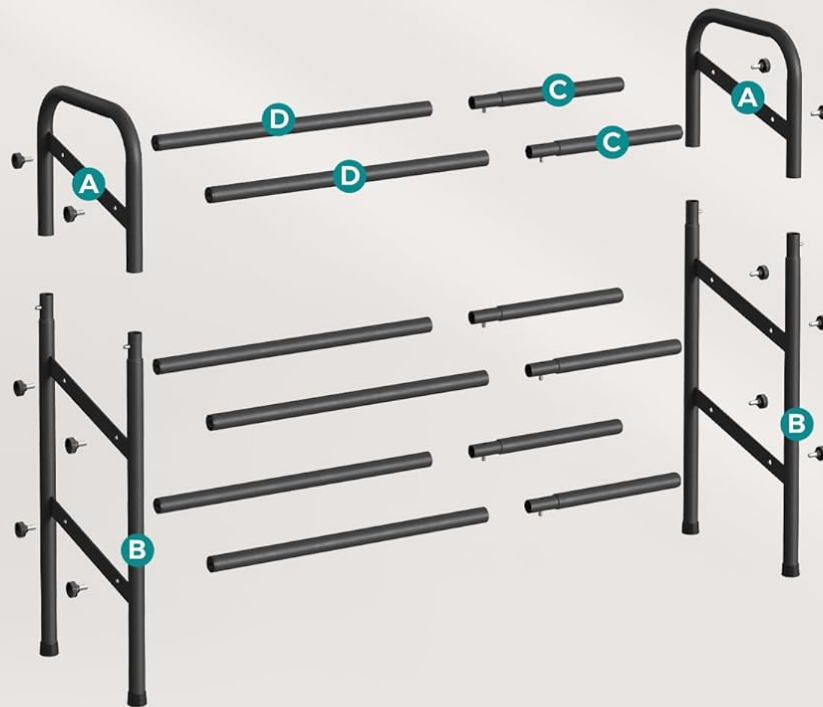


Figure 2: Visual guide for tool-free assembly.

Video 1: Step-by-step assembly demonstration for the 3-tier shoe rack.

## 5. OPERATING INSTRUCTIONS

### 5.1 Expanding the Shoe Rack

The shoe rack features an expandable design, allowing you to adjust its width from 22.8 inches to 32.7 inches to fit your available space and storage needs. To expand, simply pull the two halves of the rack apart until the desired width is achieved. The internal mechanism will secure it in place.

# Spacious and Sturdy Shoe Rack

Suitable for more shoes

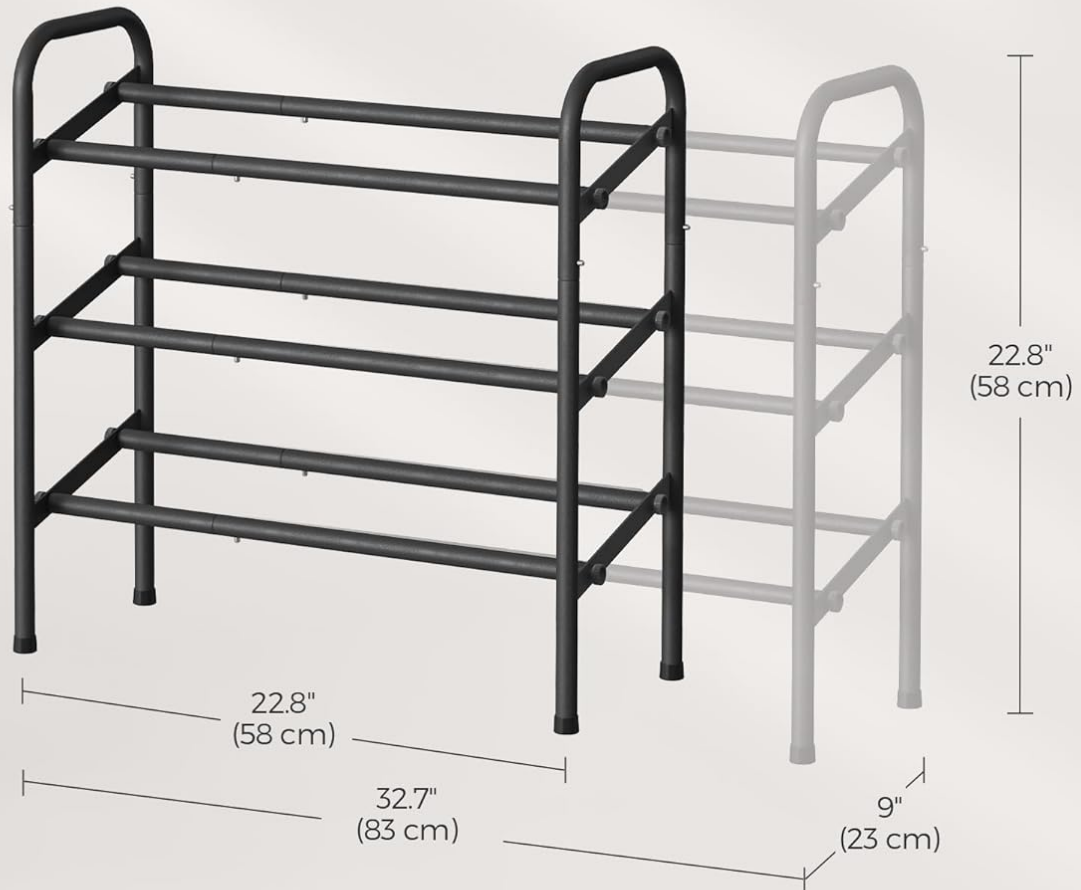


Figure 3: Expandable design and dimensions of the shoe rack.


## 5.2 Storing Shoes

The 3-tier design provides ample space for various shoe types. Each tier can comfortably hold multiple pairs of shoes, depending on their size and style.

- **Angled Shelf Design:** The shelves are designed with a slight angle to prevent shoes, especially high heels, from slipping off.
- **Elevated Bottom:** An elevated bottom section provides additional space for storing flatter shoes, slippers, or sandals directly on the floor beneath the lowest shelf.
- **Capacity:** In its expanded state, the rack can accommodate approximately 4-5 pairs of women's shoes or 3-4 pairs of men's shoes per tier.

# Expandable & Stretchable Design



 × 2  
Shoes  
per tier



 × 4  
Men's shoes  
per tier

 × 5  
Women's  
shoes  
per tier

Figure 4: Shoe storage capacity in expanded mode.

## Elevated Bottom to Fit More Shoes

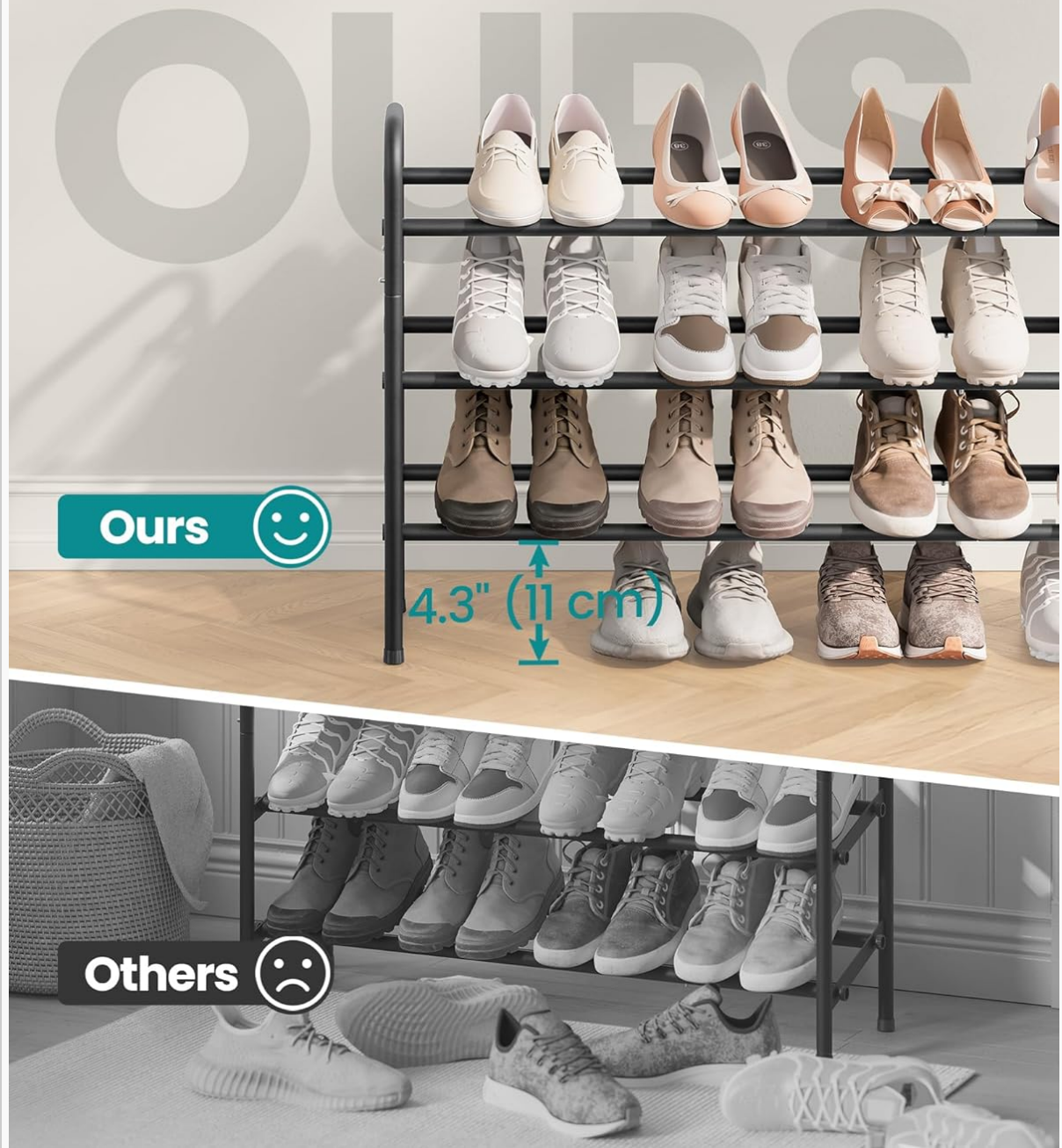


Figure 5: Elevated bottom for extra storage space.

Video 2: Demonstration of the expandable feature and shoe placement.

## 6. MAINTENANCE

- **Cleaning:** Wipe the shoe rack with a dry cloth to remove dust and dirt. Avoid using harsh chemicals or abrasive cleaners that could damage the finish.
- **Inspection:** Periodically check all connections to ensure they remain tight and secure. Re-tighten any loose screws as needed.
- **Storage:** If disassembling for storage, ensure all parts are clean and dry before packing them away in a cool, dry place.

## 7. TROUBLESHOOTING

- **Rack is Wobbly:** Ensure all screws are fully tightened. Adjust the leveling feet on the bottom of the rack to compensate for uneven floor surfaces.
- **Shoes Slip Off:** Confirm that the shelves are installed with the angled design facing upwards, which helps secure shoes in place.
- **Difficulty Expanding/Contracting:** Gently pull or push from both ends simultaneously. If resistance is met, check for any obstructions in the sliding mechanism.

## 8. SPECIFICATIONS

Feature	Detail
Model Number	LMR039B01
Dimensions (D x W x H)	9"D x 22.8"-32.7"W x 22.8"H
Number of Tiers	3
Material	Metal
Color	Ink Black
Weight Limit	49.5 lb (22.5 kg)
Assembly Required	Yes (Tool-Free)
Special Features	Expandable, Angled Shelf Design, Convenient Handles, Elevated Bottom, Adjustable Feet

## 9. WARRANTY AND SUPPORT

For warranty information, product support, or to inquire about replacement parts, please refer to the contact details provided with your purchase or visit the official SONGMICS website. Keep your purchase receipt for any warranty claims.