



Manuals.plus /

› Cihome /

› Cihome 60-inch Electric Fireplace Instruction Manual

Cihome IF-1360TCL

Cihome 60-inch Electric Fireplace Instruction Manual

Model: IF-1360TCL

[Safety](#) [Contents](#) [Specifications](#) [Setup](#) [Operation](#) [Maintenance](#) [Troubleshooting](#)
[Warranty & Support](#)

1. IMPORTANT SAFETY INFORMATION

Please read all instructions carefully before installation and use. Failure to follow these instructions may result in electric shock, fire, property damage, or personal injury.

- This electric fireplace is designed for indoor use only.
- Ensure the power outlet meets the voltage and current requirements of the appliance.
- Do not operate the fireplace with a damaged cord or plug.
- Keep combustible materials, such as furniture, pillows, bedding, papers, clothes, and curtains, at least 3 feet (0.9 m) from the front of the heater.
- Do not insert or allow foreign objects to enter any ventilation or exhaust opening as this may cause an electric shock or fire, or damage the heater.
- To prevent a possible fire, do not block air intakes or exhaust in any manner. Do not use on soft surfaces, like a bed, where openings may become blocked.
- The fireplace is equipped with a safety cut-off device for overheating protection. If the heater overheats, it will automatically shut off. Unplug the unit and allow it to cool down before restarting.
- Since it is not a real flame, electric fireplace inserts produce no harmful gases, dust, or ash, ensuring environmentally friendly use.

2. PACKAGE CONTENTS

Upon unpacking, please ensure all components are present and undamaged:

- Clihome 60-inch Electric Fireplace Unit
- Remote Control
- Instruction Manual
- Mounting Hardware (for wall-mounted or recessed installation)

3. PRODUCT SPECIFICATIONS

Feature	Description
Brand	Clihome
Model Name	IF-1360TCL
Product Dimensions	16.5"D x 4.3"W x 60"H
Material	Glass, Metal
Finish Type	Painted
Power Source	Corded Electric
Heat Output	5000 British Thermal Units (BTU)
Power Consumption	750W & 1500W modes
Heating Coverage	Up to 400 sq ft
Installation Type	Wall Mount, Recessed
Special Features	Adjustable Flame (12 colors, 5 brightness levels), Timer (1-8 hours), Remote Control, Touch Screen Control
Certifications	CETL Certified

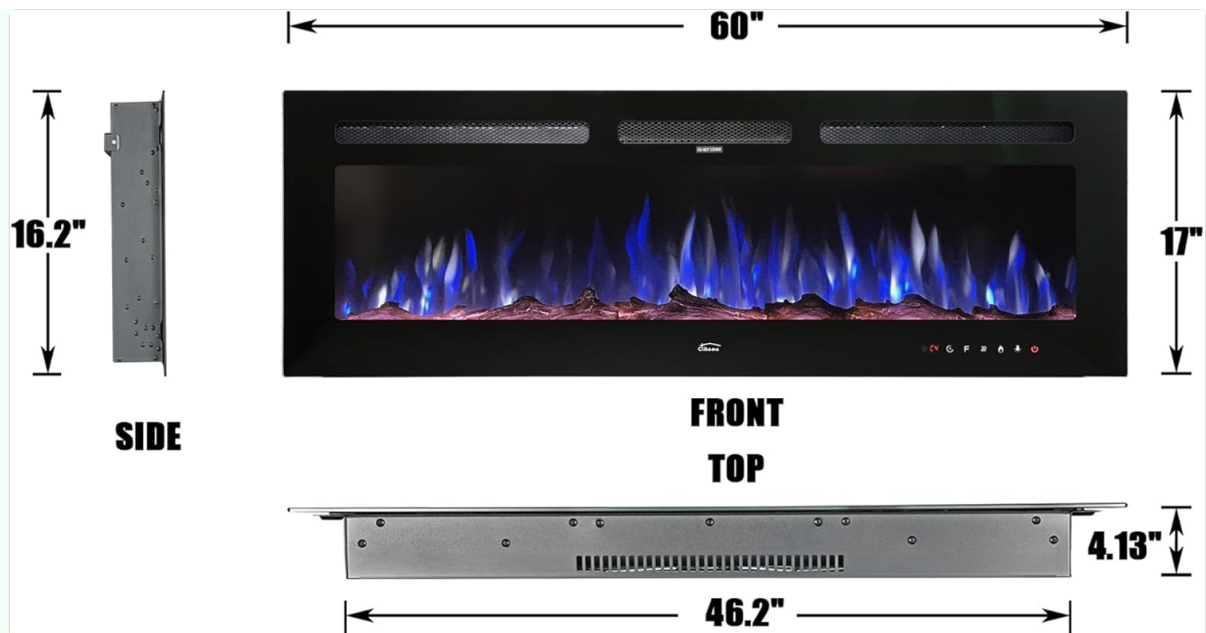


Figure 3.1: Product Dimensions. The fireplace measures 60 inches in width, 17 inches in height, and 4.1 inches in depth.

4. SETUP AND INSTALLATION

This electric fireplace offers two primary installation methods: wall-mounted and recessed. Choose the method that best suits your space and preferences.

4.1 Wall-Mounted Installation

For wall-mounted installation, the fireplace is hung directly on the wall using the provided mounting bracket. Ensure the wall material can support the weight of the unit.



Insert-In Wall

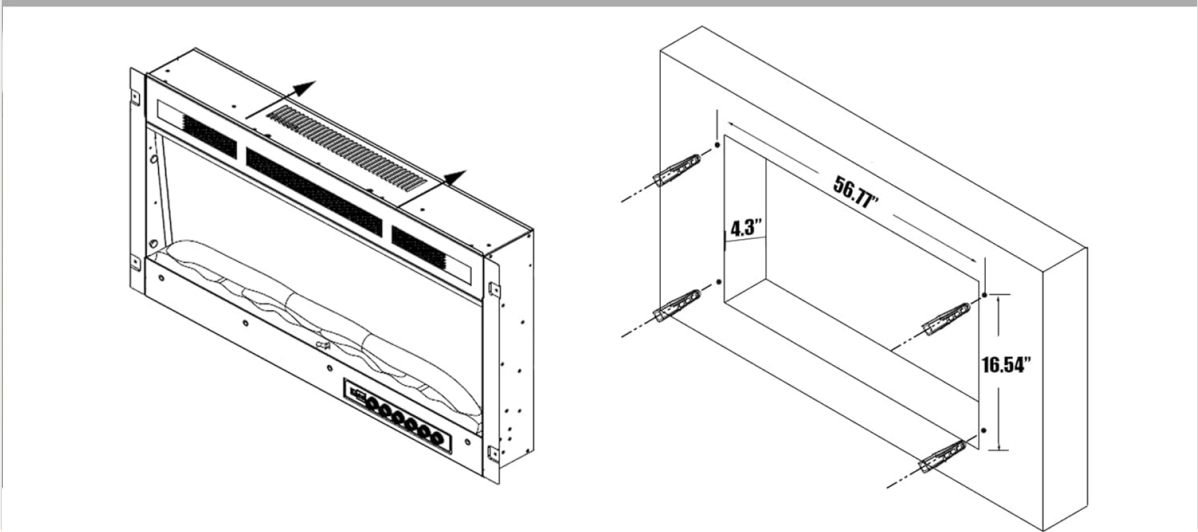
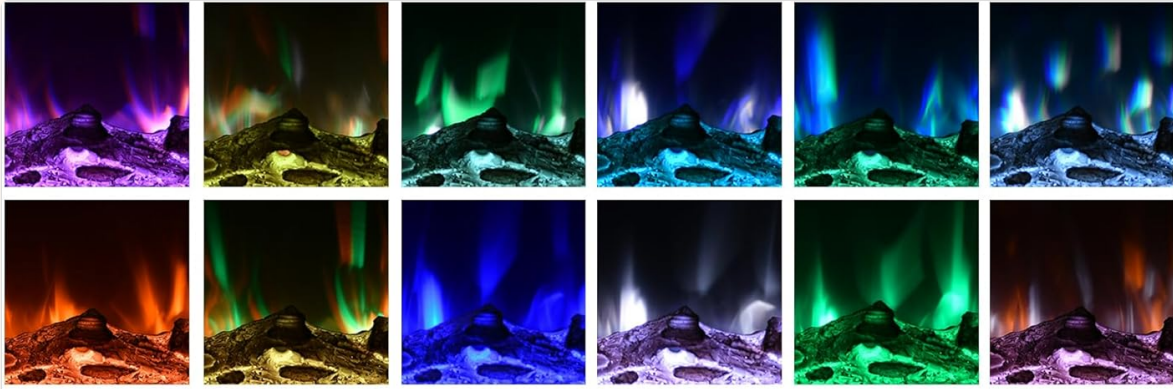


Figure 4.1: Wall-Mounted Installation. This method allows the fireplace to be hung on the wall like a picture frame.

4.2 Recessed Installation

For recessed installation, the fireplace is inserted into a prepared opening in the wall. This method provides a flush, built-in appearance. Ensure the wall opening dimensions match the fireplace specifications.



12 color flames, 5 levels of flame adjustment



Figure 4.2: Recessed Installation. The fireplace can be fully or partially recessed into a wall, requiring a specific opening size.

4.3 Placement Considerations

- Ideal for living rooms, bedrooms, or offices.
- Can be installed under a TV, ensuring proper clearance and ventilation.
- Ensure adequate air circulation around the unit. Refer to the heat vents diagram for air inlet and outlet locations.

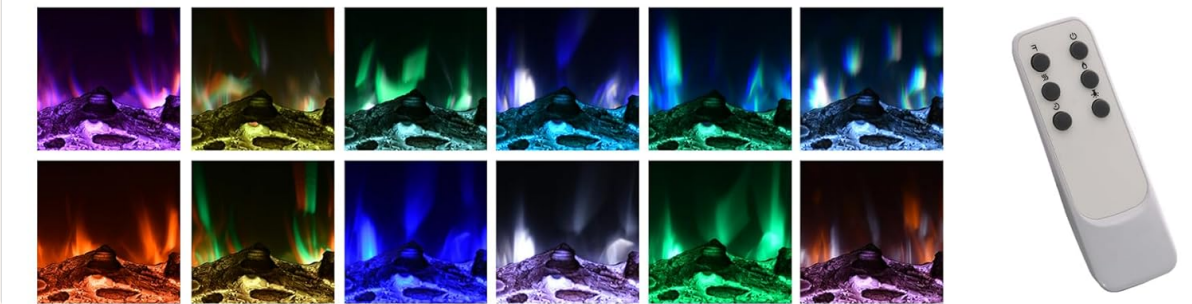


Figure 4.3: Heat Vents. Arrows indicate air intake and exhaust for proper heating function.

5. OPERATING INSTRUCTIONS

The Clihome Electric Fireplace can be operated using either the touch screen controls on the unit or the included remote control.

5.1 Touch Screen Controls

The touch screen buttons provide convenient access to all functions directly on the fireplace unit.



Touch screen buttons

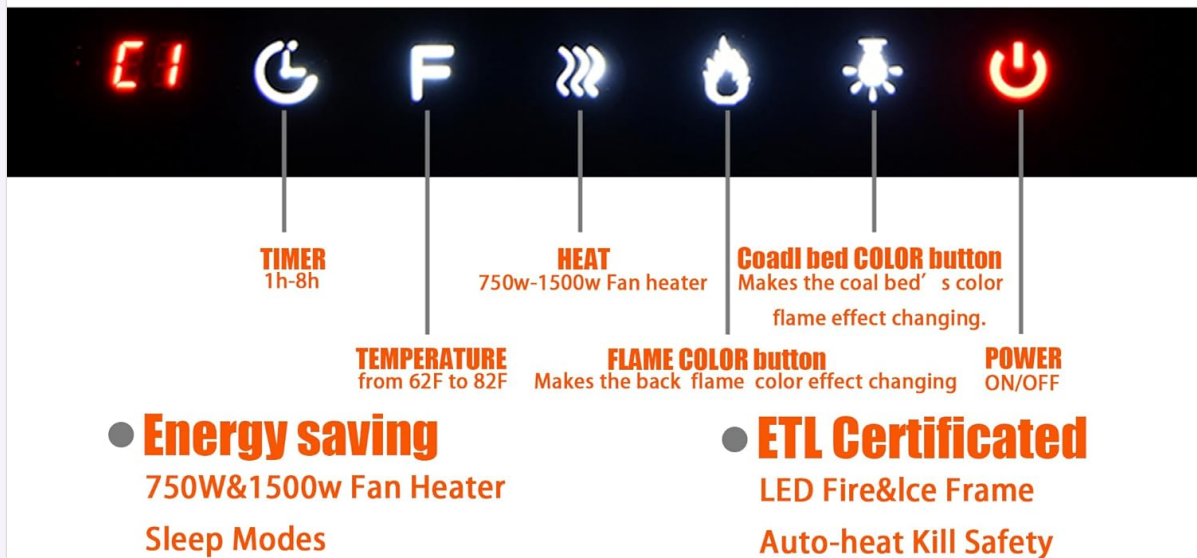


Figure 5.1: Touch Screen Buttons. Functions include Timer, Temperature, Heat, Flame Color, Coal Bed Color, and Power ON/OFF.

5.2 Remote Control

The remote control allows for convenient operation from a distance.



Figure 5.2: Remote Control. Provides access to all fireplace functions, including flame color and brightness adjustments.

5.3 Key Functions

- **Power ON/OFF:** Turns the unit on or off.
- **Heat Settings:** Toggle between 750W and 1500W heating modes. Adjust accordingly for warming and energy-saving purposes.
- **Temperature Control:** Adjust the desired room temperature from 62°F to 82°F.
- **Timer Control:** Set an automatic shut-off timer from 1 to 8 hours.
- **Flame Color:** Choose from 12 different flame colors to match your ambiance.
- **Flame Brightness:** Adjust the flame brightness with 5 different levels.
- **Independent Operation:** The heating and flame effects can be operated independently. You can enjoy the flame effect without heat.



Figure 5.3: Flame Customization. Explore 12 vibrant flame colors and 5 brightness levels for personalized ambiance.

6. MAINTENANCE

Regular maintenance ensures the longevity and optimal performance of your electric fireplace. Always unplug the unit before performing any maintenance.

- **Cleaning:** Use a soft, damp cloth to clean the exterior surfaces. Do not use abrasive cleaners or solvents.
- **Ventilation:** Periodically check the air inlets and outlets for dust or obstructions. Keep them clear to ensure proper airflow and prevent overheating.
- **No Ash/Dust:** As an electric fireplace, it does not produce ash or dust, simplifying cleaning compared to traditional fireplaces.
- **Storage:** If storing the fireplace for an extended period, ensure it is clean and dry. Store it in a cool, dry place.

7. TROUBLESHOOTING

If you encounter issues with your electric fireplace, refer to the following common problems and solutions:

Problem	Possible Cause	Solution
Fireplace does not turn on.	No power, power cord not plugged in, circuit breaker tripped, unit overheated.	Ensure the power cord is securely plugged into a working outlet. Check your household circuit breaker. If the unit overheated, unplug it and allow it to cool for 15-20 minutes before plugging it back in.
No heat output.	Heater function is off, temperature setting is too low, air vents blocked.	Ensure the heater function is activated. Increase the temperature setting. Check for and clear any obstructions from the air inlets and outlets.
Flame effect not working.	Flame function is off, LED lights malfunction.	Ensure the flame function is activated via the control panel or remote. If the issue persists, contact customer support.
Remote control not working.	Batteries are dead or incorrectly inserted, remote sensor blocked.	Replace the batteries in the remote control. Ensure there are no obstructions between the remote and the fireplace's sensor.

If the problem persists after attempting these solutions, please contact Clihome Customer Support for assistance.

8. WARRANTY AND CUSTOMER SUPPORT

Clihome stands behind the quality of its products. We have strong confidence in our electric fireplace and are committed to providing excellent after-sales service.

- **Returns:** This product is eligible for 30-day easy returns. Please refer to your purchase platform's return policy for detailed instructions.
- **Customer Support:** If you encounter any problems with your product, our customer support team is available to assist you. We aim to provide a satisfactory solution within 24 hours.
- **Contact:** For support, please refer to the contact information provided on your purchase receipt or visit the official Clihome store page on Amazon.