

## Clihome IF-50FSB

# Clihome 50-inch Electric Fireplace (Model IF-50FSB) Instruction Manual

Model: IF-50FSB

## 1. INTRODUCTION

---

This manual provides essential information for the safe operation, installation, and maintenance of your Clihome 50-inch Electric Fireplace. This electric fireplace is designed to offer the aesthetic appeal of a traditional fireplace with modern features such as adjustable flame colors, multiple heating modes, and a convenient timer function. Please read these instructions thoroughly before installation and use to ensure proper function and safety.

## 2. IMPORTANT SAFETY INFORMATION

---

**WARNING: To reduce the risk of fire, electric shock, or injury, read all instructions before using this appliance.**

- Ensure the fireplace is connected to a properly grounded outlet.
- Do not operate the fireplace with a damaged cord or plug.
- Keep combustible materials at least 3 feet (0.9 meters) away from the front of the fireplace.
- Do not insert or allow foreign objects to enter any ventilation or exhaust opening as this may cause an electric shock or fire, or damage the fireplace.
- This product is CETL certified and equipped with safety cut-off devices for overheating protection.
- The fireplace features a fall switch that automatically turns off the unit if it tips over (for freestanding installation).
- Since it is not a real flame, electric fireplace inserts produce no harmful gases, dust, or ash, ensuring environmentally friendly use.

## 3. PRODUCT SPECIFICATIONS

Feature	Description
Brand	Clihome
Model Name	IF-50FSB
Product Dimensions (L x W x H)	50" x 5.6" x 17.7"
Power Source	Corded Electric
Material	Glass, Metal
Heat Output	5000 British Thermal Units
Heating Coverage	400 Sq. Ft
Heating Element	Quartz
Special Features	Adjustable Flame, Flame Effect, Timer, Remote Control
Installation Type	Freestanding, Wall-Mounted, Recessed

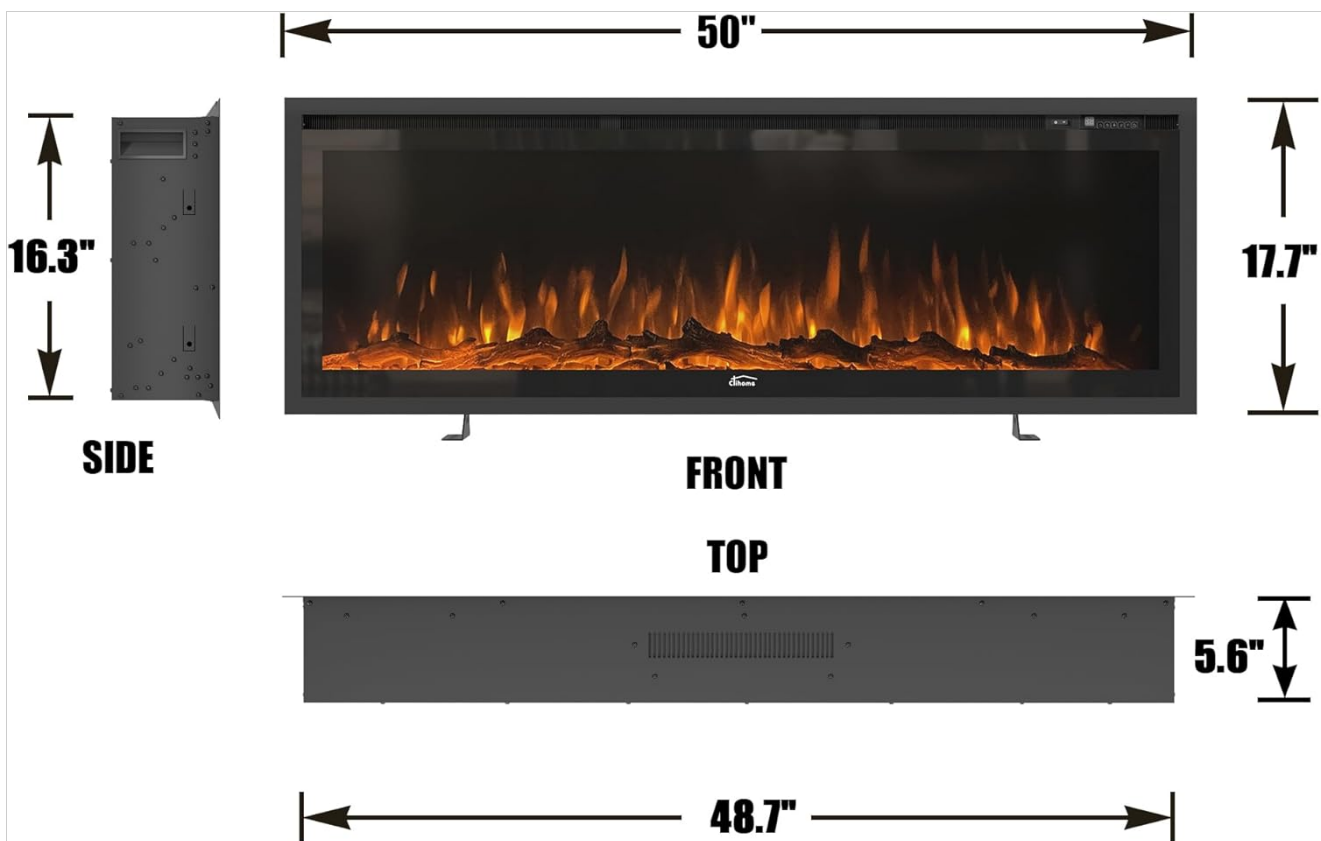


Figure 1: Product Dimensions (50" L x 5.6" W x 17.7" H)

## 4. PACKAGE CONTENTS

Please check to ensure all components are present before beginning installation:

- Electric Fireplace Unit (Model IF-50FSB)
- Remote Control
- Log Set (decorative)

- Crystals (decorative)
- Mounting Hardware (for wall-mount/recessed options)
- Iron Feet (for freestanding option)
- Instruction Manual (this document)



Figure 2: Included Components - Fireplace, Log Set, Crystals, and Remote Control

## 5. INSTALLATION

---

The Clihome 50-inch Electric Fireplace offers three installation methods: wall-mounted, recessed, or freestanding.

### 5.1 Wall-Mounted Installation

This method allows the fireplace to be hung on a wall, similar to a picture frame. Ensure the wall material can support the weight of the unit and use appropriate mounting hardware.



Figure 3: Example of Wall-Mounted Installation

## 5.2 Recessed Installation

For a flush, built-in look, the fireplace can be recessed into a wall. This requires creating an opening in the wall that matches the fireplace's dimensions. Consult the detailed diagram for precise measurements and ensure proper ventilation clearance.



## Insert-In Wall

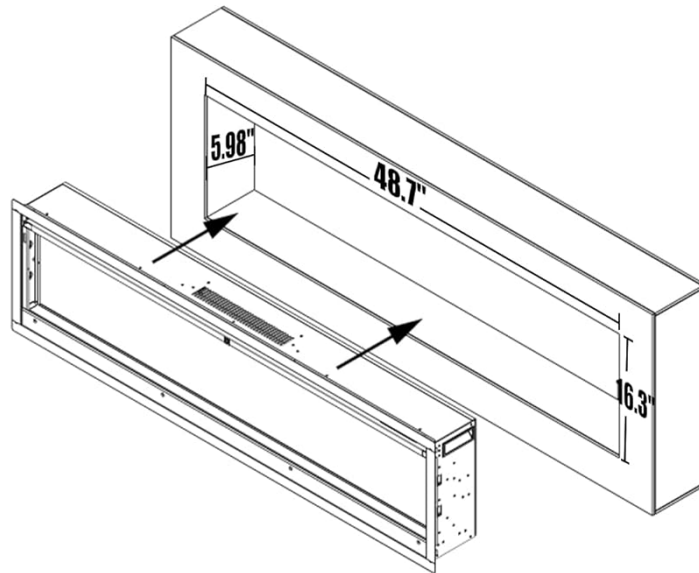


Figure 4: Recessed Installation Diagram

### 5.3 Freestanding Installation

The fireplace can also be used as a freestanding unit by attaching the provided iron feet. This offers flexibility in placement within your living space.



## Free Standing

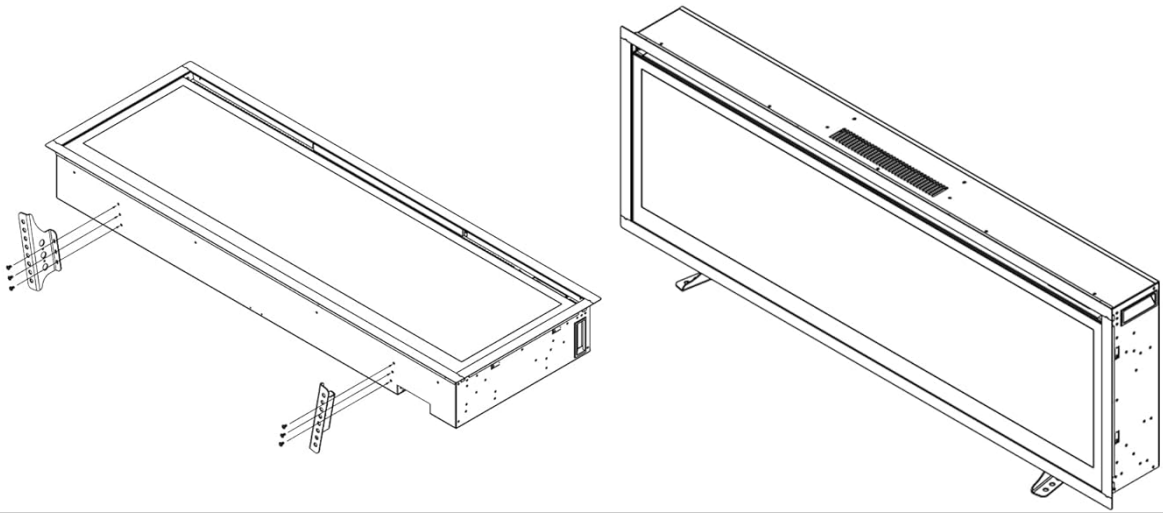


Figure 5: Freestanding Installation with Iron Feet

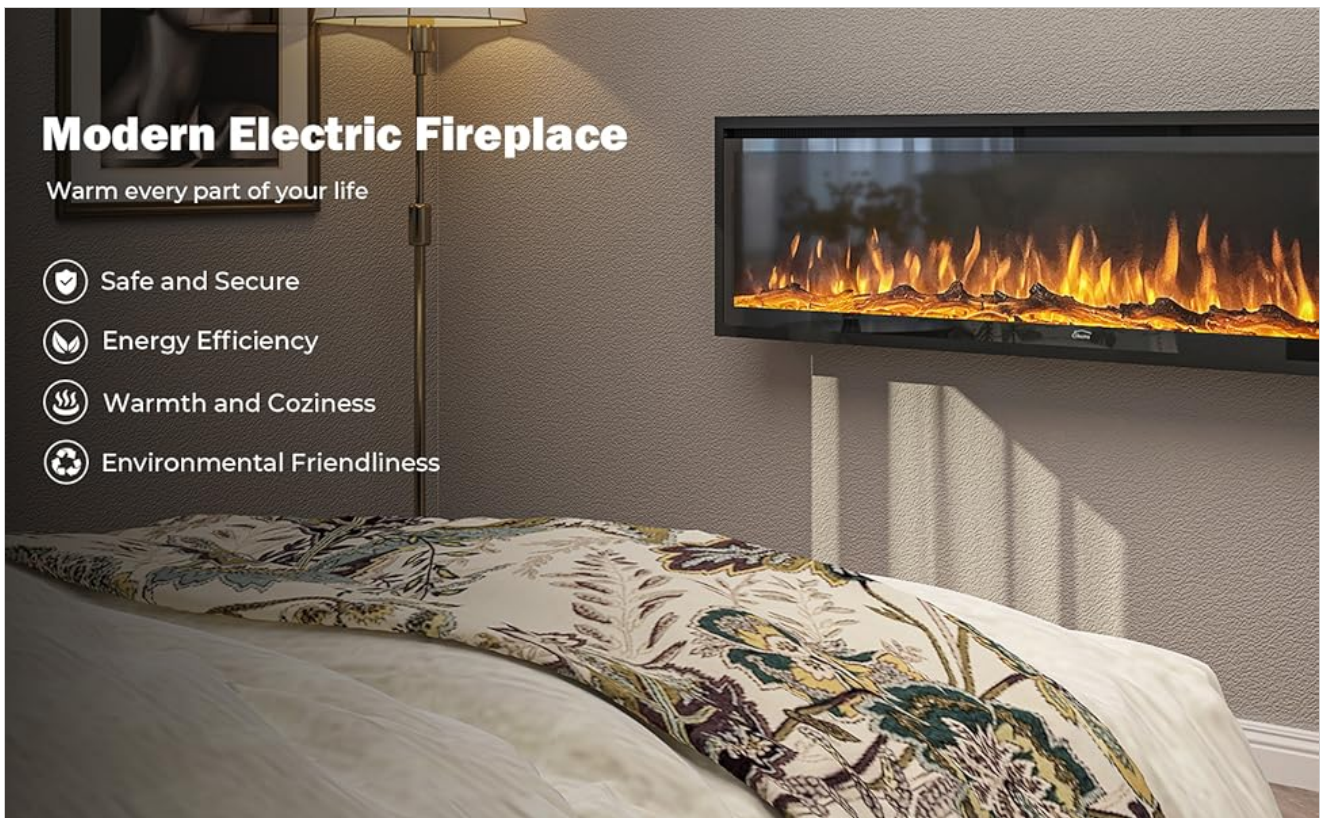


Figure 6: Fireplace installed under a TV

## 6. OPERATING INSTRUCTIONS

---

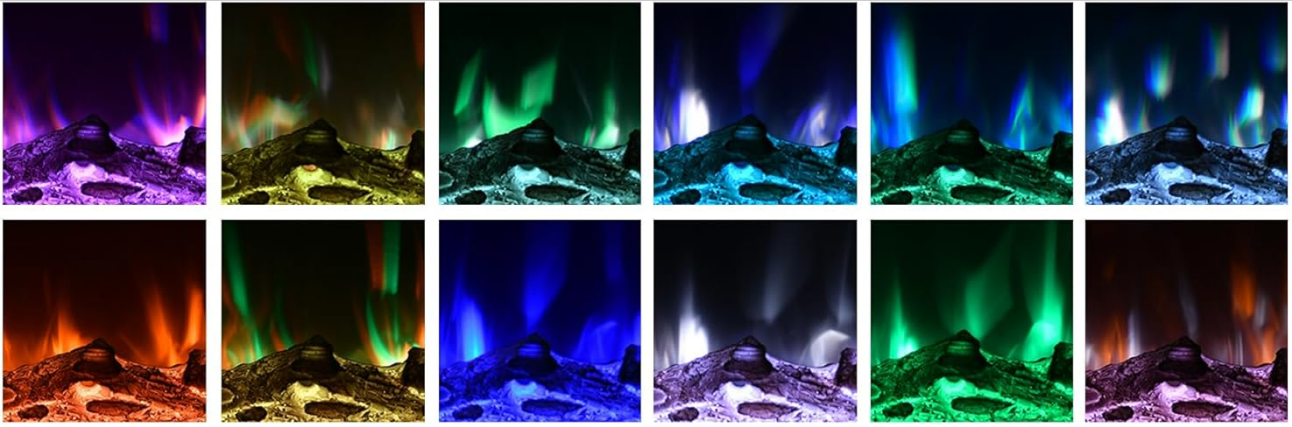
Your Clihome electric fireplace can be controlled via the included remote control or the touch screen panel on the unit.

### 6.1 Power On/Off

Press the power button on the remote or touch panel to turn the fireplace on or off.

### 6.2 Adjusting Flame Colors and Brightness

The fireplace offers 12 different flame colors and 5 levels of flame brightness. Use the dedicated flame color and brightness buttons on the remote or touch panel to cycle through options and select your preferred setting.



## 12 color flames, 5 levels of flame adjustment



Figure 7: Available Flame Colors and Brightness Levels

### 6.3 Heating Modes and Timer

The fireplace features two heating modes: 750W and 1500W, allowing you to adjust the heat output for comfort and energy saving. A timer function can be set for 1-8 hours, after which the unit will automatically turn off.

Your browser does not support the video tag.

Video 1: Demonstration of flame color changes, heating modes, and timer settings using the remote control.

## 7. MAINTENANCE

---

To ensure the longevity and optimal performance of your electric fireplace, follow these maintenance guidelines:

- **Cleaning:** Disconnect power before cleaning. Use a soft, damp cloth to wipe the exterior surfaces. Do not use abrasive cleaners or sprays.
- **Ventilation:** Ensure the air intake and exhaust vents are clear of dust and debris to prevent overheating.
- **Storage:** If storing the fireplace for an extended period, ensure it is clean and dry, and store it in a cool, dry place.

## 8. TROUBLESHOOTING

If you encounter issues with your fireplace, refer to the following common problems and solutions:

Problem	Possible Cause	Solution
Fireplace does not turn on.	No power, power cord not plugged in, circuit breaker tripped.	Check power outlet, ensure cord is securely plugged in, reset circuit breaker.
No heat output.	Heater function is off, thermostat setting is too low, overheating protection activated.	Activate heater function, increase thermostat setting, allow unit to cool down if overheated.
Flame effect is not working.	Flame effect is off, LED lights are faulty.	Activate flame effect, contact customer support if lights are faulty.
Remote control not working.	Batteries are dead, remote is too far from unit, sensor is obstructed.	Replace batteries, move closer to the unit, clear any obstructions from the sensor.

## 9. WARRANTY AND SUPPORT

Clihome stands behind the quality of its electric fireplaces. If you encounter any problems with your product, our customer service team is ready to provide a satisfactory solution within 24 hours. Please refer to your purchase documentation for specific warranty terms and contact information.

For further assistance, please visit the [Clihome Store on Amazon](#).