

[Manuals.plus](#) /

> [Lionelo](#) /

> Lionelo Lora XL Portable Bed Rail Instruction Manual

Lionelo LO-LORA XL GREY STONE

Lionelo Lora XL Portable Bed Rail Instruction Manual

Model: LO-LORA XL GREY STONE

INTRODUCTION

Thank you for choosing the Lionelo Lora XL Portable Bed Rail. This manual provides important information regarding the safe and proper use, installation, and maintenance of your bed rail. Please read this manual carefully before use and keep it for future reference.

The Lionelo Lora XL bed rail is designed to provide a secure and comfortable sleeping environment for children, especially when co-sleeping. Its lightweight yet stable construction makes it ideal for both home use and travel.

IMPORTANT SAFETY WARNINGS

FAILURE TO FOLLOW THESE WARNINGS AND INSTRUCTIONS COULD RESULT IN SERIOUS INJURY OR DEATH.

- This bed rail is suitable for children aged **18 months to 5 years**.
- The bed rail is intended for domestic use only.
- It is **not suitable** for elderly or disabled individuals.
- Ensure the bed rail is securely installed under the mattress. The **StandSafe lock** prevents spontaneous folding of the structure.
- The bed rail features a soft foam protection on the upper part and rounded edges to prevent injuries, especially if the child leans against it.
- The **double locking mechanism** prevents accidental opening.
- **Mattress Height Requirements:** Minimum 12 cm (4.7 inches), Maximum 25 cm (9.8 inches).
- **Mattress Width Requirements:** Minimum 100 cm (39.4 inches), Maximum 180 cm (70.9 inches).
- **Bed Length Requirements:** 200-220 cm (78.7-86.6 inches).
- Always ensure the bed rail is properly engaged and locked before leaving the child unattended.
- Regularly check all components for wear and tear. Discontinue use if any part is damaged.

PRODUCT FEATURES

- **Portable Design:** Easy folding system for convenient storage and transport. Includes a travel bag.
- **Secure Installation:** Simple and intuitive installation under the mattress using SecureBelts, without requiring tools or modifications to furniture.
- **StandSafe Protection:** Anti-folding mechanism to prevent accidental collapse.
- **Robust Frame:** Stable steel frame with rounded edges and additional soft foam protection on the upper part for enhanced child safety.
- **Adjustable Angle:** The fall protection can be adjusted in inclination from 0 to 180 degrees.
- **Washable Cover:** The upholstery can be removed and hand-washed for easy cleaning.

SETUP AND INSTALLATION

Follow these steps for quick and secure installation of your Lionelo Lora XL bed rail:

1. **Unpack the Bed Rail:** Remove all components from the packaging.
2. **Prepare the Bed:** Ensure your bed and mattress meet the specified dimensions (mattress height 12-25 cm, mattress width 100-180 cm, bed length 200-220 cm).
3. **Position the Bed Rail:** Place the bed rail frame on the bed base, next to the mattress, where you intend to install it.
4. **Attach SecureBelts:** Use the two comfortable SecureBelt straps to secure the bed rail. These straps go under the mattress and attach to the opposite side of the bed frame or mattress. Ensure they are pulled taut for a firm fit.

Lora XL



- **CONCEPTION LÉGÈRE MAIS STABLE**
- **2 SANGLES D'ATTACHE ASSURANT UNE FIXATION SÛRE**

Image: The bed rail showing its lightweight design and the SecureBelt attachment straps, alongside its convenient carry bag.

5. **Engage StandSafe Lock:** Ensure the StandSafe anti-folding protection mechanism is fully engaged and locked. This prevents the rail from spontaneously folding down.

Lora XL



STANDSAFE - PROTECTION ANTI-PLIAGE

Image: Detail of the StandSafe mechanism, highlighting its anti-folding protection feature.

6. **Test Stability:** Gently push and pull the bed rail to ensure it is firmly attached and does not wobble. It should be stable and secure.
7. **Check Mattress Fit:** Verify that the mattress sits properly on the bed rail's base without creating gaps where a child could become entrapped.

No drilling or permanent modifications to your bed are required for installation.

OPERATING INSTRUCTIONS

The Lionelo Lora XL bed rail is designed for ease of use while ensuring maximum safety.

- **Raising the Bed Rail:** Lift the bed rail until it clicks into its upright, locked position. Ensure the double locking mechanism is engaged.
- **Lowering the Bed Rail:** To access the child or make the bed, disengage the double locking mechanism (usually by pressing buttons on both sides) and gently lower the bed rail. The rail can be inclined from 0 to 180 degrees for convenience.

- **Folding for Storage/Travel:** The bed rail can be quickly folded to compact dimensions (78 cm x 45 cm). Disengage the StandSafe lock and fold the rail. Place it in the included travel bag for easy transport.



Image: The Lionelo Lora XL bed rail shown in both its extended and compact folded states, along with its carry bag, demonstrating its portability.

Lora XL

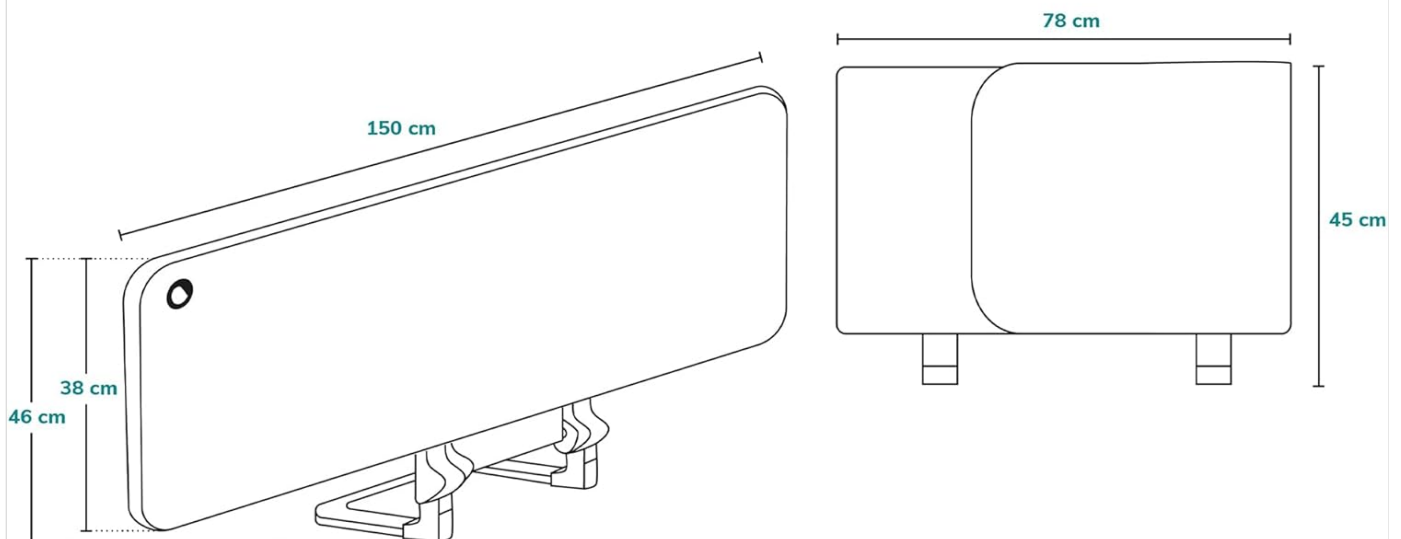


Image: Technical diagram illustrating the dimensions of the Lora XL bed rail when unfolded (150 cm length, 45 cm height) and folded (78 cm x 45 cm).

MAINTENANCE AND CARE

- **Cleaning the Fabric:** The upholstery can be removed for cleaning. Hand wash the fabric cover with mild soap and water. Do not bleach or tumble dry. Allow to air dry completely before reattaching.
- **Cleaning the Frame:** Wipe the steel frame with a damp cloth. Do not use abrasive cleaners or solvents.
- **Regular Inspection:** Periodically check all parts, including the frame, fabric, straps, and locking mechanisms, for any signs of wear, damage, or loose connections.
- **Storage:** When not in use, fold the bed rail and store it in its travel bag in a dry, cool place, away from direct sunlight.

TROUBLESHOOTING

Problem	Possible Cause	Solution
Bed rail is not stable or wobbles.	SecureBelts are not taut enough or incorrectly installed. Mattress dimensions are not compatible.	Ensure SecureBelts are pulled tightly and correctly routed under the mattress. Verify mattress height (12-25 cm) and width (100-180 cm) meet requirements.
Bed rail does not lock in upright position.	StandSafe lock not fully engaged. Obstruction in the locking mechanism.	Lift the rail firmly until you hear a click, ensuring the StandSafe mechanism is fully engaged. Check for any debris or fabric obstructing the lock.

Problem	Possible Cause	Solution
Difficulty folding the bed rail.	StandSafe lock is still engaged.	Ensure the StandSafe anti-folding protection is disengaged before attempting to fold the rail.
Fabric cover is dirty.	Normal use.	Remove the fabric cover and hand wash it with mild soap and water. Air dry completely.

SPECIFICATIONS

Attribute	Detail
Brand	Lionelo
Model Number	LO-LORA XL GREY STONE
Color	Grey 150x45
Product Dimensions (L x W x H)	150 x 5.05 x 45 cm (unfolded)
Folded Dimensions (L x W)	78 cm x 45 cm
Material	Alloy Steel
Item Weight	2.6 Kilograms
Recommended Age Range	18 months to 5 years
Minimum Mattress Height	12 cm
Maximum Mattress Height	25 cm
Minimum Mattress Width	100 cm
Maximum Mattress Width	180 cm
Bed Length Compatibility	200-220 cm
Care Instructions	Wipe with a damp cloth (frame), Hand wash (fabric cover)

WARRANTY AND SUPPORT

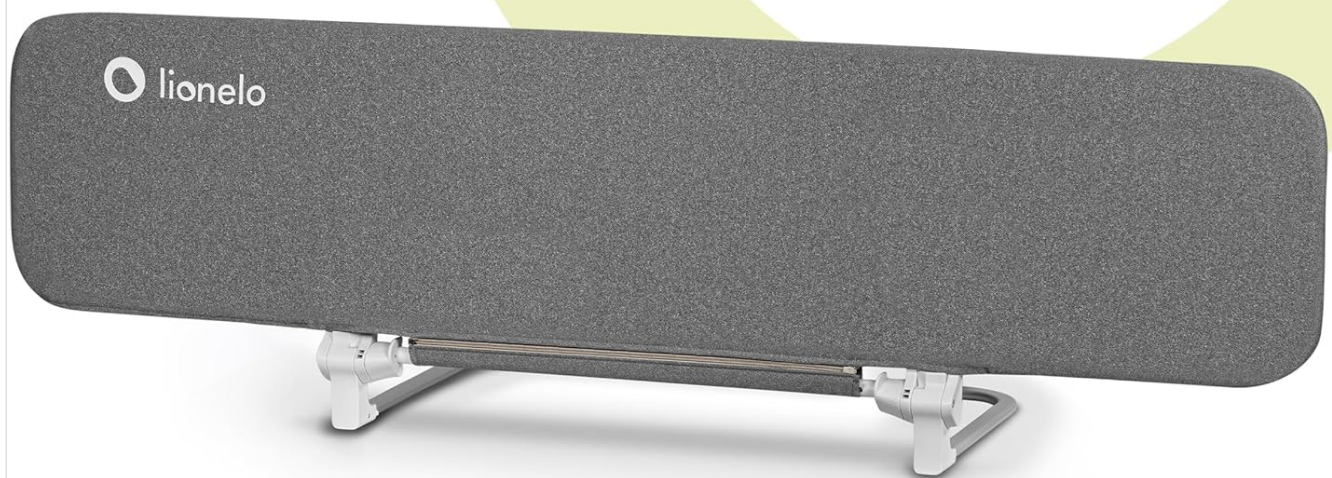
Information regarding specific warranty terms and customer support contact details for the Lionelo Lora XL Portable Bed Rail is not available in the provided product data. Please refer to the product packaging or the manufacturer's official website for the most up-to-date warranty information and support contacts.

For general inquiries or assistance, you may visit the [Lionelo brand store on Amazon](#).

ADDITIONAL PRODUCT INFORMATION

Lora XL

Pour les enfants
de 18 mois
à 5 ans



Barrière de protection

Image: The Lora XL bed rail, emphasizing its suitability for children aged 18 months to 5 years.

Lora XL



Image: A mother and baby near the Lora XL bed rail, illustrating its safe and stable frame with rounded edges for child protection.

Lora XL

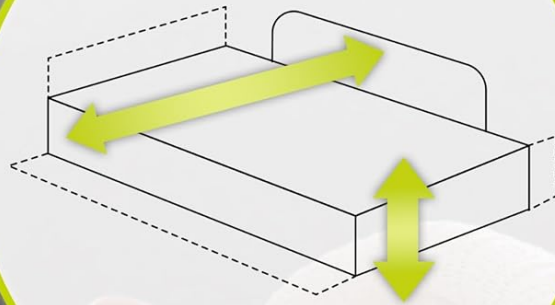


- **CONSTRUCTION SÛRE**
- **PAS D'ARÊTES VIVES**

Image: A close-up view of the Lora XL bed rail's edge, demonstrating its safe construction with no sharp edges.

Lora XL

100cm-180cm



12cm-25cm

- **HAUTEUR MIN-MAX DU MATELAS: 12CM-25CM**
- **LARGEUR MIN-MAX DU MATELAS : 100CM-180CM**

Image: A baby sleeping safely next to the Lora XL bed rail, with an overlay indicating the minimum and maximum mattress height (12-25cm) and width (100-180cm) requirements.