

## Manuals+

[Q & A](#) | [Deep Search](#) | [Upload](#)

Manuals.plus /

› [MekedeTech](#) /

› MekedeTech M6 Pro Plus Android Car Radio User Manual

## MekedeTech M6ProPlus

# MekedeTech M6 Pro Plus Android Car Radio User Manual

Model: M6ProPlus (10.36-inch, 4+64G)

## 1. INTRODUCTION

---

This manual provides detailed instructions for the installation, operation, and maintenance of your MekedeTech M6 Pro Plus Android Car Radio. Please read this manual thoroughly before using the device to ensure proper functionality and to maximize your user experience. Keep this manual for future reference.

## 2. PRODUCT OVERVIEW

---

The MekedeTech M6 Pro Plus is an advanced in-dash car stereo system featuring an Android 12 operating system. It is designed to provide comprehensive multimedia and navigation capabilities for your vehicle.



Image 2.1: Front view of the MekedeTech M6 Pro Plus Android Car Radio.

### Key Features:

- **Operating System:** Android 12 with an 8-core processor (2 cores ARM Cortex A75 + 6 cores ARM Cortex A55) for responsive performance.
- **Display:** 10.36-inch 2000x1200 QLED full-fit screen, offering clear visuals and reduced light reflection.
- **Memory:** 4GB RAM and 64GB internal storage.
- **Connectivity:** Qualcomm 3031 Bluetooth 5.1 chip for stable connections, Wireless CarPlay, and Android Auto support.
- **Audio:** DSP 36-band equalizer and DTS 4.1/5.1 channel surround sound systems for enhanced audio output.
- **Control:** Supports intelligent voice control for hands-free operation.
- **Additional Features:** Integrated GPS, 4G LTE support, FM/AM RDS Radio, Split Screen functionality, AHD reversing camera compatibility, and ADAS DVR anti-collision warning support.

### 3. PACKAGE CONTENTS

Verify that all items listed below are included in your product package. If any items are missing or damaged, please contact customer support.

# Package Contents



Host Device



Instruction manual



Packaging Box



RCA Cable



Reversing camera



Fakra GPS Antenna



Fakra 4G Antenna



MIC



USB Plug x3

Image 3.1: Visual representation of the package contents.

- 10.36 inch touch screen (Host Device)
- Power cable
- USB cable
- RCA cable
- Reversing cable
- Bracket (2 pieces)
- Fakra GPS Antenna
- Fakra 4G Antenna
- Microphone (MIC)
- USB Plug x3
- Instruction manual
- Packaging Box

## 4. SETUP AND INSTALLATION

Professional installation is recommended for this device. Ensure the vehicle's power is disconnected before beginning installation. Refer to your vehicle's specific wiring diagram for accurate connections.

## 4.1 Wiring Diagram

The following diagram illustrates the general connection points for the car radio. Specific wiring may vary based on your vehicle model. If your car requires a CANBUS module, please ensure it is correctly connected.

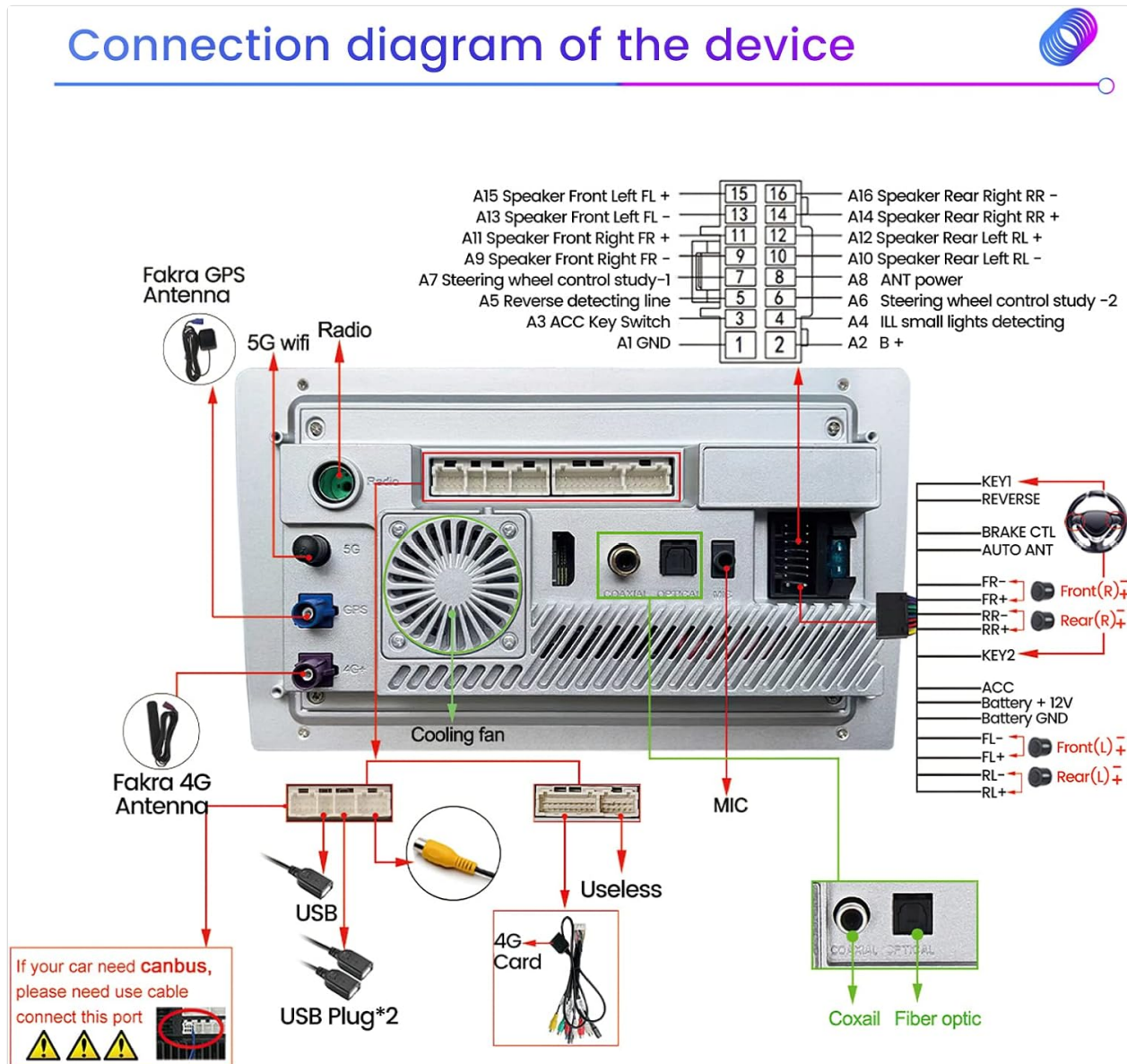


Image 4.1: Connection diagram of the device.

- **Power Connections:** Connect ACC, Battery +12V, and Battery GND wires to the corresponding vehicle power sources.
- **Speaker Outputs:** Connect the speaker wires (Front Left FL+, FL-, Front Right FR+, FR-, Rear Left RL+, RL-, Rear Right RR+, RR-) to your vehicle's speakers.
- **Antennas:** Connect the Fakra GPS Antenna and Fakra 4G Antenna to their respective ports.
- **USB Ports:** Connect the provided USB cables for external devices or data transfer.
- **RCA Connections:** Use the RCA cable for audio/video input/output, including subwoofer output.
- **Reversing Camera:** Connect the reversing cable and an AHD reversing camera (not included) for rear-view functionality.

- **Steering Wheel Control:** Connect KEY1 and KEY2 wires for steering wheel control integration.
- **External Microphone:** Connect the external microphone for improved voice command and call quality.

## 5. OPERATING INSTRUCTIONS

### 5.1 Power On/Off and Basic Interface

Press the power button to turn the unit on or off. The main screen displays time, date, speed, and quick access icons for navigation, video player, radio, music player, and settings. The touch screen interface allows for intuitive control.



Image 5.1: Main user interface.

### 5.2 Wireless CarPlay and Android Auto

The device supports both Wireless CarPlay and Android Auto for seamless smartphone integration.

#### 5.2.1 Wireless CarPlay Connection Steps:

1. Connect your iPhone to the car radio via Bluetooth.
2. On the car radio, click on the "Car Link" application.
3. Wait for the connection to establish. CarPlay can also be connected via a USB cable.



Image 5.2: Wireless CarPlay connection guide.

### 5.2.2 Wired Android Auto Connection Steps:

1. Connect your Android phone to the car radio using a USB cable.
2. On the car radio, click on the "Car Link" application.
3. Wait for the connection to establish.

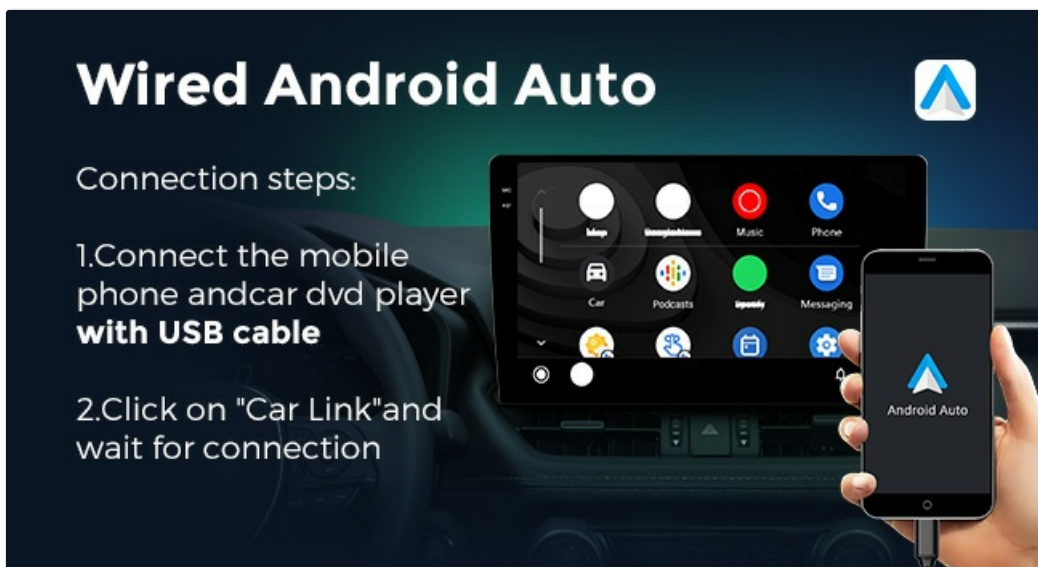


Image 5.3: Wired Android Auto connection guide.

### 5.3 Voice Control

The device supports intelligent voice control for hands-free operation, enhancing driving safety and convenience. You can use voice commands for navigation, music playback, calls, and other functions.

## Voice Control

Intelligent voice control without hands operation, safer driving!  
More sensitive voice recognition, more extensive recognition

"Call 911 Now"

"Turn on the radio"

"Navigate to the airport"

"Close Screen"

"Go Home"

"Go to a nearby gas station"

"Dodge the congestion"

"Close navigation"

"Go to los angeles"

"Play Music"

## 4G super speed experience

Connected to 4G, you can watch live streams, listen to music online, play games, watch movies, and enjoy a true 4G rush experience at any time.

SIM  
4G

## Carplay + Android Auto

car dvd player comes with carplay function  
no need to purchase additional accessories

12:33  
4G

Phone Music Maps Messages

Now Playing Car Podcasts

Carplay

Android Auto

## Built-in high power fan

The cooling fan can deal with and solve the abnormal operation caused by high temperature in summer and long-term use of the machine , such as restart , abnormal touch , abnormal function , etc

Image 5.4: Examples of voice commands.

### 5.4 Radio (FM/AM RDS)

Access the FM/AM radio application to tune into your favorite stations. The RDS (Radio Data System) feature provides additional information where available.

**FM / AM RDS Radio**  
 supports automatic search and manual search , You can drag the icon of target station and replace it into channel list  
**Power amplifier : TDA7850**  
**Radio : TDA7708**

The screenshot shows a radio application interface with a central frequency display set to 87.50 MHz. To the right is a list of stations, all labeled 87.50. The interface includes navigation arrows, a search icon, and a volume control icon.

**Support ADAS DVR**  
**Anti-collision warning**  
**driving recorder**

Front vehicle distance prediction , front vehicle anti-collision warning and lane departure warning make driving safer .

The screenshot displays a simulated road view with a red car in the center. A blue car ahead is labeled with a 9m distance. Lane markings are shown on the road. A 'REC' indicator is visible in the top left corner.

**Support split screen**

Support for two applications to be displayed on the screen at the same time which makes the operation more convenient and faster

The screenshot shows a split-screen view. The left side displays the radio interface with 87.50 MHz. The right side shows a navigation map with a route highlighted in green and a search bar at the top.

**AHD HD reversing**

The picture quality of AHD rear-view video is clearer than that of ordinary cameras.

The diagram shows a white car with a blue glow underneath. To the right, there are two inset images: one showing a rear-view camera feed with lane markings and a 'Buy Now' button, and another showing a 3D rendering of a car with a camera lens. A note at the bottom states 'Note: Rear View Camera is not included'.

Image 5.5: Radio interface.

## 5.5 GPS Navigation

The unit features a built-in global positioning system for accurate navigation. It supports omni-directional map display and real-time traffic conditions.





Image 5.6: GPS navigation display.

## 5.6 DSP 36-Band EQ and DTS Sound

Customize your audio experience with the 36-band Digital Sound Processor (DSP) equalizer. The DTS 4.1/5.1 channel surround sound systems provide a dynamic and immersive audio environment.

**Qualcomm BT 5.1**

The new generation of Qualcomm Bt 5.1 technology, compared with Bt 5.0 lower power consumption, faster transmission speed. No delay in calls, strong anti-interference and more stable signal

**5.0** → **5.1**

Connection range	Stability	Transmission speed
Upgraded by 50%	Upgraded by 75%	Upgraded by 140%

**DSP 36-band EQ**  
High precision professional tuning

Compared to the 32-segment tuning, 36-segment can give you the effect you want more delicate and more accurate! Create a real sense of 'stage' in the car!

**DTS 4.1/5.1**  
Channel surround systems

DTS uses 4.1 and 5.1 channel surround systems, which have a more perfect sound than Dolby; the sound is more dynamic, smoother and gives you a feeling of being wrapped in sound.

Image 5.7: DSP equalizer and DTS sound features.

### 5.7 Split Screen Function

Utilize the split-screen feature to display two applications simultaneously, such as navigation and music, for enhanced convenience.

**FM / AM RDS Radio**

supports automatic search and manual search , You can drag the icon of target station and replace it into channel list

Power amplifier : TDA7850  
Radio : TDA7708

**Support ADAS DVR  
Anti-collision warning  
driving recorder**

Front vehicle distance prediction , front vehicle anti-collision warning and lane departure warning make driving safer .

**Support split screen**

Support for two applications to be displayed on the screen at the same time which makes the operation more convenient and faster

**AHD HD reversing**

The picture quality of AHD rear-view video is clearer than that of ordinary cameras.

**HD imaging**

**Buy Now**

Note: Rear View Camera is not included

Image 5.8: Split screen in use.

## 5.8 4G Connectivity

Insert a 4G SIM card (not included) into the designated slot to enable internet access, allowing for online streaming, app downloads, and real-time data services.

## Voice Control

Intelligent voice control without hands operation, safer driving!  
More sensitive voice recognition, more extensive recognition

"Call 911 Now"

"Turn on the radio"

"Play Music"

"Go to los angeles"

"Close navigation"

"Dodge the congestion"

"Go Home"

"Go to a nearby gas station"

"Close Screen"

"Navigate to the airport"

## 4G super speed experience

Connected to 4G, you can watch live streams, listen to music online, play games, watch movies, and enjoy a true 4G rush experience at any time.

SIM  
4G

## Carplay + Android Auto

car dvd player comes with carplay function  
no need to purchase additional accessories

12:33  
4G

Phone Music Maps Messages

Now Playing Car Podcasts

Carplay

Android Auto

## Built-in high power fan

The cooling fan can deal with and solve the abnormal operation caused by high temperature in summer and long-term use of the machine , such as restart , abnormal touch , abnormal function , etc

Image 5.9: 4G connectivity feature.

## 5.9 AHD Reversing Camera Support

The unit supports AHD (Analog High Definition) reversing cameras for clear rear-view imaging. A reversing camera is not included and must be purchased separately.

**FM / AM RDS Radio**

supports automatic search and manual search , You can drag the icon of target station and replace it into channel list

Power amplifier : TDA7850  
Radio : TDA7708

**Support ADAS DVR Anti-collision warning driving recorder**

Front vehicle distance prediction , front vehicle anti-collision warning and lane departure warning make driving safer .

**Support split screen**

Support for two applications to be displayed on the screen at the same time which makes the operation more convenient and faster

**AHD HD reversing**

The picture quality of AHD rear-view video is clearer than that of ordinary cameras.

**HD imaging**

**Buy Now**

Note: Rear View Camera is not included

Image 5.10: AHD reversing camera feature.

## 5.10 ADAS DVR Anti-collision Warning

The device supports ADAS (Advanced Driver-Assistance Systems) DVR for anti-collision warning and driving recording. This feature requires a compatible DVR camera (not included).



Image 5.11: ADAS DVR feature.

## 6. MAINTENANCE

To ensure the longevity and optimal performance of your MekedeTech M6 Pro Plus car radio, follow these maintenance guidelines:

- **Cleaning:** Use a soft, dry cloth to clean the screen and exterior. For stubborn smudges, a slightly damp cloth with a mild, non-abrasive cleaner can be used, but avoid direct spraying onto the unit.
- **Temperature:** Avoid exposing the unit to extreme temperatures, direct sunlight for prolonged periods, or high humidity.
- **Ventilation:** Ensure that the cooling fan and ventilation openings are not obstructed to prevent overheating.
- **Software Updates:** Periodically check for and install official software updates to improve performance and add new features.

## 7. TROUBLESHOOTING

If you encounter issues with your device, refer to the following common problems and solutions. If the problem persists, contact customer support.

Problem	Possible Cause	Solution
Unit does not power on.	Incorrect power wiring, blown fuse, vehicle power issue.	Check power cable connections (ACC, B+, GND). Verify vehicle fuse. Consult a professional installer.
No sound or distorted audio.	Incorrect speaker wiring, volume too low, audio settings misconfigured.	Check speaker connections. Adjust volume. Reset audio settings or EQ.
Touch screen unresponsive or requires multiple touches.	Software glitch, screen calibration issue, physical damage.	Restart the unit. Check for software updates. If persistent, contact support.
Wireless CarPlay/Android Auto not connecting.	Bluetooth not paired, "Car Link" app not launched, phone settings.	Ensure Bluetooth is on and paired. Open "Car Link" app. Check phone's CarPlay/Android Auto settings. Try restarting both devices.
GPS signal weak or inaccurate.	GPS antenna obstructed or improperly installed.	Ensure GPS antenna has a clear view of the sky and is securely connected.
Unit occasionally shuts off or restarts.	Power supply instability, overheating, software issue.	Verify stable power connection. Ensure proper ventilation. Check for software updates.

## 8. SPECIFICATIONS

Detailed technical specifications for the MekedeTech M6 Pro Plus Android Car Radio.

Feature	Specification
Model Name	M6ProPlus
Operating System	Android 12
Processor	8-core (2 cores ARM Cortex A75 + 6 cores ARM Cortex A55)
Memory (RAM)	4GB
Storage (ROM)	64GB
Display Size	10.36 Inches
Display Resolution	2000x1200 (2K QLED)
Bluetooth Version	5.1 (Qualcomm 3031 chip)
Audio Output Mode	Stereo, DSP 36-Band EQ, DTS 4.1/5.1 Channel Surround

Feature	Specification
Connectivity Technology	Wireless (Wireless CarPlay, Android Auto), 4G LTE
Voice Command	Supported (Buttons, Microphone, Touchscreen)
Map Type	Worldwide (GPS, GLONASS, BDS)
Item Weight	3.76 pounds
Package Dimensions	11.22 x 6.89 x 4.09 inches
Manufacturer	Shenzhen Mekede Technology Co.,Ltd

## 9. WARRANTY AND SUPPORT

---

MekedeTech products are covered by a manufacturer's warranty. For specific warranty terms and conditions, please refer to the documentation included with your purchase or visit the official MekedeTech website.

For technical assistance, troubleshooting, or any inquiries regarding your MekedeTech M6 Pro Plus Android Car Radio, please contact MekedeTech customer support. Contact information can typically be found on the product packaging, the official website, or through your point of purchase.