

## vidaXL 94165

# vidaXL Bicycle Cargo Trailer Instruction Manual

Model: 94165 | Brand: vidaXL

## 1. PRODUCT OVERVIEW

The vidaXL Bicycle Cargo Trailer, Model 94165, is designed for convenient and efficient transportation of various items by bicycle. Its robust construction and thoughtful design ensure durability and ease of use for a wide range of applications, from daily errands to outdoor adventures.

### Key Features:

- **Robust Construction:** Features a powder-coated iron frame for strength, durability, and resistance to rust, corrosion, and wear.
- **Durable Material:** Made from lightweight, water-resistant Oxford fabric that is resistant to damage and dirt. The fabric is also breathable and naturally wrinkle-resistant.
- **Safe Operation:** Equipped with two large wheels for smooth tracking on various terrains and rear reflectors for enhanced visibility in low-light conditions. A safety flag is included to further increase road safety.
- **Versatile Applications:** Easily attaches to most bicycles, suitable for transporting luggage, plants, tools, groceries, and more.



Figure 1: The vidaXL Bicycle Cargo Trailer in use, attached to a bicycle.

## 2. SETUP AND ASSEMBLY

---

Follow these steps to assemble your vidaXL Bicycle Cargo Trailer. Ensure all components are present before beginning assembly.

### Components:

- Trailer frame (main body)
- Wheels (x2)
- Hitch arm
- Safety flag
- Cover (Oxford fabric)
- Attachment pins and hardware

### Assembly Steps:

1. **Attach the Wheels:** Insert the wheel axles into the designated slots on the trailer frame. Secure them with the provided pins or fasteners. Ensure wheels are firmly attached and spin freely.

2. **Assemble the Hitch Arm:** Connect the hitch arm to the front of the trailer frame. Use the appropriate pins to secure it in place.
3. **Install the Safety Flag:** Insert the safety flag pole into its receptacle on the trailer. The flag enhances visibility during transport.
4. **Attach the Cover:** Place the Oxford fabric cover over the cargo area of the trailer. Secure it using any integrated fasteners or straps to protect your cargo from elements.
5. **Connect to Bicycle:** Attach the hitch arm to your bicycle's rear axle or seat post, depending on the hitch design. Ensure the connection is secure and allows for proper articulation.



Figure 2: Detail of the hitch mechanism for connecting to a bicycle.



Figure 3: The secure attachment pin for the hitch arm.

### 3. OPERATING INSTRUCTIONS

---

To ensure safe and effective use of your cargo trailer, please observe the following guidelines:

- **Loading:** Distribute weight evenly within the cargo area. Do not exceed the maximum weight capacity specified in the 'Specifications' section. Secure items to prevent shifting during transit.
- **Attachment:** Always ensure the trailer is securely attached to your bicycle before riding. Periodically check the hitch connection during longer journeys.
- **Riding:** Be aware that the trailer adds length and weight to your bicycle, affecting handling, braking, and turning radius. Practice riding with the empty trailer in a safe area before carrying heavy loads.
- **Visibility:** The included safety flag and rear reflectors are crucial for visibility. Ensure they are clean and unobstructed, especially when riding in low light or heavy traffic.
- **Parking:** When parking, ensure the trailer is stable and will not tip over, especially if loaded.



Figure 4: The cargo trailer loaded and ready for use, featuring the safety flag.

## 4. MAINTENANCE

Regular maintenance will prolong the life and ensure the safe operation of your vidaXL Bicycle Cargo Trailer.

- **Cleaning:** Clean the Oxford fabric cover with a damp cloth and mild soap. The iron frame can be wiped down with a damp cloth. Avoid harsh chemicals.
- **Wheel Inspection:** Periodically check the wheels for damage, proper inflation (if applicable), and secure attachment. Ensure the wheel bearings are free of debris and rotate smoothly.
- **Frame Inspection:** Inspect the iron frame for any signs of damage, bends, or rust. Address any issues promptly to maintain structural integrity.
- **Hitch Mechanism:** Keep the hitch mechanism clean and lubricated to ensure smooth attachment and detachment. Check for wear or damage.
- **Storage:** Store the trailer in a dry place, away from direct sunlight and extreme temperatures, when not in use.



Figure 5: Front view of the trailer, highlighting the frame and wheels for inspection.



Figure 6: Rear view of the trailer, showing reflectors important for safety and maintenance.

## 5. TROUBLESHOOTING

This section addresses common issues you might encounter with your bicycle cargo trailer.

Problem	Possible Cause	Solution
Trailer wobbles or feels unstable	Loose hitch connection; uneven load distribution; damaged wheel.	Ensure hitch is securely fastened. Redistribute cargo evenly. Inspect wheels for damage or loose components.
Difficulty attaching/detaching hitch	Hitch mechanism is dirty or corroded; incorrect alignment.	Clean and lubricate the hitch mechanism. Ensure proper alignment with the bicycle attachment point.
Reflectors or flag not visible	Dirty or obstructed; missing.	Clean reflectors. Ensure flag is upright and not covered by cargo. Replace if missing or damaged.

## 6. SPECIFICATIONS

Detailed technical specifications for the vidaXL Bicycle Cargo Trailer, Model 94165.

- **Product Dimensions (L x W x H):** 122 x 53 x 33 cm (48 x 20.9 x 13 inches)
- **Item Weight:** 6 kg (13.2 lbs)
- **Frame Material:** Powder-coated Iron
- **Cargo Area Material:** Oxford Fabric
- **Color:** Green
- **Model Number:** 94165
- **ASIN:** B0CCY2X45Z

- **Manufacturer:** vidaXL

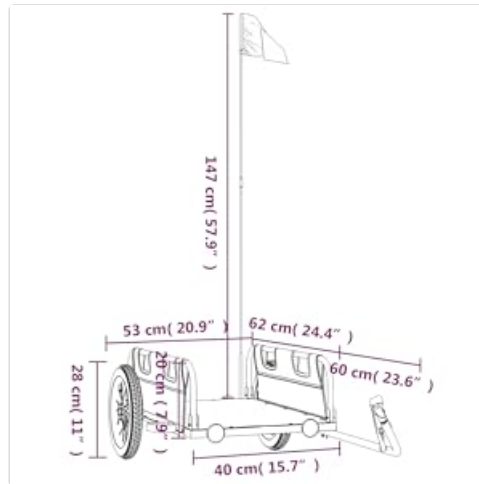


Figure 7: Dimensional drawing of the cargo trailer.

## 7. WARRANTY AND SUPPORT

For information regarding product returns, defects, or damages, please refer to the retailer's return policy. Typically, products can be returned within 30 days of receipt if you change your mind. For defective or damaged products, specific help pages are available. For purchases made through a Marketplace seller, consult their specific policies.

For further assistance or inquiries, please contact vidaXL customer support or refer to the official vidaXL website.