

AIERBOZ YL-57

AIERBOZ YL-57 Fingerprint Door Lock Instruction Manual

Model: YL-57

INTRODUCTION

This manual provides detailed instructions for the installation, setup, and operation of your AIERBOZ YL-57 Fingerprint Door Lock. Please read this manual thoroughly before installation and use to ensure proper function and safety. This smart door lock offers multiple unlocking methods including biometric fingerprint, passcode, and mechanical keys, designed for enhanced security and convenience in various settings such as homes, offices, and apartments.

PRODUCT FEATURES

- **3-in-1 Unlocking Methods:** Unlock using biometric fingerprint (up to 20 fingerprints), passcode (up to 15 sets), or mechanical keys for emergency access. Features a 3-second auto-lock function.
- **Adjustable Latch:** Compatible with most standard US doors, featuring an adjustable backset of 2-3/8" (60mm) and 2-1/8" (70mm). Suitable for door thicknesses between 1.26 to 1.89 inches.
- **Durable Construction:** Made from sturdy zinc alloy. The biometric sensor offers a 99% recognition rate and 0.2-second unlock speed.
- **Intelligent Modes:** Includes "Passage Mode" for temporary unrestricted access and "Silent Mode" to disable sound alerts.
- **Low Battery Reminder:** A red light flashes to indicate low battery, allowing timely replacement. The sliding keyboard illuminates for easy code entry in low light conditions.



Image: Overview of the AIERBOZ YL-57 Fingerprint Door Lock's multifunctionality.



Image: Detailed view of the lock's upgraded biometric capabilities.

PACKAGE CONTENTS

The AIERBOZ YL-57 Fingerprint Door Lock package includes all necessary installation accessories and the following components:

- Fingerprint Door Knob (Exterior and Interior Assemblies)
- Adjustable Latch
- Strike Plate
- Mounting Screws

- Mechanical Keys
- Screwdriver (for installation)
- Instruction Manual

INSTALLATION

Follow these steps to install your AIERBOZ YL-57 Fingerprint Door Lock. No professional locksmith is required.

1. Prepare the Door

Ensure your door meets the specified dimensions: door thickness between 1.26 to 1.89 inches, and an adjustable backset of 2-3/8" (60mm) or 2-1/8" (70mm).



FIT STANDARD DOOR

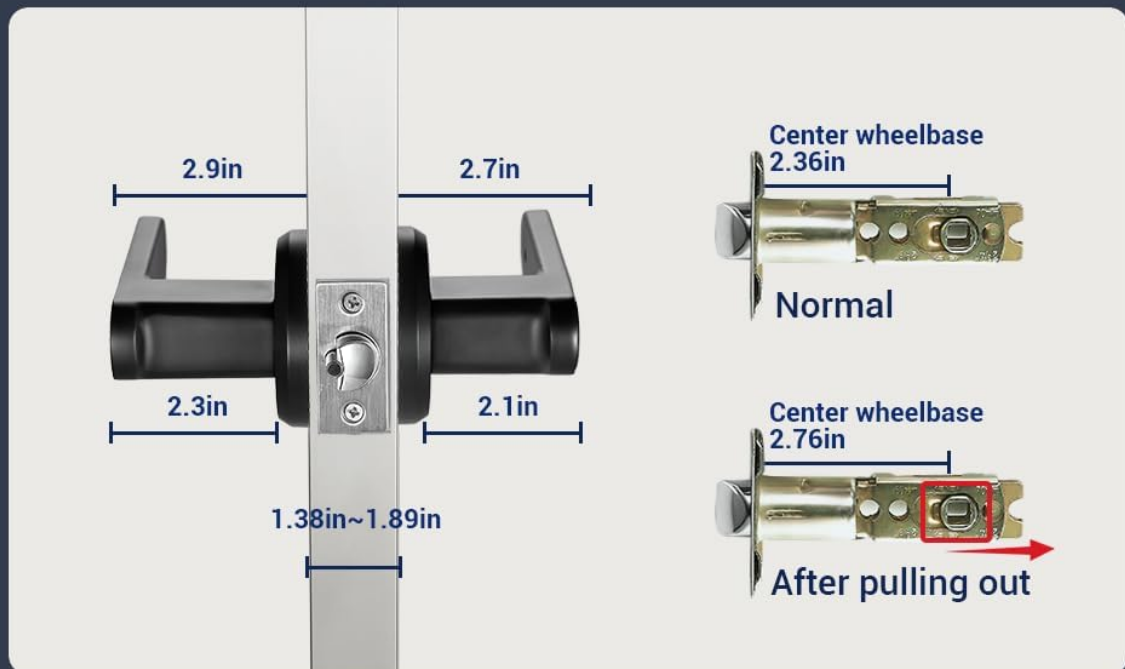


Image: Door compatibility and dimensions for installation.

2. Install the Latch and Lock Assemblies

The installation video below provides a visual guide. Key steps include:

Your browser does not support the video tag.

Video: This video demonstrates the complete installation process for the AIERBOZ YL-57 Fingerprint Door Lock, including preparing the latch and mounting the lock assemblies.

1. First, remove the back cover screw from the lock assembly.
2. Then remove the middle two long screws to slowly separate the two lock bodies.
3. Adjust the latch according to your door's backset (60mm or 70mm).
4. Install the latch into the door frame and secure it with screws.
5. Align the power cord through the keyhole.
6. Connect the power cord to the battery box.
7. Insert the battery box into the lock body.
8. Secure the lock assemblies with screws.

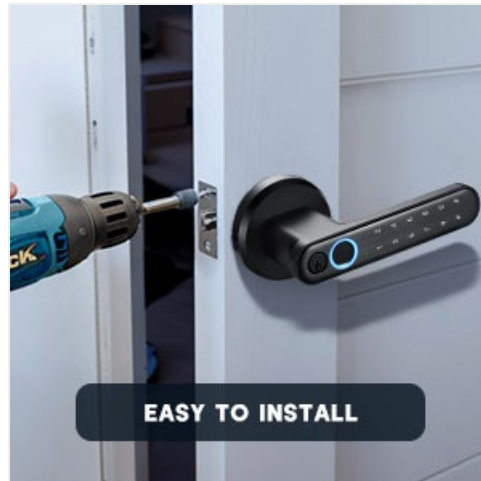


Image: The lock is designed for easy installation, often requiring minimal tools.

SETUP AND USER MANAGEMENT

After installation, you need to set up the administrator and user access methods. The video below provides a visual guide for these procedures.

Your browser does not support the video tag.

Video: This video provides a guide on how to set up and manage users for the AIERBOZ YL-57 Fingerprint Door Lock.

1. Create Administrator

1. Slide your finger on the keyboard area to turn on the keyboard light.
2. Enter the command ***0#**.
3. Enter a group of 4-12 digit codes **+##**, and then repeat the code **+##**. (Example administrator password: 1314)
4. Then use your finger to collect 6 fingerprints of different lengths on the fingerprint collector.

2. Create Password User

1. Slide your finger on the keyboard area to turn on the keyboard light.
2. Enter the command ***1#**.
3. Enter the administrator password. (Example admin password: 1314)
4. Enter a group of 4-12 digits password **+##**, and enter the password again **+##**. (Example user password: 3134)

3. Create Fingerprint User

1. Slide your finger on the keyboard area to turn on the keyboard light.
2. Enter the command *2#.
3. When the fingerprint or password of the main administrator is entered, the fingerprint collector will light up blue.
4. Then use your finger to collect 6 fingerprints of different lengths on the fingerprint collector.

4. Change Password

1. Slide your finger on the keyboard area to turn on the keyboard light.
2. Enter the command *3#.
3. Enter the original password + "#". (Example password: 3134)
4. Enter the new password + "#", and then enter the new password again + "#". (Example New User Password: 1414)

5. Delete Password

1. Slide your finger on the keyboard area to turn on the keyboard light.
2. Enter the command *4#.
3. Enter the fingerprint or password administrator. (Example administrator password: 1314)
4. The door lock will beep ten times to confirm. Note: All password users will be deleted.

6. Delete Fingerprint

1. Slide your finger on the keyboard area to turn on the keyboard light.
2. Enter the command *5#.
3. Enter the fingerprint or password administrator. (Example administrator password: 1314)
4. The door lock will beep ten times to confirm. Note: All fingerprint users will be deleted. (Administrator fingerprint still retained)

OPERATING INSTRUCTIONS

The AIERBOZ YL-57 offers multiple ways to operate and secure your door.

Unlocking Methods

- **Fingerprint Unlock:** Place your registered finger on the sensor. The lock will unlock in approximately 0.2 seconds.
- **Passcode Unlock:** Enter your registered 4-12 digit passcode followed by the '#' key.
- **Mechanical Key Unlock:** In case of battery depletion or other issues, use the provided mechanical keys to unlock the door.

3 UNLOCKING WAYS

Advanced 3-in-1 fingerprint door lock: Biometric Fingerprint,
Pass Word, Emergency Spare Key.

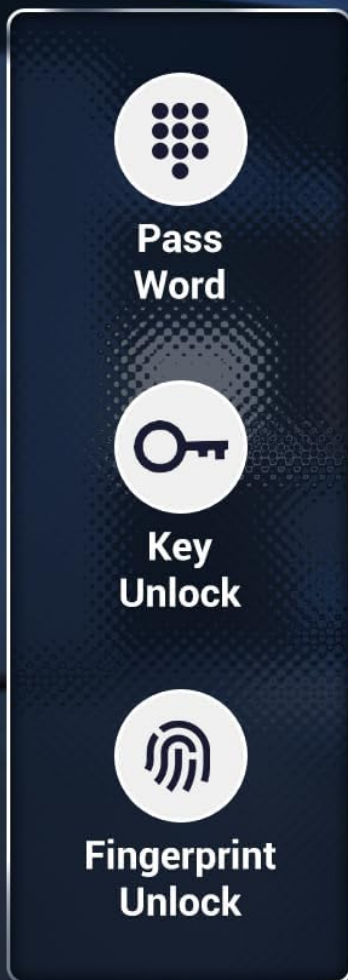


Image: Visual representation of the three primary unlocking methods.

Special Modes

- **Passage Mode:** This mode allows the door to remain unlocked for continuous access without requiring a fingerprint or passcode.

1. Slide your finger on the keyboard area to turn on the keyboard light.
2. Enter the command *6#.
3. Enter the fingerprint or password administrator, and the door lock will beep twice. (Example admin password: 1314)
4. If you need to close it, please enter*#6#.

- **Silent Mode:** This mode disables all sound alerts from the lock.

1. Slide your finger on the keyboard area to turn on the keyboard light.
2. Enter the command *7#.
3. Enter fingerprint or password administrator, and the lock enters silent mode. (Example admin password: 1314)
4. If you need to close it, please enter*#7#.

- **Anti-Peeping Password:** When using a password to open the door, you can add any number before and after the password (up to 20 digits total) and press # to open the door. Only when there is continuity of your actual password within the 20 digits entered can the verification be successful.

SILENT MODE

Turn on the silent mode and you will hardly notice that the door lock is running, so you can sleep or work undisturbed.



Image: Silent Mode allows for quiet operation, ideal for undisturbed environments.

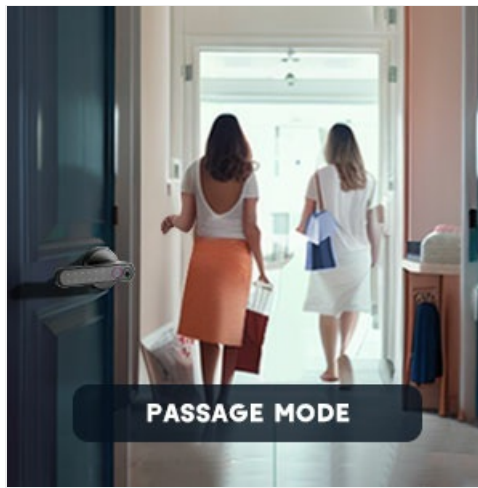


Image: Passage Mode simplifies access for multiple users or during gatherings.

MAINTENANCE

To ensure the longevity and optimal performance of your AIERBOZ YL-57 Fingerprint Door Lock, regular maintenance is recommended.

- **Battery Replacement:** The lock will indicate a low battery with a flashing red light. Replace all four AAA batteries promptly to avoid being locked out. Always use new, high-quality alkaline batteries.
- **Cleaning:** Wipe the lock's surface and fingerprint sensor with a soft, dry cloth. Avoid using abrasive cleaners or solvents that could damage the finish or electronic components.
- **Keyhole Maintenance:** Keep the mechanical keyhole free from dust and debris. Do not lubricate with oil-based products, as this can attract dirt.

LOW BATTERY REMINDER

When the red light is on, the battery power is not enough and needs to be replaced in time. And you can open the door with a spare key.



Image: The low battery reminder ensures you replace batteries before they fully deplete, with mechanical keys as a backup.

TROUBLESHOOTING

If you encounter issues with your AIERBOZ YL-57 Fingerprint Door Lock, refer to the following common

problems and solutions:

- **Lock does not respond:** Check if the batteries are correctly installed and have sufficient charge. Replace batteries if necessary.
- **Fingerprint not recognized:** Ensure your finger is clean and dry. Try repositioning your finger on the sensor. If the issue persists, re-register your fingerprint.
- **Passcode not accepted:** Verify that you are entering the correct passcode. Ensure the keyboard light is active before entering the code. If you suspect the passcode is incorrect, try changing it.
- **Red warning light during entry:** If the keyboard password is entered incorrectly, a red warning light will light up. Re-enter the correct password.
- **Fingerprint collector turns red:** If the fingerprint is entered incorrectly, the fingerprint collector will turn red. Re-attempt with a registered fingerprint.
- **Auto-lock not engaging:** Check if Passage Mode is active. If so, deactivate it using the instructions in the Operating Instructions section.

SPECIFICATIONS

Feature	Specification
Brand	AIERBOZ
Model Number	YL-57
Lock Type	Biometric, Keypad
Unlocking Methods	Fingerprint, Passcode, Mechanical Key
Fingerprint Recognition Speed	0.2 seconds
Fingerprint Capacity	Up to 20
Passcode Capacity	Up to 15 sets (4-12 digits)
Material	Zinc Alloy
Door Thickness Compatibility	1.26 - 1.89 inches
Adjustable Backset	2-3/8" (60mm) and 2-1/8" (70mm)
Power Source	4 x AAA Batteries (not included)
Item Dimensions (L x W x H)	6.69 x 6.1 x 2.8 inches
Item Weight	1 Pound
Operating Temperature Range	-4°F to +167°F



Image: The lock is designed to withstand a wide range of temperatures.

WARRANTY AND SUPPORT

Your AIERBOZ YL-57 Fingerprint Door Lock comes with a one-year warranty from the date of purchase, covering non-human damage. For any issues or support, please contact AIERBOZ customer service.