

Manuals+

[Q & A](#) | [Deep Search](#) | [Upload](#)

[manuals.plus](#) /

- › [LIKIMIO](#) /
- › [LIKIMIO Small Makeup Vanity Desk User Manual](#)

LIKIMIO B0CCRH3QJ5

LIKIMIO Small Makeup Vanity Desk User Manual

Model: B0CCRH3QJ5

INTRODUCTION

Thank you for purchasing the LIKIMIO Small Makeup Vanity Desk. This manual provides detailed instructions for assembly, operation, maintenance, and troubleshooting to ensure you get the most out of your new vanity desk. Please read this manual thoroughly before assembly and use, and retain it for future reference.



Image: The LIKIMIO Small Makeup Vanity Desk, featuring a built-in mirror with lights, a storage drawer, open shelves, and an accompanying stool.

SAFETY INFORMATION

Please observe the following safety precautions to prevent injury or damage to the product:

- Ensure all parts are present and undamaged before assembly.
- Assemble the vanity desk on a soft, clean surface to prevent scratches.
- Do not overtighten screws during assembly, as this may damage the material.
- Keep small parts and packaging materials away from children.
- Do not stand or sit on the vanity desk. The stool is designed for seating only.
- Ensure the vanity desk is placed on a stable, level surface to prevent tipping.
- Unplug the power cord for the mirror lights and charging station before cleaning or if not in use for extended periods.

PACKAGE CONTENTS

Before beginning assembly, verify that all components listed below are included in your package. If any parts are missing or damaged, please contact customer support.

Part	Description	Quantity
Vanity Desk Frame	Main desk structure	1
Mirror with Lights	Integrated mirror with LED lighting	1
Storage Drawer	Pull-out drawer for small items	1
Stool	Seating stool with internal storage	1
Shelves	Upper and side open storage shelves	Various
Hardware Kit	Screws, dowels, and assembly tools	1 set
Power Cord	For mirror lights and charging station	1

SETUP AND ASSEMBLY

Assembly is designed to be straightforward. It is recommended to have a second person assist with lifting and positioning larger components. All necessary installation tools are included.

1. Unpack and Identify Parts

Carefully unpack all components and lay them out on a clean, soft surface to prevent damage. Refer to the "Package Contents" section to ensure all parts are present.

2. Assemble the Main Desk Frame

Follow the numerical instructions provided in the separate assembly diagram (not included in this manual) to connect the main panels of the vanity desk. Ensure all connections are secure but do not overtighten screws.

3. Install the Storage Drawer

Slide the pre-assembled drawer into its designated slot in the desk frame. Ensure it glides smoothly.



Image: The small pull-out drawer, ideal for organizing scattered small items like jewelry or makeup accessories.

4. **Attach the Mirror and Shelves**

Carefully attach the mirror unit to the top of the desk frame using the provided hardware. Then, secure the open storage shelves to the side of the mirror unit as indicated in the assembly guide.

Open Storage

Your makeup area



Image: The open storage shelves, providing convenient access to frequently used makeup and beauty products.

5. Assemble the Stool

Assemble the stool according to its specific instructions. The stool also features internal storage.

Extra Storage



Image: The accompanying stool, featuring a lift-top design for additional hidden storage.

6. Connect Power

Once the vanity desk is fully assembled and in its desired location, connect the power cord to the integrated charging station and then to a standard wall outlet.

OPERATING INSTRUCTIONS

Mirror Lighting

The built-in mirror features adjustable LED lighting to provide optimal illumination for your beauty routine.

- **Power On/Off:** Lightly press the touch sensor button on the mirror surface to turn the lights on or off.
- **Change Light Color:** With the lights on, short press the touch sensor button to cycle through three different light colors: Cold White, Warm White, and Warm Yellow.
- **Adjust Brightness:** With the lights on, long press the touch sensor button to continuously adjust the brightness level. Release the button when the desired brightness is achieved.



Image: Visual guide demonstrating the touch controls for the mirror's LED lights, allowing users to switch between Cold White, Warm White, and Warm Yellow, and adjust brightness.

Integrated Charging Station

The vanity desk is equipped with a convenient charging station to power your electronic devices.

- **AC Outlets:** Two 110V/12A AC outlets are available for plugging in hair dryers, curling irons, or other small appliances.
- **USB Ports:** Two 5V/2A USB ports are provided for charging mobile phones, tablets, or other USB-powered devices.
- Ensure the main power cord of the vanity desk is plugged into a wall outlet for the charging station to function.

Convenient Charging Station



110V/12A
[AC Outlets]



5V/2A
[2 USB Ports]



6-Foot
[Power Cord]

Image: The built-in charging station, featuring two standard AC outlets and two USB ports, providing convenient power access for various devices.

MAINTENANCE

Proper care will extend the life and appearance of your vanity desk.

- **Cleaning:** Wipe surfaces with a soft, damp cloth. Avoid harsh chemicals or abrasive cleaners, as they may damage the finish. For the mirror, use a glass cleaner and a lint-free cloth.
- **Dusting:** Regularly dust the vanity desk and shelves with a dry, soft cloth.
- **Spills:** Clean up spills immediately to prevent staining or damage to the engineered wood.
- **Hardware:** Periodically check all screws and fasteners to ensure they remain tight. Retighten if necessary, but do not overtighten.
- **Avoid Direct Sunlight:** Prolonged exposure to direct sunlight may cause fading or discoloration.

TROUBLESHOOTING

If you encounter any issues with your LIKIMIO Small Makeup Vanity Desk, please refer to the following

common problems and solutions:

Problem	Possible Cause	Solution
Mirror lights not turning on.	Power cord not connected; power outlet issue; touch sensor malfunction.	Ensure the power cord is securely plugged into both the vanity and a working wall outlet. Try a different outlet. If the issue persists, contact customer support.
Charging station not working.	Main power cord not connected; device not properly plugged in.	Verify the vanity's main power cord is plugged in. Ensure devices are fully inserted into the AC outlets or USB ports. Test with different devices.
Drawer sticks or is difficult to open/close.	Misalignment during assembly; obstruction; damaged glides.	Check for any obstructions inside or around the drawer. Ensure the drawer glides are properly aligned and secured. If damaged, contact customer support.
Vanity desk feels wobbly.	Loose fasteners; uneven floor.	Check and tighten all assembly screws. Ensure the vanity is on a level surface. Use furniture pads if necessary to stabilize.

SPECIFICATIONS

Detailed dimensions and material information for the LIKIMIO Small Makeup Vanity Desk.

Feature	Detail
Product Dimensions (D x W x H)	15.4" x 24.4" x 59" (39cm x 62cm x 150cm)
Stool Dimensions (D x W x H)	11.4" x 15.7" x 17.7" (29cm x 40cm x 45cm)
Color	White
Frame Material	Engineered Wood
Lighting Type	LED with 3 color modes (Cold White, Warm White, Warm Yellow) and adjustable brightness
Charging Station	2 x 110V/12A AC Outlets, 2 x 5V/2A USB Ports
Power Cord Length	6-Foot

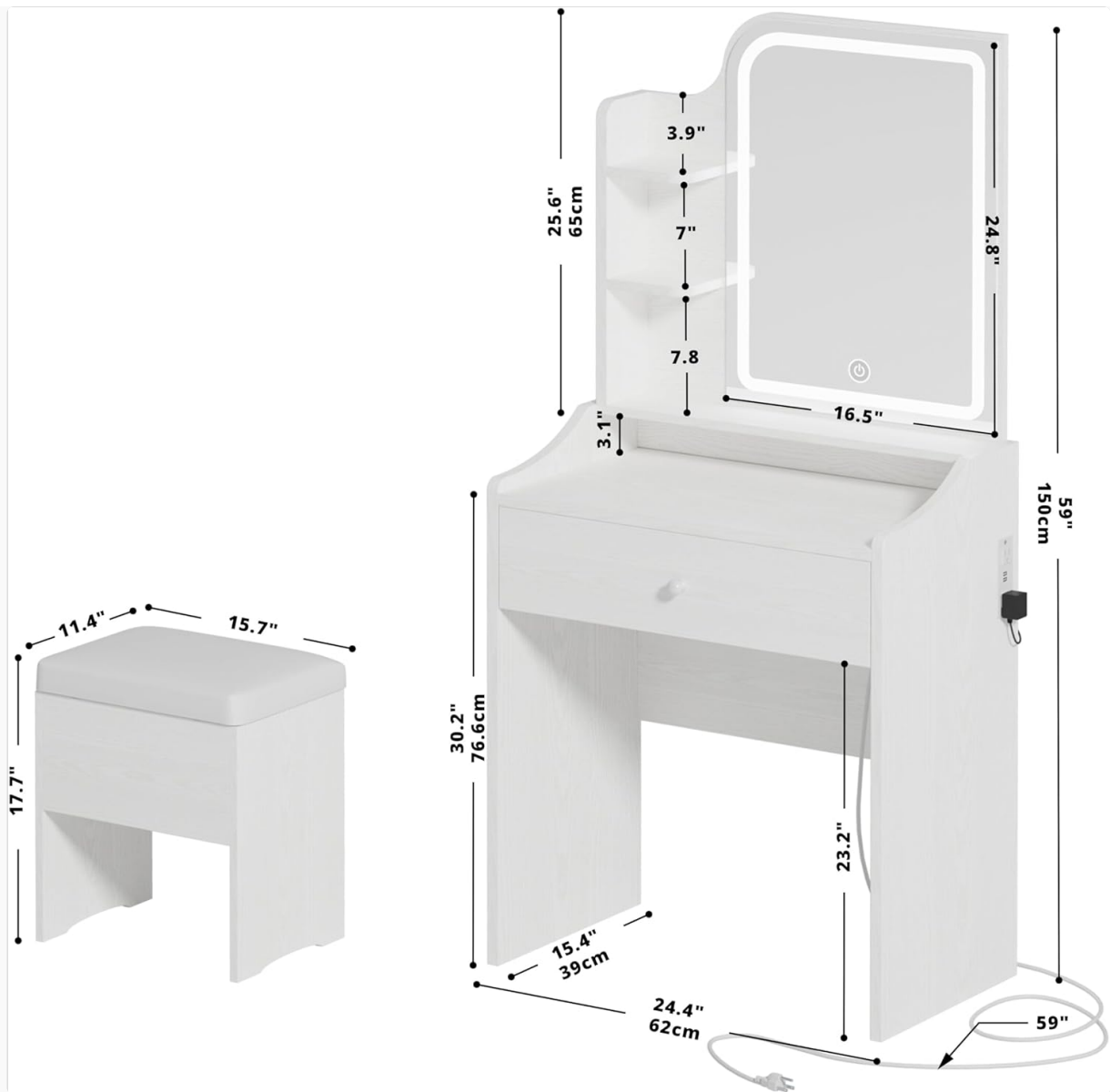


Image: A technical drawing illustrating the precise dimensions of both the vanity desk and the accompanying stool.

WARRANTY AND SUPPORT

LIKIMIO products are designed for durability and customer satisfaction. For specific warranty details, please refer to the warranty card included with your purchase or visit the official LIKIMIO website.

If you have any questions, require assistance with assembly, or need to report missing/damaged parts, please contact LIKIMIO customer support:

- **Customer Service:** Refer to your purchase documentation or the LIKIMIO brand store on Amazon for contact information.
- **Online Resources:** Visit [LIKIMIO Store on Amazon](#) for FAQs and additional product information.