

## Manuals+

[Q & A](#) | [Deep Search](#) | [Upload](#)

### Manuals.plus /

- › [ZXYRC](#) /
- › ZXYRC Metal Rear Axle Housing User Manual

## ZXYRC YK 1/7 RTR DF7

# ZXYRC Metal Rear Axle Housing User Manual

For Axial Yikong YK 1/7 RTR DF7 Desert Fighter RC Crawler Toys Car

## 1. INTRODUCTION

---

This manual provides essential information for the installation, operation, and maintenance of your ZXYRC Metal Rear Axle Housing. This component is designed as a spare upgrade part for the Axial Yikong YK 1/7 RTR DF7 Desert Fighter RC Crawler. Please read this manual thoroughly before proceeding with installation or use to ensure proper function and longevity of the part.

The ZXYRC Metal Rear Axle Housing is constructed from high-quality aluminum alloy, offering enhanced durability and an improved appearance compared to standard components. It is engineered for easy installation and replacement.

## 2. SAFETY INFORMATION

---

Always exercise caution when working with RC vehicle components. Observe the following safety guidelines:

- Ensure the RC vehicle is powered off and disconnected from its power source before beginning any installation or maintenance.
- Use appropriate tools for installation to prevent damage to the part or injury.
- Keep small parts away from children. This product is recommended for users aged 18 months to 3 years, but installation should be performed by an adult or under adult supervision due to small components and tools.
- Inspect all components for defects before installation. Do not use damaged parts.

## 3. PACKAGE CONTENTS

---

The package for the ZXYRC Metal Rear Axle Housing includes the following:

- 1 x Metal Rear Axle Housing
- Necessary mounting screws (typically included with the housing)



Image: Components of the ZXYRC Metal Rear Axle Housing, showing the two main housing pieces and mounting screws.

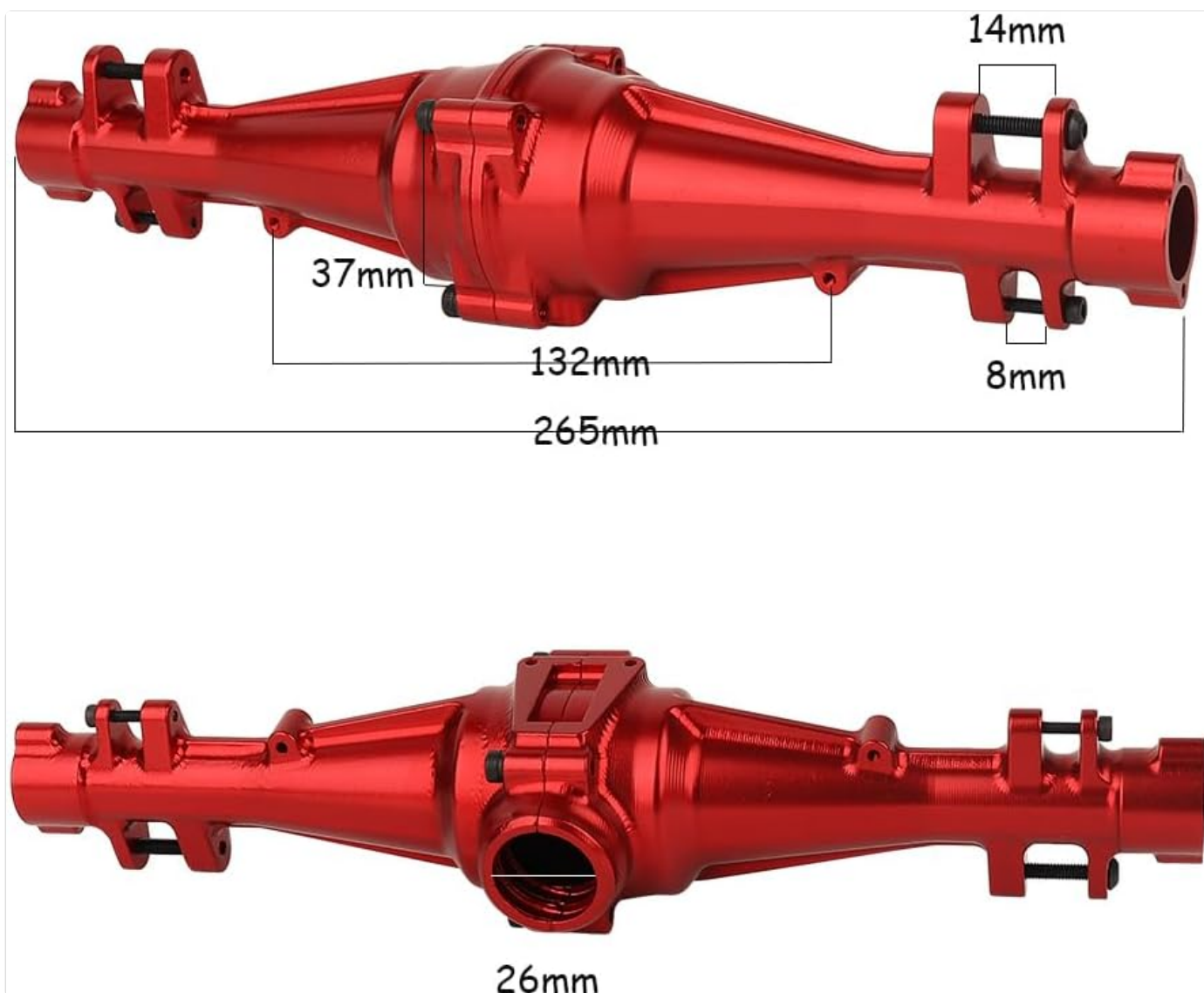


Image: Another view of the disassembled ZXYRC Metal Rear Axle Housing, highlighting the two halves and the included screws.

## 4. SETUP AND INSTALLATION

This section outlines the general steps for replacing the stock rear axle housing with the ZXYRC Metal Rear Axle Housing. Specific disassembly and reassembly procedures for your Axial Yikong YK 1/7 RTR DF7 Desert Fighter RC Crawler may vary; refer to your vehicle's original manual for detailed instructions.

### 4.1. Preparation

- Gather necessary tools: small Phillips head screwdriver, hex wrenches (if applicable), and possibly pliers.
- Ensure a clean, well-lit workspace.
- Power off the RC vehicle and remove the battery.

### 4.2. Disassembly of Existing Axle

1. Carefully remove the wheels and tires from the rear axle.
2. Disconnect any links, shocks, or driveshafts attached to the existing rear axle housing. Note their orientation for reassembly.
3. Open the existing axle housing to remove the internal gears, differential, and axle shafts. Keep these components organized.
4. Remove the old axle housing from the vehicle chassis.

### 4.3. Installation of New Axle Housing

1. Transfer the internal gears, differential, and axle shafts from the old housing into the new ZXYRC Metal Rear Axle Housing. Ensure all components are properly seated and lubricated as per your vehicle's original manual.
2. Carefully close the two halves of the new metal axle housing, ensuring no wires or components are pinched. Secure with the provided screws.
3. Attach the new axle housing to the vehicle chassis, reconnecting all links, shocks, and driveshafts in their correct positions.
4. Reinstall the wheels and tires.



Image: Front view of the ZXYRC Metal Rear Axle Housing, ready for internal components and installation.



Image: Angled view of the ZXYRC Metal Rear Axle Housing, showing its robust construction.



Image: Top and bottom views of the ZXYRC Metal Rear Axle Housing, illustrating its design from multiple perspectives.

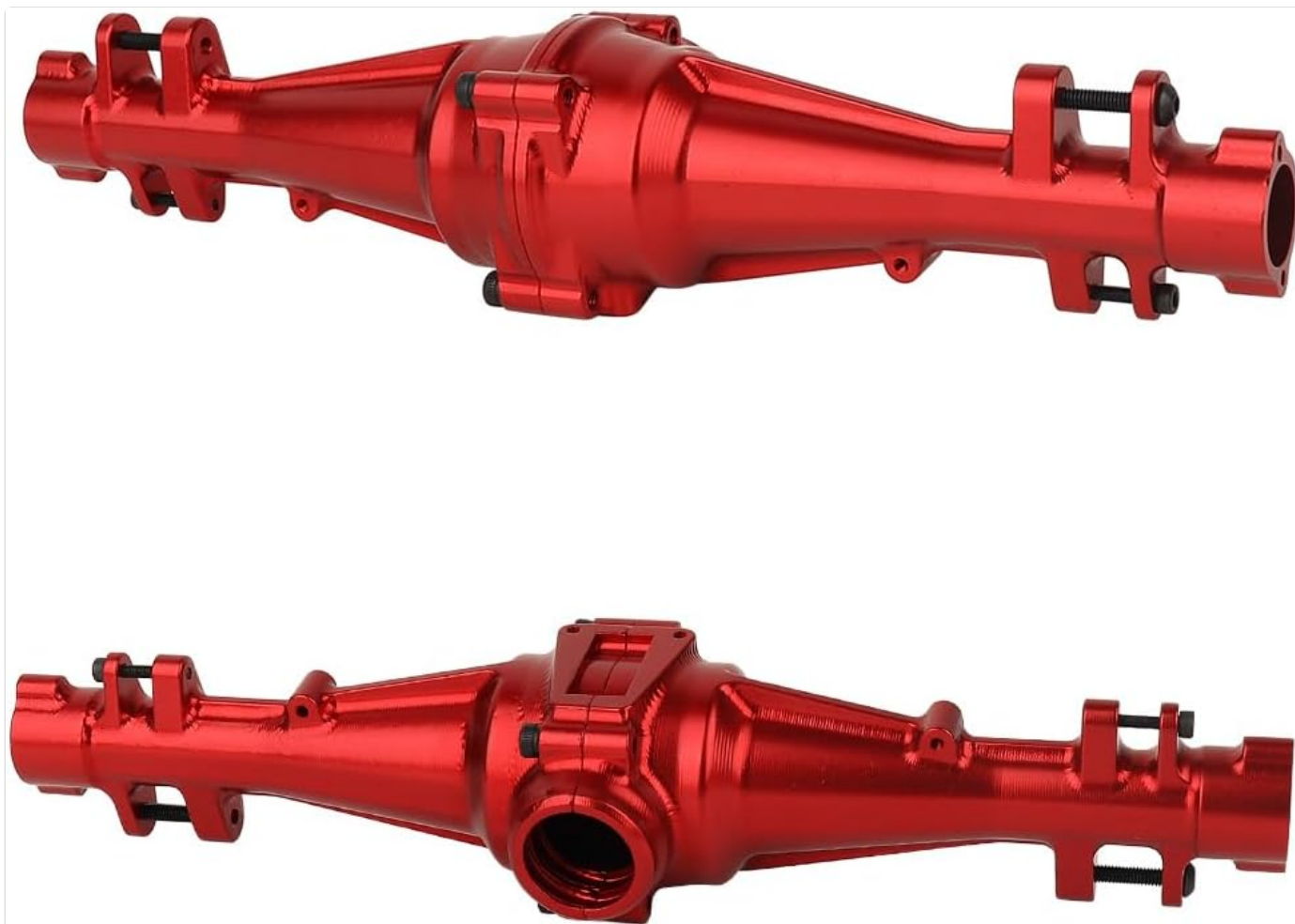


Image: The ZXYRC Metal Rear Axle Housing installed on an Axial Yikong YK 1/7 RTR DF7 Desert Fighter RC Crawler, demonstrating its fit and appearance.

## 5. OPERATING CONSIDERATIONS

---

The ZXYRC Metal Rear Axle Housing is a direct replacement and upgrade part. Its operation is integrated with the overall function of your RC vehicle. No specific operational procedures are required for the axle housing itself beyond the normal operation of your RC crawler.

After installation, perform a brief test run at low speed to ensure all components are functioning correctly and there are no unusual noises or binding. Verify that the wheels spin freely and the drivetrain operates smoothly.

## 6. MAINTENANCE

---

Regular maintenance will extend the lifespan of your ZXYRC Metal Rear Axle Housing and the overall performance of your RC vehicle.

- **Cleaning:** After each use, especially in dusty or dirty conditions, clean the exterior of the axle housing to prevent dirt buildup. Use a soft brush or compressed air. Avoid harsh chemicals that may damage the finish.
- **Inspection:** Periodically inspect the axle housing for any signs of damage, cracks, or loose screws. Ensure all mounting points are secure.
- **Lubrication:** Refer to your RC vehicle's original manual for recommended lubrication schedules for internal differential gears and bearings. While the housing itself does not require lubrication, the components within it do.
- **Storage:** Store your RC vehicle and its components in a clean, dry environment away from extreme temperatures and direct sunlight.

## 7. TROUBLESHOOTING

---

This section addresses common issues that may arise after installing the ZXYRC Metal Rear Axle Housing. If you encounter problems not listed here, consult your RC vehicle's original manual or contact ZXYRC customer support.

Problem	Possible Cause	Solution
Unusual noise from rear axle	Improperly seated gears, lack of lubrication, foreign debris, or damaged internal components.	Disassemble the axle housing, inspect all internal gears and bearings for proper seating and damage. Clean out any debris. Apply appropriate lubricant as per vehicle manual. Reassemble carefully.
Binding or restricted movement	Screws overtightened, components pinched during assembly, or misaligned axle shafts/bearings.	Loosen screws slightly and re-tighten to a snug fit (do not overtighten). Re-open the housing to ensure no wires or components are pinched. Verify axle shafts and bearings are correctly aligned.
Axle housing feels loose	Mounting screws to chassis are loose, or housing halves are not fully secured.	Check and tighten all screws securing the axle housing to the chassis and the screws holding the two halves of the housing together.

## 8. SPECIFICATIONS

---

Feature	Detail
Product Name	Metal Rear Axle Housing
Compatibility	Axial Yikong YK 1/7 RTR DF7 Desert Fighter RC Crawler
Material	Aluminum Alloy
Color	Red (as per this specific model)
Weight	Approximately 310.2g
Dimensions	Refer to diagram for detailed measurements.



Image: Dimensional diagram of the ZXYRC Metal Rear Axle Housing, indicating key measurements such as overall length (265mm), width (132mm), and other specific points.

## 9. WARRANTY AND SUPPORT

---

For warranty information or technical support regarding your ZXYRC Metal Rear Axle Housing, please contact ZXYRC directly. Refer to the product packaging or the ZXYRC official website for the most current contact details.

**Manufacturer:** ZXYRC

**ASIN:** B0CCRGD8S4

**Recommended Age:** 18 months - 3 years (Note: This age range is for the product's intended user, not necessarily for installation which should be done by an adult.)

You can visit the [ZXYRC Store on Amazon](#) for more products and information.