



[Manuals.plus](#) /

> [TAVATA](#) /

> TAVATA Fireplace TV Stand Entertainment Center (Model 70tvs) User Manual

## TAVATA 70tvs

# TAVATA Fireplace TV Stand Entertainment Center User Manual

MODEL: 70TVS

## 1. Safety Information

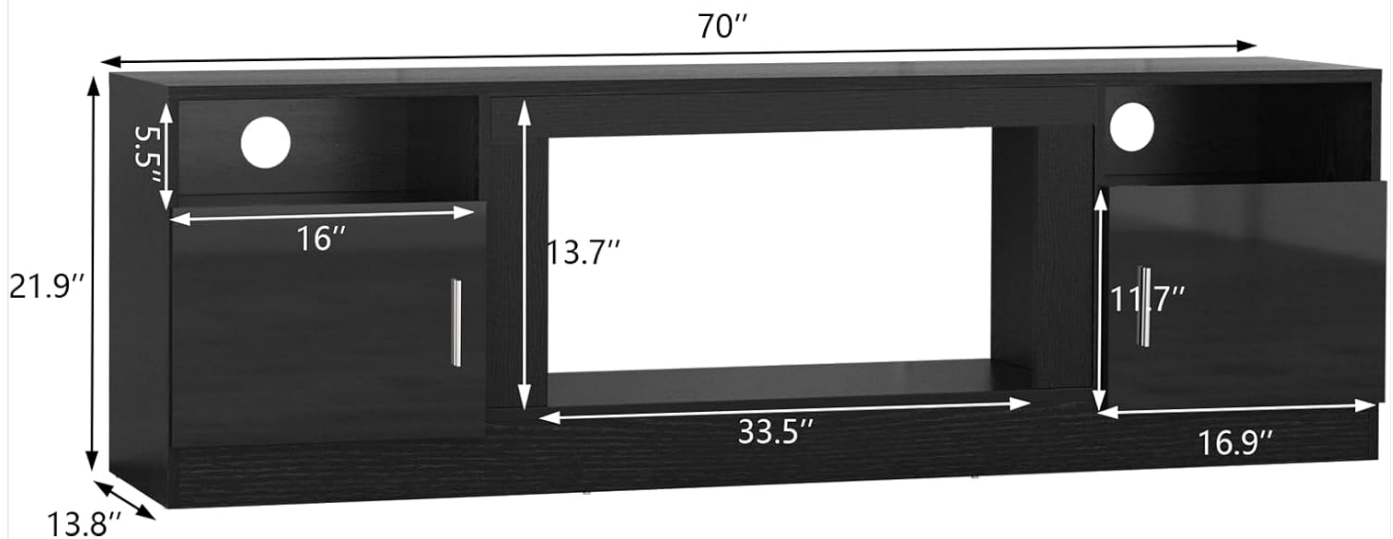
Please read all instructions carefully before assembly and use. Retain this manual for future reference.

- **Electrical Safety:** Ensure the fireplace insert is connected to a grounded outlet. Do not overload electrical circuits.
- **Weight Capacity:** The TV stand desktop supports up to 300 pounds. Do not exceed this weight limit to prevent damage or injury.
- **Assembly:** This product ships in two separate boxes (TV Stand and Fireplace Insert) which may arrive on different days. Assembly requires 1-2 people and approximately 1 hour. Follow all assembly steps precisely.
- **Placement:** Position the TV stand on a flat, stable surface. Keep flammable materials away from the fireplace insert.
- **Ventilation:** Ensure adequate air circulation around the fireplace insert. Do not block air vents.

## 2. Package Contents

Verify that all components are present before beginning assembly. Refer to the included hardware list in your separate assembly manual.

## Package 1



## Package 2



MAX WEIGHT CAPACITY

The product comes with two separate packages  
(Fireplace insert and TV Stand)



Image: Product dimensions and packaging details. The TV stand measures 70 inches wide, 21.9 inches high, and 13.8 inches deep. The fireplace insert is 36 inches wide and 13.7 inches high.

- TV Stand Components (various panels, shelves, doors, hardware)
- 36-inch Electric Fireplace Insert
- Remote Control for Fireplace
- LED Light Strips and Controller
- Assembly Manual

### 3. Setup and Assembly

Follow the step-by-step instructions provided in the separate assembly manual included with your product. All parts are labeled and pre-drilled for ease of installation.

1. **Unpack Components:** Carefully remove all parts from the packaging. Lay them out on a clean, soft surface to prevent scratches.
2. **Identify Parts:** Match each part to the corresponding label in the assembly manual.
3. **Assemble TV Stand Frame:** Follow the diagrams to connect the main panels and shelves.

4. **Install Fireplace Insert:** Once the main TV stand structure is complete, carefully slide the electric fireplace insert into its designated opening. Secure it according to the manual.
5. **Attach Doors and Hinges:** Install the high gloss cabinet doors using the provided soft-close hinges.
6. **Install LED Lights:** Adhere the LED light strips to the designated areas, typically under the open shelves. Connect them to the controller.
7. **Cable Management:** Utilize the cable management hole at the back of the unit to organize wires from your media devices.



Image: Cable management and storage features. The image illustrates the circular cable management hole and the spacious open shelves and closed cabinets.

## 4. Operating Instructions

### 4.1 Electric Fireplace Operation

The electric fireplace can be operated via the touch screen controls on the unit or the included remote control.



Image: Fireplace control panel and flame brightness levels. Icons indicate functions such as heater, flame, dimmer, color, timer, and power. Five distinct flame brightness levels are displayed.

- **Power On/Off:** Press the power button to turn the fireplace on or off.
- **Heating Modes:** Select between 750W and 1500W heating modes. The fireplace efficiently warms rooms up to 400 sq. ft.
- **Flame Colors:** Choose from 12 distinct flame colors to customize the ambiance.
- **Flame Speed & Brightness:** Adjust the flame effects with 5 adjustable speed and brightness levels.
- **Timer Function:** Set the operational timer for 1 to 8 hours.
- **Flame Only Mode:** The 3D realistic flame effects can be displayed independently, without activating the heating function.
- **Quiet Operation:** The fireplace operates at under 40dB.

#### 4.2 LED Light Operation

The integrated LED light strips offer customizable lighting for the TV cabinet.



Image: TV stand with LED lighting. The image demonstrates the TV stand with its integrated LED lights set to various colors, enhancing the visual appeal of the open storage areas.

- **Color Adjustment:** The LED light strips can be adjusted to 20 different colors. Refer to the LED controller instructions for specific operation.

## 5. Maintenance

- **Cleaning:** For the high gloss cabinet doors and wood surfaces, use a soft, damp cloth. Avoid abrasive cleaners or harsh chemicals that could damage the finish.
- **Fireplace Insert:** Periodically check the air intake and exhaust vents for dust accumulation. Clean gently with a soft brush or vacuum cleaner. Ensure the unit is unplugged before cleaning.
- **Electrical Cords:** Regularly inspect power cords for any signs of damage. If damaged, discontinue use and contact customer support.

## 6. Troubleshooting

- **Fireplace Not Turning On:** Ensure the power cord is securely plugged into a functional electrical outlet. Check the circuit breaker.
- **No Heat Output:** Verify that the heating mode is activated and not just the flame-only mode. Ensure vents are not obstructed.
- **LED Lights Not Working:** Check the connection of the LED strips to the controller and the power source. Ensure the controller is functioning correctly.
- **Unusual Noises:** If the fireplace produces unusual noises, turn off the unit and unplug it. Contact customer support for assistance.

For issues not resolved by the above steps, please contact TAVATA customer support.

## 7. Specifications

Feature	Detail
Brand	TAVATA
Model Name	70tvs
Product Dimensions	70"D x 13.78"W x 22.9"H
Material	Wood
Finish Type	Glossy
Power Source	Corded Electric
Heat Output	750W / 1500W
Heating Coverage	Up to 400 sq. ft.
Special Features	Adjustable Flame, Ample Storage Space, Multicolor Flame, Timer, LED Lights
Color	Black
Item Weight	73 Pounds
Max TV Size Supported	Up to 80 inches
Max Desktop Weight Capacity	300 Pounds



Image: TV size compatibility. This image visually represents how different TV sizes, from 32 inches up to 80 inches, fit on the TV stand.

## 8. Warranty and Support

This TAVATA product comes with a limited warranty. For specific warranty details, please refer to the documentation included with your purchase or contact TAVATA customer support.

For any questions, technical assistance, or warranty claims, please contact the seller, Tavata, directly through your purchase platform or their official contact channels.

