

[Manuals.plus](#) /

> [Buachois](#) /

> Buachois 50Pcs Knitting Machine Needles Instruction Manual for KH821, KH831, KH851, KH868, KH860, KH871, KH881

**Buachois KH821, KH831, KH851, KH868, KH860, KH871, KH881, KH891, KH892, KH893, KH894, KH930, KH940, KH970, CK35**

# Buachois 50Pcs Knitting Machine Needles Instruction Manual

Models: KH821, KH831, KH851, KH868, KH860, KH871, KH881, KH891, KH892, KH893, KH894, KH930, KH940, KH970, CK35

## INTRODUCTION

---

This manual provides instructions for the Buachois 50Pcs Knitting Machine Needles. These steel needles are designed as replacement accessories for various knitting machine models, ensuring consistent performance and ease of use. Each package contains 50 high-quality steel needles, measuring approximately 13.5cm (5.3 inches) in length.

**Compatible Knitting Machine Models:** KH821, KH831, KH851, KH868, KH860, KH871, KH881, KH891, KH892, KH893, KH894, KH930, KH940, KH970, CK35.



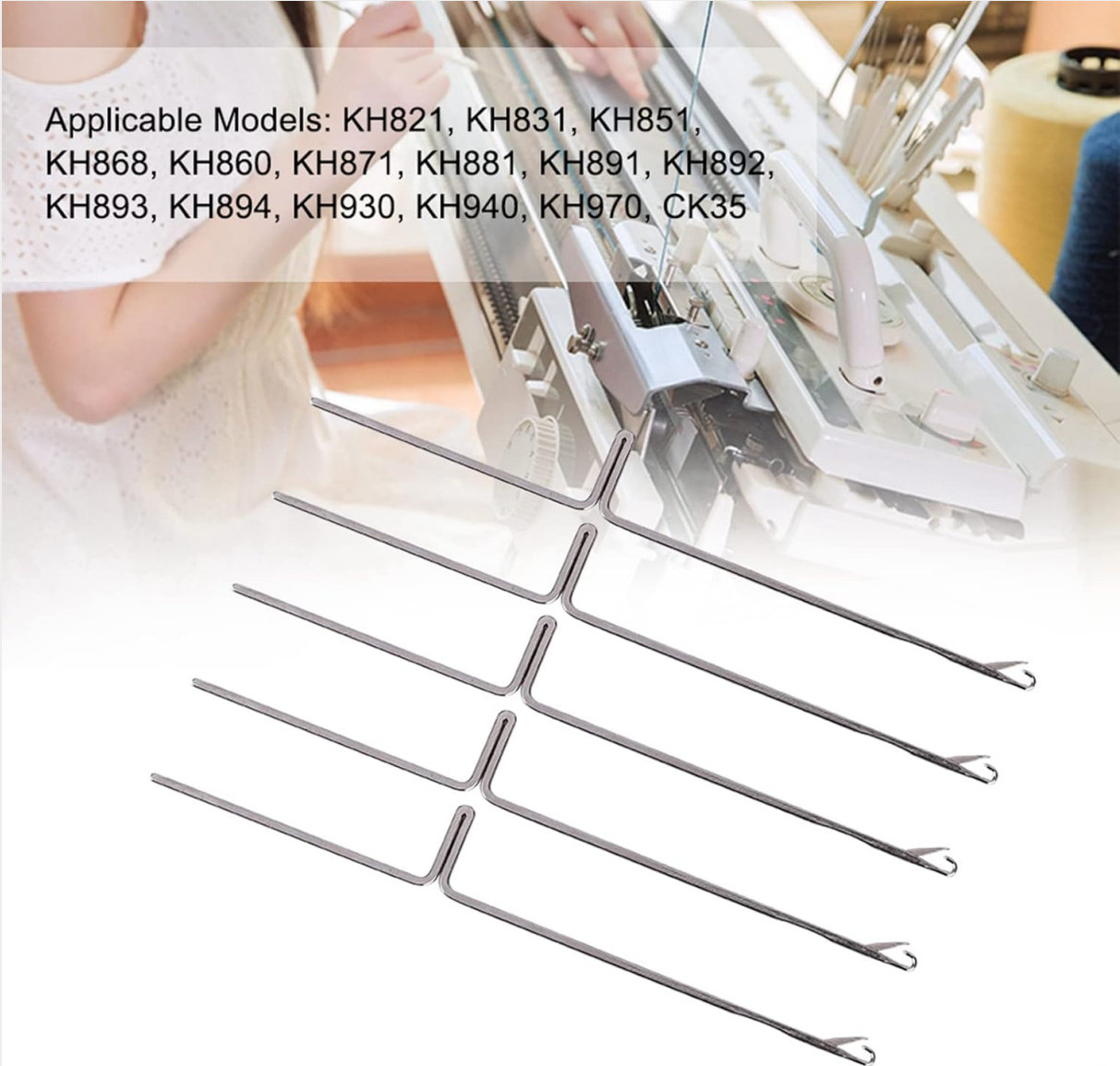
## 50pcs/Set Knitting Machine Needle Steel Needles Set

Image: A stack of 50 new knitting machine needles, ready for use.

### SETUP AND INSTALLATION

These knitting machine needles are designed for easy installation as replacements for existing or damaged needles in compatible knitting machines. Follow your knitting machine's specific instructions for needle replacement.

1. **Preparation:** Ensure your knitting machine is turned off and unplugged before beginning any installation or replacement.
2. **Identify Needles:** Locate the needles that need replacement on your knitting machine's needle bed.
3. **Remove Old Needles:** Carefully remove the old or damaged needles according to your machine's manual. Use appropriate tools if necessary.
4. **Insert New Needles:** Gently slide the new Buachois knitting machine needles into the designated slots on the needle bed. Ensure they are seated correctly and move freely.
5. **Verification:** After installation, manually move the carriage across the needle bed to confirm all new needles are properly installed and do not obstruct movement.



Applicable Models: KH821, KH831, KH851, KH868, KH860, KH871, KH881, KH891, KH892, KH893, KH894, KH930, KH940, KH970, CK35

Image: Knitting machine needles correctly installed in a knitting machine.

## OPERATING INSTRUCTIONS

These needles are designed to integrate seamlessly with your compatible knitting machine, providing smooth and efficient operation. Their ergonomic design facilitates easy handling during knitting projects.

- **Yarn Threading:** Thread your yarn through the needle hooks as required by your knitting pattern and machine type. Refer to your knitting machine's manual for specific threading instructions.
- **Carriage Movement:** Operate your knitting machine's carriage as usual. The consistent performance of these needles ensures uniform stitch formation.
- **Monitoring:** Periodically check the needles during operation to ensure they are moving freely and not snagging the yarn.
- **Project Completion:** Upon completing your knitting project, carefully remove the knitted fabric from the machine.

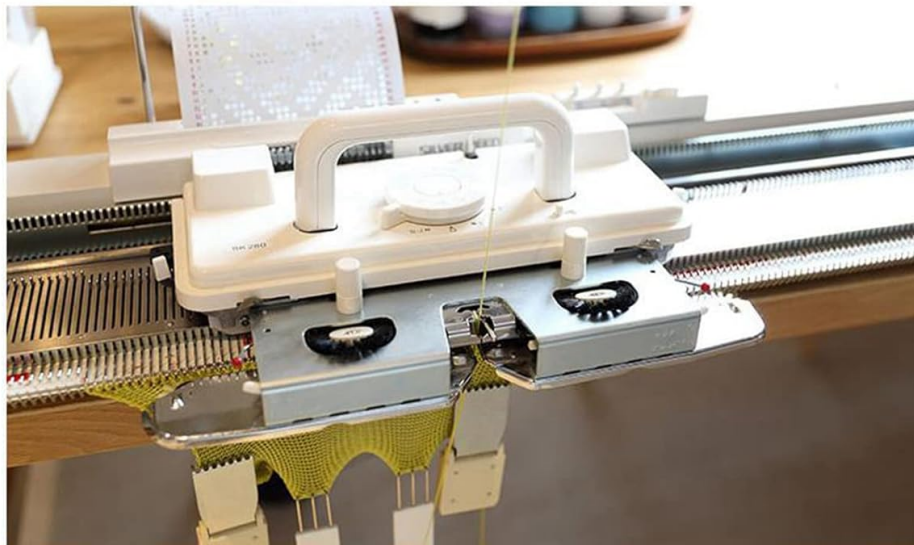


Image: A knitting machine actively producing knitted fabric, demonstrating needle function.

## MAINTENANCE

Proper maintenance of your knitting machine needles will ensure their longevity and consistent performance. Made from high-quality steel, these needles are durable and designed for long-term use.

- **Cleaning:** After each use, gently clean the needles to remove any lint, dust, or yarn fibers. A soft brush or cloth can be used.
- **Storage:** Store unused needles in a dry, clean environment to prevent rust or damage. The original packaging or a dedicated needle case is recommended.
- **Inspection:** Periodically inspect needles for any signs of bending, dullness, or damage. Replace any compromised needles to maintain knitting quality and prevent machine damage.
- **Lubrication:** If your knitting machine requires lubrication of the needle bed, ensure that the needles themselves are clean before applying any lubricants as per your machine's manual.



Adopt imported steel material, high hardness and durable

Great workmanship, perfect replacement for the old one

Image: High-quality steel needles, emphasizing their durability and material.

## TROUBLESHOOTING

If you encounter issues while using the Buachois knitting machine needles, consider the following common troubleshooting steps:

- **Needle Snagging/Breaking:**
  - Ensure needles are correctly installed and fully seated in their slots.
  - Check for any bent or damaged needles and replace them.
  - Verify that the yarn tension is appropriate for your project and machine.
- **Uneven Stitches:**
  - Confirm all needles are clean and moving smoothly.
  - Inspect for any debris or lint obstructing needle movement.
  - Ensure consistent yarn quality and tension.
- **Difficulty Inserting Needles:**
  - Ensure the needle bed slots are clear of obstructions.
  - Do not force needles into place; they should slide in smoothly.

If problems persist, refer to your knitting machine's comprehensive manual or contact customer support.

## PRODUCT SPECIFICATIONS

<b>Material</b>	Steel
<b>Length</b>	Approx. 13.5cm / 5.3 inches
<b>Quantity</b>	50 pieces per package
<b>Compatible Models</b>	KH821, KH831, KH851, KH868, KH860, KH871, KH881, KH891, KH892, KH893, KH894, KH930, KH940, KH970, CK35
<b>Item Weight</b>	4.6 ounces
<b>Product Dimensions</b>	0.39 x 0.39 x 0.39 inches (packaging dimensions may vary)

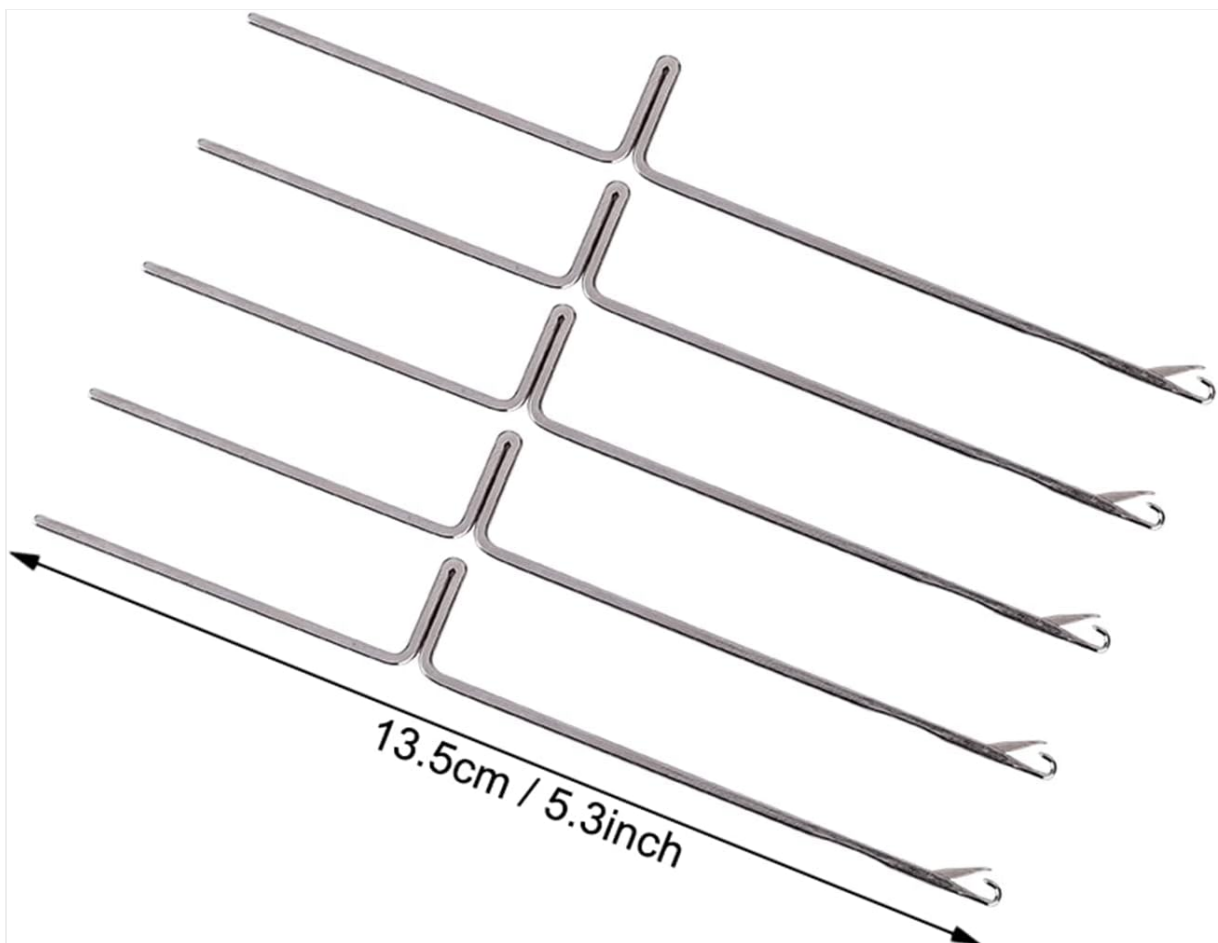


Image: Knitting machine needles displaying their approximate length.

## WARRANTY AND SUPPORT

Buachois is committed to providing quality products and satisfactory customer service. If you have any questions, concerns, or require assistance with your knitting machine needles, please do not hesitate to contact our customer support team.

We aim to address all inquiries and resolve any issues within 24 hours to ensure your complete satisfaction.

For support, please refer to the contact information provided with your purchase or visit the official Buachois website.

