

[Manuals.plus](#) /

> [BOSHIRO](#) /

> BOSHIRO BO-4DG-W-1 4-Drawer Dresser User Manual

## BOSHIRO BO-4DG-W-1

# BOSHIRO 4-Drawer Dresser User Manual

Model: BO-4DG-W-1 | Brand: BOSHIRO

## 1. IMPORTANT SAFETY INFORMATION

Please read and understand all instructions before assembly and use. Keep this manual for future reference.

- **Anti-Tip Device:** To prevent serious or fatal crushing injuries, this product must be permanently secured to the wall with the included anti-tip device. Ensure the device is installed correctly according to the instructions.
- **Children's Safety:** Do not allow children to climb on drawers or the dresser. Always supervise children around furniture.
- **Weight Limits:** Do not exceed the recommended weight limits for drawers or the top surface. Overloading can cause instability and damage.
- **Assembly:** Assembly should be performed by at least two adults. Ensure all parts are securely fastened before use.

**WARNING: Failure to follow these warnings can result in serious injury or death.**

## 2. PACKAGE CONTENTS

Before beginning assembly, verify that all parts listed below are present and undamaged. If any parts are missing or damaged, please contact customer support.

- Dresser Panels (Top, Bottom, Sides, Back)
- Drawer Components (Fronts, Sides, Backs, Bottoms)
- Drawer Slides (for dresser frame and drawers)
- Vintage Metal Knobs (4 pieces)
- Assembly Hardware (Screws, Dowels, Cam Locks, Bolts, etc.)
- Anti-Tip Safety Kit

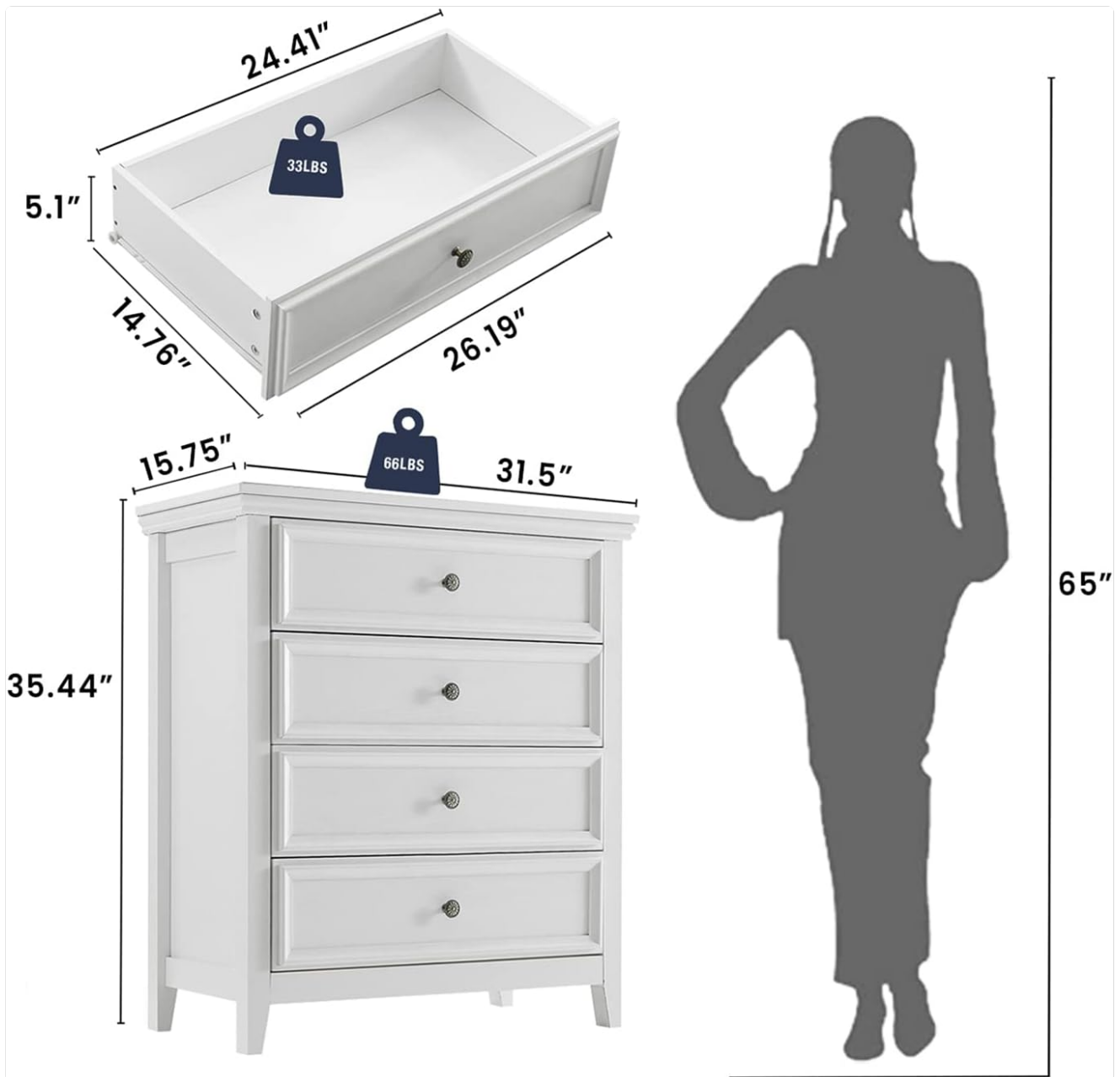


Image: Overview of dresser dimensions and individual drawer capacity (33 lbs per drawer, 66 lbs for top surface).

### 3. ASSEMBLY INSTRUCTIONS

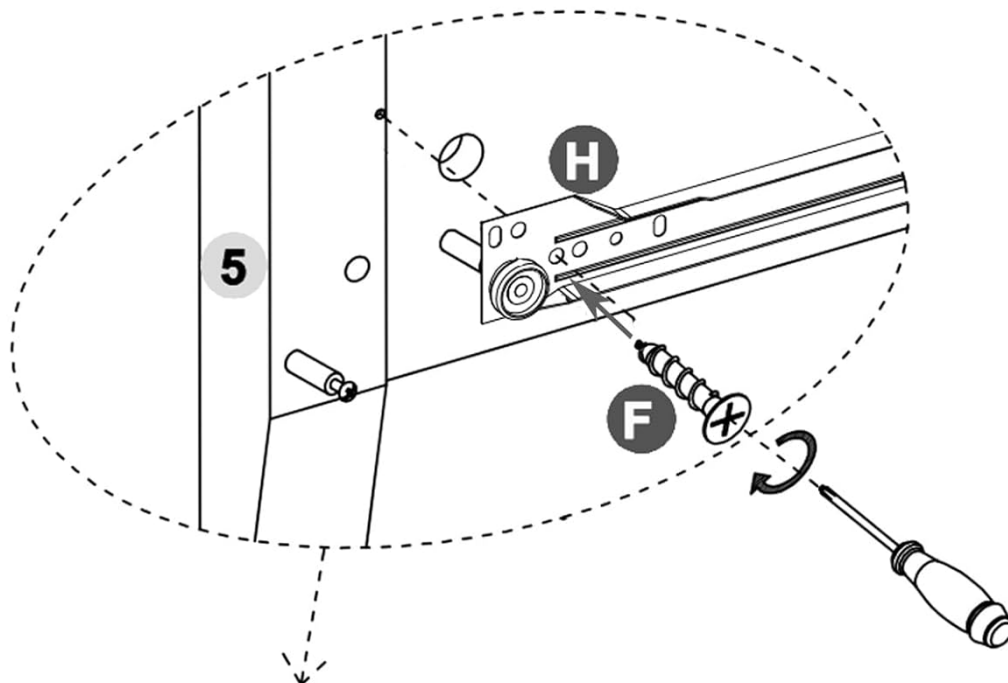
Assembly typically requires two adults and approximately 1-2 hours. A Phillips head screwdriver and a hammer (not included) may be needed.

1. **Prepare Workspace:** Clear a spacious area and lay out all components on a soft, clean surface to prevent scratches. Identify each part using the provided labels.
2. **Assemble the Main Frame:** Attach the side panels to the bottom panel using the designated hardware (e.g., cam locks and dowels). Ensure all connections are tight and secure.
3. **Install Drawer Slides to Frame:** Secure the longer drawer slides to the inner sides of the dresser frame. Pay close attention to the orientation and ensure they are level.
4. **Attach Top Panel:** Secure the top panel to the assembled frame.

5. **Assemble Drawers:** For each of the four drawers, attach the side panels to the front and back panels. Slide the drawer bottom into the grooves. Secure the shorter drawer slides to the sides of each assembled drawer.
6. **Install Knobs:** Attach the vintage metal knobs to the front of each drawer.
7. **Insert Drawers:** Carefully align the drawer slides on the drawers with the slides on the dresser frame and gently push each drawer into place until it clicks or slides smoothly.
8. **Install Anti-Tip Device:** Following the specific instructions in your package, attach the anti-tip strap to the back of the dresser and then securely fasten it to a wall stud. This step is crucial for safety.

## PLEASE NOTE:

IF MAKE A MISTAKE IN THIS PART WHEN INSTALLING THE SLIDES,  
YOUR DRAWER WILL NOT CLOSE PROPERLY,  
SO PLEASE FOLLOW THE INSTRUCTIONS CAREFULLY.



**(F) should be locked in the  
first hole against the pulley.**

Image: Detailed diagram illustrating the correct positioning of screws for drawer slide installation. Ensure screw (F) is locked in the first hole against the pulley (H) on part (5) to ensure proper drawer function.



◀ Vintage Metal Knobs

Solid Construction ▶



◀ Smooth Drawer Glide

Image: Close-up details highlighting the vintage metal knobs, solid construction of the dresser legs, and the smooth drawer glide mechanism.

#### 4. OPERATING INSTRUCTIONS

The BOSHIRO 4-Drawer Dresser is designed for organized storage in various rooms.


- **Drawer Use:** Each drawer is equipped with wide slides for smooth gliding. To open, gently pull the knob. To close, push the drawer firmly until it is fully seated.
- **Weight Capacity:** Each drawer can hold up to 33 pounds (15 kg). The top surface of the dresser can support up to 66 pounds (30 kg). Distribute weight evenly to maintain stability.
- **Maximizing Space:** The drawers are designed to open up to 4/5 of their depth, allowing for easy access and maximum utilization of storage space.



## Large Storage Space



X4

 20+  
Tissue

 60+  
Socks

 40+  
Underwear

 30+  
Snacks

 20+  
Toys

 30+  
Shirt

Image: The dresser with drawers open, illustrating its large storage capacity suitable for various items like clothing, accessories, and small household goods.

## 5. MAINTENANCE AND CARE

Proper care will help maintain the appearance and longevity of your dresser.

- **Cleaning:** Wipe the dresser surfaces with a dry cloth. Avoid abrasive cleaners or harsh chemicals that may damage the finish.
- **Spills:** Immediately wipe up any spills with a dry or slightly damp cloth to prevent staining or water damage. The dresser features a waterproof surface for easier cleaning.
- **Sunlight Exposure:** Avoid prolonged exposure to direct sunlight to prevent fading or discoloration of the finish.
- **Humidity:** Maintain a stable humidity level in the room to prevent warping or cracking of the wood.
- **Hardware Check:** Periodically check all screws and fasteners to ensure they remain tight. Retighten as necessary.



Image: Illustration demonstrating the waterproof surface of the dresser, indicating ease of cleaning and spill resistance.

## 6. TROUBLESHOOTING

If you encounter issues with your dresser, refer to the following common solutions:

- **Drawers Not Closing Smoothly or Falling Off Tracks:**
  - Ensure the drawer slides are correctly installed on both the drawer and the dresser frame. Refer to assembly step 3 and the slide installation diagram.
  - Check that all screws securing the slides are tight. Loose screws can cause misalignment.
  - Verify that the drawer is not overloaded, which can cause strain on the slides.
  - If issues persist, some users have found that adding a small washer in front of the screws that attach the railing to the drawer can help stabilize the wheels and prevent them from coming off the tracks.
- **Dresser Feels Unstable or Wobbly:**

- Ensure all assembly hardware is fully tightened.
  - Verify that the dresser is placed on a level surface. Adjust furniture levelers if applicable.
  - Confirm the anti-tip device is securely installed to the wall.
- **Missing or Damaged Parts:** If you discover any missing or damaged parts during unpacking or assembly, do not proceed with assembly. Contact customer service immediately for assistance.

## 7. SPECIFICATIONS

Feature	Detail
Brand	BOSHIRO
Model Name	BO-4DG-W-1
Product Dimensions	15.75"D x 31.5"W x 35.4"H (4 Drawers)
Color	White
Item Weight	80.3 Pounds
Material	Warp-resistant particleboard
Assembly Required	Yes
Product Care Instructions	Wipe with Dry Cloth
Drawer Weight Capacity	33 lbs (each drawer)
Top Surface Weight Capacity	66 lbs

## 8. WARRANTY AND SUPPORT

BOSHIRO is committed to providing quality products and customer satisfaction.

- **After-Sales Service:** If you encounter any problems during the installation process or have questions about your product, please feel free to contact us. We aim to reply within 24 hours and provide a satisfactory solution.
- **Contact Information:** Refer to your purchase documentation or the BOSHIRO official website for specific customer service contact details.

