



[Manuals.plus](#) /

› [HOSTACK](#) /

› HOSTACK Modern 6-Drawer Dresser Instruction Manual

HOSTACK B0CCDRXPNL

HOSTACK Modern 6-Drawer Dresser Instruction Manual

PRODUCT OVERVIEW

This manual provides detailed instructions for the assembly, operation, and maintenance of your HOSTACK Modern 6-Drawer Dresser. This dresser features a spacious tabletop and six easy-glide drawers, designed for organizing various items. Its dimensions are 15.7 inches (D) x 27.6 inches (W) x 43.5 inches (H).



Image: Front view of the HOSTACK Modern 6-Drawer Dresser.



Image: The dresser positioned in a room setting.



Image: Two dressers arranged together, showcasing versatility.

SAFETY INFORMATION

The HOSTACK Modern 6-Drawer Dresser meets the safety criteria outlined in ASTM 2057–2023 for Clothing Storage Units, designed to protect children from tip-over-related injuries. Anti-tipping accessories are included in the package and must be installed during assembly to ensure stability and safety. Always secure the dresser to a wall using the provided anti-tipping hardware.

COMPONENTS INCLUDED

Before beginning assembly, verify that all components and hardware are present. The package typically includes:

- Dresser panels (top, bottom, sides, back)
- Drawer panels (front, back, sides, bottom)
- Drawer slides (metal runners)
- Assembly hardware (screws, dowels, cam locks, anti-tip kit)

Refer to the included parts list diagram in your physical manual for specific identification of each component.

ASSEMBLY INSTRUCTIONS

Assembly of this dresser is designed to be straightforward. Follow the numbered steps and diagrams provided in your physical instruction booklet. A power drill may assist with assembly, but is not strictly required.

1. **Prepare the Area:** Clear a spacious, flat area for assembly.
2. **Identify Components:** Match all parts to the component list and hardware to the hardware list.
3. **Assemble the Frame:** Construct the main dresser frame using the designated panels and hardware.
4. **Install Drawer Slides:** Attach the metal drawer slides to the dresser frame and to the drawer side panels. Ensure they are correctly oriented for smooth operation.
5. **Assemble Drawers:** Construct each drawer by connecting the front, back, side, and bottom panels.
6. **Insert Drawers:** Carefully insert the assembled drawers into the installed slides.
7. **Install Anti-Tip Kit:** Securely attach the anti-tipping device to the back of the dresser and to a wall stud, following the specific instructions provided. This step is crucial for safety.

For visual guidance on drawer features and removal, please refer to the video below.

Your browser does not support the video tag.

Video: Overview of the Tall 6 Drawer Dresser, demonstrating drawer features and removal process.

OPERATING YOUR DRESSER

The HOSTACK dresser features six drawers designed for smooth operation and organized storage. The top two drawers are smaller, while the bottom four are larger, allowing for classified storage of various items.

Drawer Operation: Each drawer is equipped with quality ball-bearing metal runners for smooth gliding. The drawers also include a pull-out stop mechanism to prevent them from being accidentally pulled out completely. To remove a drawer, pull it out as far as possible, then press down on one safety buckle and lift up on the other, then pull the drawer out with force.

Cut-Out Handles: The drawers feature integrated cut-out handles for a clean, minimalist appearance.



Image: Top drawers open, illustrating storage capacity for smaller items.



Image: Lower drawers open, demonstrating storage for clothing and larger items.



Image: Dresser top surface with decorative items.

CARE AND MAINTENANCE

To maintain the appearance and longevity of your dresser, wipe surfaces with a dry cloth regularly. Avoid using harsh chemicals or abrasive cleaners, which can damage the finish. Promptly clean any spills to prevent staining.

TROUBLESHOOTING

- **Drawers not sliding smoothly:** Check that the drawer slides are properly aligned and free of obstructions. Ensure all screws on the slides are tightened.
- **Dresser feels unstable:** Verify that the anti-tipping kit is correctly installed and securely anchored to a wall stud. Ensure the dresser is placed on a level surface.
- **Missing or damaged parts:** If you encounter any missing or damaged components during assembly, please contact customer support for assistance.

PRODUCT SPECIFICATIONS

Feature	Detail
Brand	HOSTACK
Product Dimensions	15.7"D x 27.6"W x 43.5"H
Color	Rustic Brown
Style	Rustic
Room Type	Living Room, Hallway, Entryway, Bedroom
Furniture Finish	Brown
Product Care Instructions	Wipe with Dry Cloth
Assembly Required	Yes
Number of Drawers	6
Model Number	B0CCDRXPNL

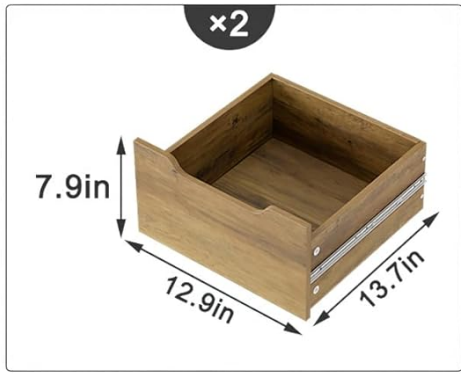


Image: Detailed dimensions of the dresser and its drawers.



Image: Close-up views of key features: cut-out handles, anti-tip mechanism, and drawer slides.

WARRANTY AND SUPPORT

For warranty information or assistance with your HOSTACK Modern 6-Drawer Dresser, please refer to the warranty card included with your product or contact HOSTACK customer support directly. Ensure you have your model number (B0CCDRXPNL) and purchase details available when contacting support.