

[Manuals.plus](#) /

› [Skraut Home](#) /

› Skraut Home Wall-Mounted TV Cabinet with Electric LED Fireplace - Model 49_23_02 User Manual

Skraut Home 49_23_02

Skraut Home Wall-Mounted TV Cabinet with Electric LED Fireplace - Model 49_23_02 User Manual

INTRODUCTION

Thank you for choosing the Skraut Home Wall-Mounted TV Cabinet with Electric LED Fireplace. This manual provides essential information for the safe assembly, operation, and maintenance of your new furniture. Please read all instructions carefully before beginning assembly and retain this manual for future reference.

Safety Warning: The electric LED fireplace is designed for aesthetic purposes only and does not generate heat. There is no risk of combustion. Ensure the product is installed securely according to the wall-mounting instructions to prevent accidents.



Image: The Skraut Home TV cabinet, featuring a central electric LED fireplace and two side storage modules, mounted on a wall beneath a television.

SETUP AND ASSEMBLY

This TV cabinet is designed for wall mounting. Proper installation is crucial for safety and stability. We recommend two people for assembly and installation.

Package Contents:

- Electric LED Fireplace Unit
- TV Module with Electronic Device Storage and Drop-Down Door (102 cm wide)
- TV Module with Large Capacity Door (51 cm wide)
- Assembly Hardware (screws, wall anchors, brackets)
- Instruction Manual

Note: All packages are designed for easy transport, weighing less than 30 kg and measuring less than 120 cm.

Assembly Steps:

- 1. Unpack Components:** Carefully remove all parts from the packaging. Verify all components against the parts list in the separate assembly guide.
- 2. Assemble Modules:** Follow the detailed instructions in the included assembly guide to construct the individual TV modules.
- 3. Wall Mounting:**
 - Determine the desired height and position for the TV cabinet on your wall.
 - Mark the drilling points for the wall brackets, ensuring they are level and spaced correctly for the modules.
 - Drill holes and insert appropriate wall anchors suitable for your wall type (e.g., concrete, drywall).
 - Secure the mounting brackets to the wall.
 - Carefully lift and attach the assembled TV modules to the wall brackets. Ensure they are securely fastened.
- 4. Install Electric Fireplace:** Insert the electric LED fireplace unit into its designated central opening within the TV cabinet structure.
- 5. Connect Power:** Plug the electric fireplace into a standard electrical outlet.

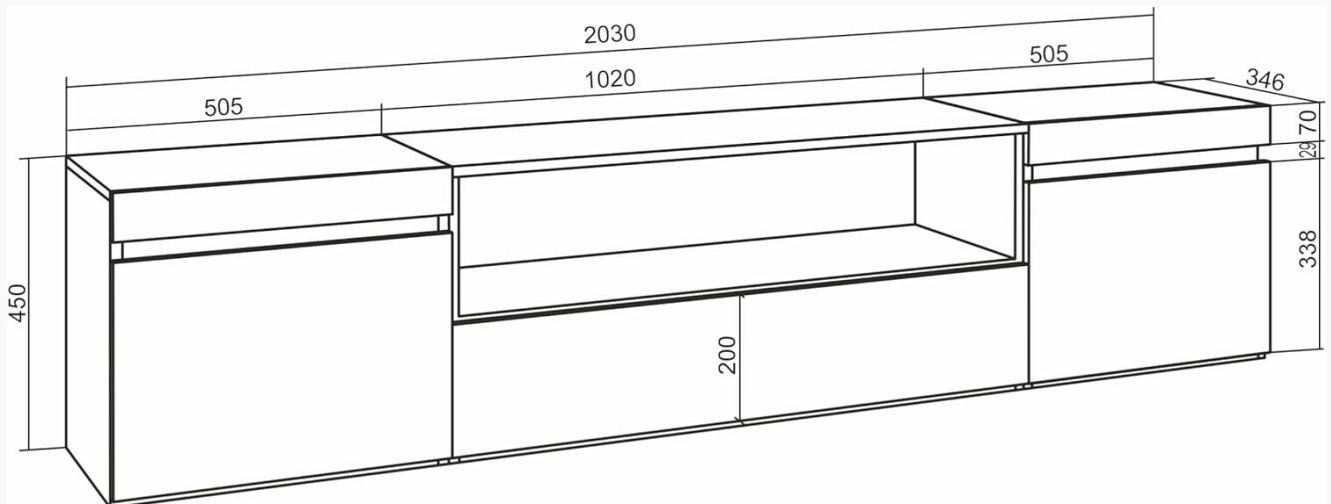


Image: A technical diagram illustrating the overall dimensions of the TV cabinet, including the 2030mm total width and individual module widths (505mm for side modules, 1020mm for the central module).



Image: A technical diagram detailing the dimensions of the TV cabinet, specifically highlighting the central fireplace module's width of 1020mm and the side modules' width of 505mm, along with the overall height and depth.

OPERATING THE ELECTRIC LED FIREPLACE

The integrated electric LED fireplace provides a realistic 3D flame effect without heat, enhancing the ambiance of your living space.

Power and Controls:

- The electric fireplace operates by connecting to an electrical outlet. It does not use batteries for its main power.
- A remote control is included for convenient operation. **Note:** The remote control requires batteries, which are not included.
- The fireplace features 3 intensity levels for the flame effect, allowing you to adjust the visual display to your preference.

Using the Remote Control:

1. Insert the required batteries into the remote control.
2. Point the remote control towards the fireplace unit.
3. Press the power button to turn the flame effect on or off.
4. Use the intensity buttons to cycle through the 3 available flame intensity levels.



SKRAUT HOME



Image: A detailed view of the electric LED fireplace unit, showcasing its realistic 3D flame effect and internal log design.

MAINTENANCE

To ensure the longevity and appearance of your Skraut Home TV cabinet, follow these maintenance guidelines:

- **Cleaning Surfaces:** Wipe surfaces with a soft, damp cloth. Avoid abrasive cleaners or harsh chemicals that may damage the melamine finish.
- **Dusting:** Regularly dust the cabinet with a dry, soft cloth to prevent buildup.
- **Spills:** Clean up spills immediately to prevent staining or damage to the material.
- **Fireplace Unit:** The LED fireplace unit requires minimal maintenance. Ensure the front glass is clean for optimal flame visibility. Do not attempt to open or service the internal components.
- **Hardware:** Periodically check all assembly hardware and wall mounting screws to ensure they remain tight and secure.



Image: The Skraut Home TV cabinet with its side storage doors open, demonstrating the internal storage capacity for electronic devices and other items.

TROUBLESHOOTING

If you encounter issues with your TV cabinet or electric fireplace, refer to the following common solutions:

- **Missing Assembly Parts:** If any parts are missing upon unpacking, please contact Skraut Home customer service immediately for assistance. Do not attempt to assemble the unit with incomplete parts.
- **Fireplace Not Turning On:**
 - Ensure the fireplace unit is securely plugged into a functional electrical outlet.
 - Check if the remote control has fresh batteries installed correctly.
 - Verify that the power switch on the fireplace unit itself (if present) is in the 'on' position.
- **Unstable Wall Mounting:** If the cabinet feels unstable after mounting, immediately remove any items from it and re-check the wall anchors and brackets. Ensure they are appropriate for your wall type and installed correctly. Consult a professional if unsure.

- **Doors Not Closing Properly:** Check hinges for proper alignment and tightness. Adjust as needed according to the assembly guide.

SPECIFICATIONS

Feature	Detail
Model Number	49_23_02
Overall Dimensions (L x D x H)	200 cm x 35 cm x 45 cm
Recommended TV Size	Up to 80 inches (203 cm)
Material	Melamine
Color	Black and White
Mounting Type	Wall-Mounted
Electric Fireplace Dimensions	102 cm (width) x 21 cm (height)
Electric Fireplace Power	34 W
Fireplace Features	Realistic 3D flame effect, 3 intensity levels, remote control included (batteries not included)
Special Features	TV module with storage for electronic devices and drop-down door, large capacity module with door
Product Weight	490 g (Note: This weight seems unusually low for furniture of this size and may refer to a specific component or be an error in the source data. Please refer to actual product packaging for accurate weight.)

WARRANTY AND SUPPORT

Skraut Home products come with a **2-year warranty**. This warranty covers manufacturing defects and ensures the quality of your product.

For any questions, missing parts, or warranty claims, please contact Skraut Home customer service. Our team is dedicated to providing excellent support and permanent access to parts and spare components.

Please visit the official Skraut Home website or refer to your purchase documentation for specific contact information.

