



Manuals.plus /

› WINGBO /

› WINGBO 64-inch ABS DC Ceiling Fan with Lights User Manual

WINGBO 1

WINGBO 64-inch ABS DC Ceiling Fan with Lights User Manual

INTRODUCTION

Thank you for choosing the WINGBO 64-inch ABS DC Ceiling Fan with Lights. This manual provides essential information for the safe installation, operation, and maintenance of your new ceiling fan. Please read these instructions thoroughly before beginning installation and retain them for future reference.

Important Safety Instructions

- Always disconnect power at the main circuit breaker before installation or servicing.
- Ensure all electrical connections comply with local codes and ordinances. If you are unsure, consult a qualified electrician.
- The mounting bracket must be securely fastened to a building structure capable of supporting the fan's weight.
- Do not bend the blade holders during installation or cleaning.
- Ensure there is adequate clearance between the fan blades and any obstacles.
- This fan is designed for indoor use and damp locations.

PACKAGE CONTENTS

Verify that all components are present before beginning installation:

- Ceiling Fan Motor Assembly
- 5 ABS Wood Grain Blades
- Mounting Bracket
- Downrods (4.5-inch and 12-inch options)
- Canopy and Coupling Cover
- LED Light Kit
- Remote Control with Receiver
- Hardware Pack (screws, washers, wire nuts)



The WINGBO 64-inch ceiling fan with five wood-grain ABS blades, integrated LED light, and remote control.

Remote Control



The included remote control allows adjustment of 6 fan speeds, 3 light colors, timer settings, and reversible motor direction.

SETUP AND INSTALLATION

Follow these steps carefully to install your WINGBO ceiling fan. It is recommended to have two people for installation.

Pre-Installation Steps

- Turn off power at the circuit breaker.
- Ensure the mounting location is suitable and can support the fan's weight.
- Gather necessary tools: screwdriver, wire strippers, ladder.

Mounting the Bracket

Secure the mounting bracket to the ceiling junction box using the provided screws. Ensure it is firmly attached and stable.

Assembling the Fan Motor and Blades

Attach the five ABS wood-grain blades to the fan motor assembly using the provided screws. Ensure each

blade is securely fastened.

At a glance...

Perfect design brings you the double enjoyment of practicality and decoration



01
0-15°
Ceiling Mounting



02
24W LED Lights



03
ABS Plastic
Blades

Key features include compatibility with sloped ceilings up to 15 degrees, a 24W CCT LED light kit, and durable ABS plastic blades.



The fan's blades are made from high-grade, weather-resistant ABS plastic with a luxurious grey wood-grain finish, offering durability and quiet operation.

Wiring the Fan

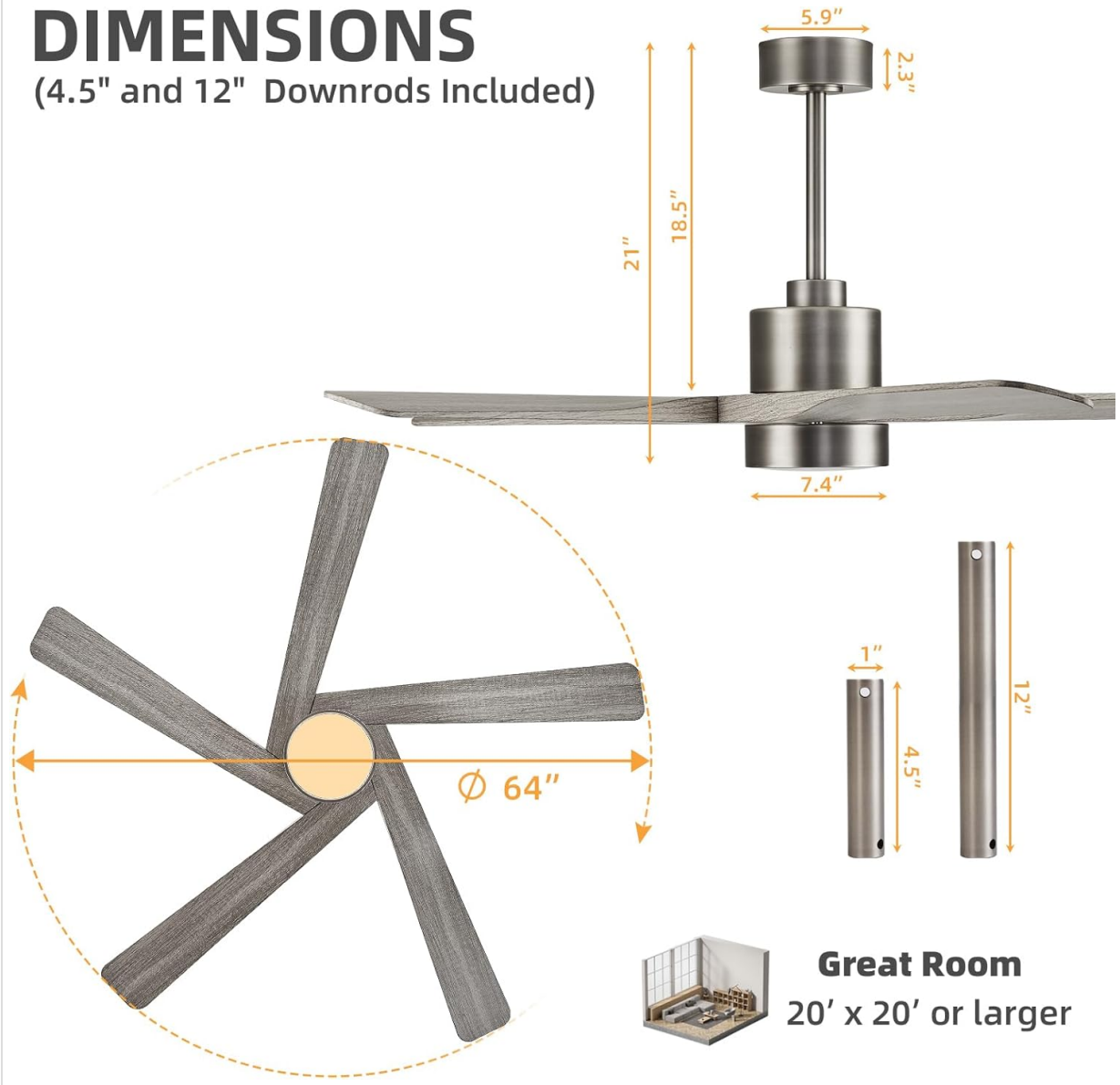
Connect the fan's electrical wires to the household wiring according to the wiring diagram in the separate installation guide. Ensure all connections are secure with wire nuts. Install the receiver for the remote control within the canopy.

Attaching the Downrod and Canopy

Insert the chosen downrod (4.5-inch or 12-inch) through the canopy and coupling cover, then secure it to the fan motor. Carefully lift the fan assembly and hang it on the mounting bracket. Connect the safety cable.

DIMENSIONS

(4.5" and 12" Downrods Included)



Detailed dimensions of the fan, including the 64-inch blade span and the 21-inch total height with the 12-inch downrod. Also shows 4.5-inch downrod option.

Warm Light
3000K

Natural Light
4500K

Cool Light
6000K

64" CEILING FAN

Remote control Noiseless DC motor Reversible

3000K 4500K 6000K

The fan can be installed on sloped ceilings up to 15 degrees, offering flexible mounting options.

Installing the LED Light Kit

Connect the LED light kit wires to the fan motor's light wires. Secure the LED light kit to the bottom of the fan motor. Finally, attach the light shade by twisting it into place.

REVERSE CYCLE MODE



SUMMER SEASON



THE FAN SPINS IN AN ANTI-CLOCKWISE DIRECTION TO CREATE DOWNDRAFTS DURING SUMMER



WINTER SEASON



THE FAN SPINS IN A CLOCKWISE DIRECTION TO CREATE UPDRAFTS DURING WINTER

The integrated LED light kit offers three color temperature options: Warm Light (3000K), Natural Light (4500K), and Cool Light (6000K).

Installation Videos

This video provides a step-by-step guide for installing the WINGBO ABS Ceiling Fan with Lights, covering assembly, wiring, and mounting procedures.

Watch this video for instructions on how to replace an existing ceiling fan with a WINGBO 64-inch ceiling fan, detailing the removal of the old unit and installation of the new one.

OPERATING INSTRUCTIONS

Your WINGBO ceiling fan is operated using the included remote control.

Remote Control Functions

- **Power Button:** Turns the fan and light ON/OFF.
- **Fan Speed:** Select from 6 different fan speeds (1-6).
- **Light Control:** Adjust the LED light brightness and switch between Warm (3000K), Natural (4500K), and Cool (6000K) light temperatures.
- **Timer Function:** Set the fan to turn off automatically after 1, 2, 4, or 8 hours.
- **Reverse Function:** Change the direction of the fan blades for summer (downdraft) or winter (updraft)

operation.

Remote Control



The included remote control allows adjustment of 6 fan speeds, 3 light colors, timer settings, and reversible motor direction.

REVERSE CYCLE MODE



SUMMER SEASON



THE FAN SPINS IN AN ANTI-CLOCKWISE DIRECTION TO CREATE DOWNDRAFTS DURING SUMMER



WINTER SEASON



THE FAN SPINS IN A CLOCKWISE DIRECTION TO CREATE UPDRAFTS DURING WINTER

The integrated LED light kit offers three color temperature options: Warm Light (3000K), Natural Light (4500K), and Cool Light (6000K).



The fan features a reversible DC motor for year-round comfort. In summer, it creates a downdraft for cooling, and in winter, an updraft to circulate warm air.

Fan Operation Video

This video showcases the WINGBO ABS Ceiling Fan with Lights in Nickel and Grey finish, demonstrating its quiet operation, light features, and airflow.

MAINTENANCE

Care and Cleaning

- Always turn off the power before cleaning your fan.
- Use a soft brush or lint-free cloth to avoid scratching the finish.
- Do not use water or harsh detergents, as this could damage the motor or blades.
- Periodically check all connections and screws for tightness.

TROUBLESHOOTING

If you experience issues with your fan, refer to the following table for common problems and solutions:

Problem	Possible Cause	Solution
Fan does not start	No power to the fan; Loose wire connections; Remote control battery low.	Check circuit breaker; Verify all wiring connections; Replace remote control battery.
Fan is noisy	Loose screws on fan blades or mounting bracket; Fan blades are unbalanced.	Tighten all screws; Use a balancing kit (not included) to balance blades.
Light does not work	Loose wire connection to light kit; Faulty LED light kit.	Check light kit wiring; Contact customer support for replacement.
Remote control not working	Battery low or incorrectly installed; Receiver not paired with remote.	Replace battery, ensure correct polarity; Refer to remote pairing instructions in the full manual.

SPECIFICATIONS

Key technical details for your WINGBO ceiling fan:

Feature	Detail
Brand	WINGBO
Model Name	1
Size	64 inches
Color	Antique Nickel and Grey
Motor Type	DC (6-Speed, Reversible)
Number of Blades	5
Blade Material	ABS Wood Grain
Light Kit	24W CCT LED (3000K, 4500K, 6000K)
Control Method	Remote
Product Dimensions	64"D x 64"W x 21"H
Item Weight	23.6 pounds
Installation Type	Downrod Mount (Sloped Ceiling up to 15°)
Indoor/Outdoor Usage	Indoor (Damp Locations)

WARRANTY AND SUPPORT

Warranty Information

Your WINGBO ceiling fan is covered by a manufacturer's warranty against defects in materials and workmanship. Please refer to the product packaging or original purchase documentation for specific warranty terms and duration. Keep your proof of purchase for warranty claims.

Customer Support

For technical assistance, troubleshooting not covered in this manual, or warranty inquiries, please contact WINGBO customer support. Contact information can typically be found on the product packaging or the official WINGBO website.