



[Manuals.plus](#) /

› [Hunter](#) /

› Hunter Seawall 52416 52-inch Ceiling Fan Instruction Manual

Hunter 52416

Hunter Seawall 52416 52-inch Ceiling Fan Instruction Manual

Model: 52416 | Brand: Hunter

INTRODUCTION

This manual provides detailed instructions for the safe installation, operation, and maintenance of your Hunter Seawall 52416 52-inch ceiling fan. Please read all instructions carefully before beginning installation and retain this manual for future reference.

IMPORTANT SAFETY INFORMATION

Always disconnect power at the circuit breaker before installation or servicing. Ensure all electrical connections comply with local codes and ordinances. Consult a qualified electrician if you are unsure about wiring procedures. Mount the fan to a ceiling joist or support structure capable of supporting the fan's weight. Keep hands clear of fan blades during operation.

WHAT'S INCLUDED

The Hunter Seawall 52416 ceiling fan package includes the following components:

Hunter

52
INCHES

SEAWALL

2 LED Bulbs



5 Blades



Downrod
3in included



Wall
Control



Included In The Box

Image: Included components for the Hunter Seawall 52416 ceiling fan, showing 2 LED bulbs, 5 blades, a 3-inch downrod, and a wall control unit.

- Ceiling Fan Unit
- 5 Fan Blades
- 2 LED Bulbs
- 3-inch Downrod
- Integrated Control System - Wall Control
- Mounting Hardware
- Instruction Manual

SETUP AND INSTALLATION

Installation should be performed by a qualified individual. Ensure the power is off at the circuit breaker before starting. Follow the detailed steps below:

1. **Mounting Bracket Installation:** Secure the mounting bracket to the ceiling outlet box and ceiling joist using appropriate hardware.
2. **Wiring:** Connect the fan's electrical wires to the household wiring according to the wiring diagram provided in the separate wiring guide.
3. **Downrod Assembly:** Insert the downrod through the canopy and hang the fan motor assembly onto the mounting bracket.
4. **Blade Attachment:** Attach each of the 5 fan blades to the blade irons, then secure the blade irons to the motor housing.
5. **Light Kit Installation:** Connect the light kit wiring and secure the light kit to the fan motor housing. Install the 2 LED bulbs.
6. **Canopy Installation:** Raise the canopy to cover the mounting bracket and secure it in place.
7. **Wall Control Installation:** Install the wall control unit in a standard wall switch box, following the wiring instructions provided with the control.



Image: A Hunter Seawall ceiling fan, model 52416, shown installed on a porch ceiling, demonstrating its outdoor suitability. For detailed wiring diagrams and step-by-step visual guides, refer to the full installation manual included in the product packaging.

OPERATING INSTRUCTIONS

The Hunter Seawall 52416 fan is operated using the included wall control. It features a 3-speed reversible WhisperWind motor and an integrated LED light.

Fan Speed Control

Use the fan speed buttons on the wall control to select your desired airflow. The fan offers three speeds: Low, Medium, and High.

Hunter

WHISPERWIND® MOTOR

Adjustable to work in any space.



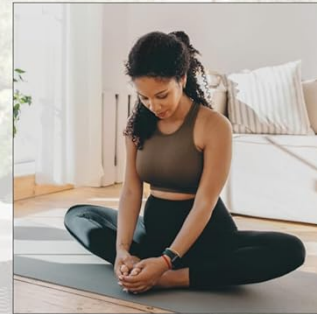
LOW-SPEED

Suitable for Sleeping



MEDIUM-SPEED

Suitable for Relaxing



HIGH-SPEED

Suitable for Activities

Image: The Hunter Seawall ceiling fan in an outdoor setting, with illustrations demonstrating optimal use for low speed (sleeping), medium speed (relaxing), and high speed (activities).

Reversible Motor Function

The WhisperWind motor allows for seasonal use. A switch on the motor housing (or on the wall control, depending on the model) controls the direction of blade rotation.

- **Summer Mode (Counter-clockwise):** Set blades to spin counter-clockwise to create a downdraft, providing a cooling effect.

- **Winter Mode (Clockwise):** Set blades to spin clockwise on low speed to create an updraft, circulating warm air trapped near the ceiling.



Image: A visual guide illustrating the reversible motor function of the Hunter Seawall fan, showing how to set blades for summer mode (counter-clockwise for downdraft) and winter mode (clockwise for updraft).

LED Light Operation

The integrated LED light can be turned on/off and dimmed using the dedicated buttons on the wall control.

MAINTENANCE

Regular maintenance ensures optimal performance and longevity of your ceiling fan.

- **Cleaning:** Clean the fan housing and blades with a soft, damp cloth. Do not use abrasive cleaners or solvents.
- **Blade Tightness:** Periodically check all blade screws for tightness. Loose screws can cause wobbling and noise.

- **Light Bulbs:** The fan uses integrated LED bulbs. If replacement is needed, consult Hunter customer support for compatible parts.
- **Outdoor Use:** As a WeatherMax outdoor fan, it is designed to withstand outdoor elements. However, occasional cleaning of accumulated dirt or debris will help maintain its appearance and function.

Outdoor Wet



WeatherMax®

Image: The WeatherMax logo, signifying the fan's corrosion-resistant and weather-engineered design for outdoor use.

TROUBLESHOOTING

Problem	Possible Cause	Solution
Fan does not start	No power to the fan; Loose wire connections; Incorrect wiring.	Check circuit breaker and wall switch. Ensure all wire connections are secure. Verify wiring against the installation manual.
Fan wobbles	Loose blade screws; Unbalanced blades; Improper mounting.	Tighten all blade screws. Use the included balancing kit if necessary. Ensure the mounting bracket is securely fastened to the ceiling.
Noisy operation	Loose screws; Motor hum; Blades hitting an obstruction.	Check and tighten all screws. Ensure no blades are hitting anything. Allow a break-in period for new motors.
Light does not work	Loose wire connection; Faulty LED bulb.	Check light kit wiring connections. Replace LED bulb if necessary (contact support for compatible bulbs).

SPECIFICATIONS

- **Model:** 52416 Seawall
- **Brand:** Hunter
- **Size:** 52 inches
- **Color:** Matte Silver
- **Motor:** WhisperWind Reversible Motor (3-speed)
- **Light:** Integrated LED Light
- **Control:** Wall Control
- **Mounting:** Standard Profile Mounting (3-inch downrod included)
- **Indoor/Outdoor Usage:** Outdoor (Wet-rated, WeatherMax corrosion resistance)
- **Blade Material:** Plastic (Droop-free)

- **Wattage:** 46 watts
- **UPC:** 049694524164

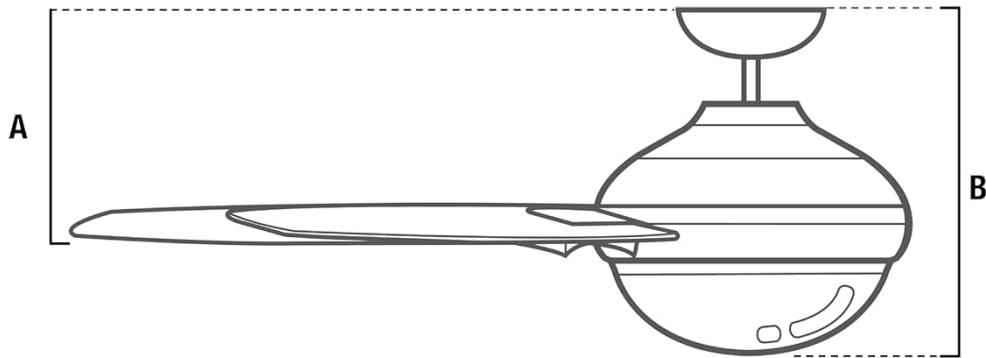
Hunter

52
INCHES

LARGE ROOM

52416

Fan Design May Vary



Standard:

3in downrod included

A: 10.08

B: 14.63

Angled:

36in downrod not included

A: 43.08

B: 47.63

Fan Dimensions

Image: Fan dimensions diagram for the Hunter Seawall 52-inch fan, detailing measurements for standard (3-inch downrod) and angled (36-inch downrod not included) mounting options.

WARRANTY AND SUPPORT

The Hunter Seawall 52416 ceiling fan comes with a **Limited Lifetime Motor Warranty**. For warranty claims, technical support, or replacement parts, please contact Hunter customer service. Hunter Fan Company has been trusted for over 135 years, with a certified in-house testing lab ensuring product safety and longevity.

For more information, visit the official Hunter website or refer to the contact details provided in your product packaging.

Your browser does not support the video tag.

Video: Hunter - A Leader in Quality Through Testing & Certification. This video highlights Hunter's rigorous testing processes, including blade iron shake tests, accelerated life tests for electronic components, CFM tests, and rain tests for outdoor fans, ensuring

product safety and reliability.

Your browser does not support the video tag.

Video: Hunter Brand Video - Since 1886. This video showcases Hunter's long history and commitment to innovation in ceiling fan design, highlighting features like SureSpeed technology, WeatherMax durability, and Simple Connect smart technology.

Your browser does not support the video tag.

Video: SureSpeed Technology Testimonials by Hunter. This video features testimonials from users experiencing the enhanced cooling power of Hunter's SureSpeed technology, which delivers increased air velocity.

Your browser does not support the video tag.

Video: WeatherMax Extreme Weather Fans by Hunter. This video demonstrates the durability and corrosion resistance of Hunter's WeatherMax fans, engineered to withstand harsh outdoor weather conditions.

Your browser does not support the video tag.

Video: Why Choose Hunter? Quality, Innovation, Long Lasting. This video emphasizes Hunter's commitment to quality, innovation, and long-lasting products, highlighting their extensive history and engineering expertise.