



[Manuals.plus](#) /

> [BRANO](#) /

> BRANO 30-inch Wall Mount Range Hood (Model TW03S-30) Instruction Manual

BRANO TW03S-30

BRANO 30-inch Wall Mount Range Hood (Model TW03S-30) Instruction Manual

Your guide to installation, operation, and maintenance.

1. INTRODUCTION

Thank you for choosing the BRANO 30-inch Wall Mount Range Hood. This appliance is designed to enhance your kitchen environment by efficiently removing smoke, grease, and odors. Featuring advanced voice, gesture, and touch controls, along with powerful suction and adjustable LED lighting, this range hood offers convenience and performance. Please read this manual thoroughly before installation and operation to ensure proper use and maintenance.



Figure 1: BRANO 30-inch Wall Mount Range Hood

2. SAFETY INFORMATION

Always follow basic safety precautions when using electrical appliances to reduce the risk of fire, electric shock, or injury. This appliance is for domestic use only.

- Ensure proper installation by a qualified technician in accordance with all local codes and standards.
- Do not operate any fan with a damaged cord or plug. Discard fan or return to an authorized service facility for examination and/or repair.
- Do not use this unit with any solid-state speed control device.
- Clean grease filters frequently. Grease should not be allowed to accumulate on fan or filter.
- Never leave surface units unattended at high settings. Boil-overs cause smoking and greasy spillovers that may ignite.
- Always turn hood ON when cooking at high heat or when flaming food.
- Use appropriate pan size for each surface unit.

3. PACKING LIST

Verify that all components are present before beginning installation:

- Range hood *1
- 30" Baffle Filters *2
- Oil Cup *1
- Duct Adapter *1
- Charcoal filter *1
- M4-6mm Big Head Screws *6
- Anchor Screws *4
- Self-drilling Plastic Drywall Anchors *4
- User manual *1

4. REQUIRED TOOLS

The following tools are typically required for installation:

- Level
- Cutter
- Pencil
- Tape Measure
- Hammer
- Electric Drill

5. INSTALLATION INSTRUCTIONS

Proper installation is crucial for the performance and safety of your range hood. Refer to the detailed diagrams and videos below for guidance. The recommended distance between the stovetop and the bottom of the range hood is 24 to 30 inches.

5.1 Product Dimensions and Mounting

Product Dimension

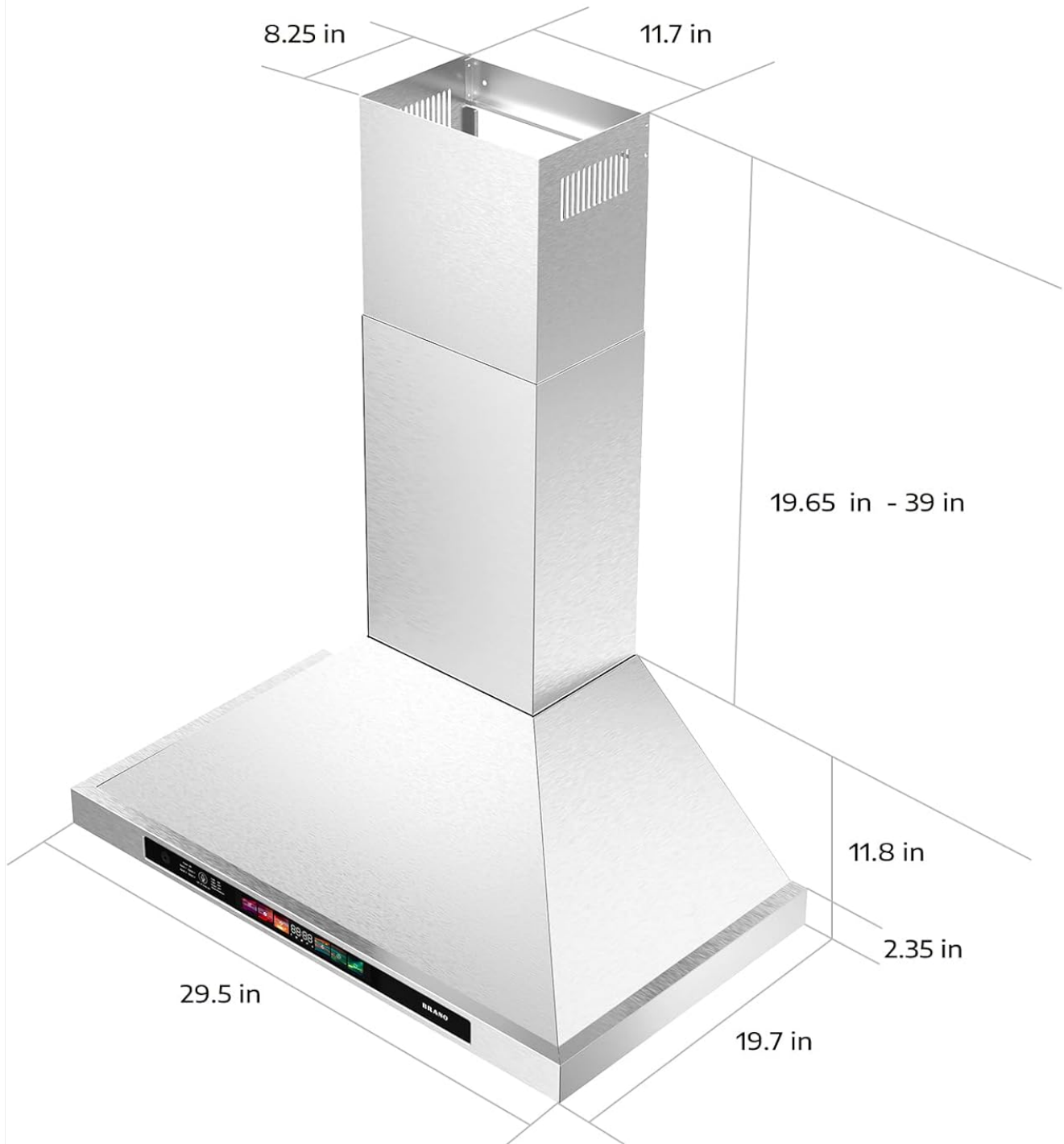


Figure 2: Product Dimensions (19.7 x 29.5 x 50.8 inches)

Measure and mark the installation position on the wall, ensuring it is level and within the recommended height range. Use the provided mounting plate and hardware to secure the hood to the wall. For concrete walls, use the self-drilling plastic drywall anchors.

5.2 Duct Adapter and Vent Pipe Installation

Attach the duct adapter to the range hood body using the supplied screws. Connect the 6-inch vent pipe to the duct adapter and ensure a secure connection to your ventilation system. The range hood supports both ducted and ductless ventilation types.

5.3 Chimney Installation

Install the upper and lower chimney sections. Fix the upper chimney to the hood body with the screws supplied. Ensure the

chimney covers the vent pipe and provides a clean, finished look.

5.4 Installation Videos

Video 1: Wall Mounted Range Hood Installation Guide. This video demonstrates the step-by-step process of installing the range hood, including attaching the duct adapter and securing the chimney sections.

Video 2: Brano Wall Mount Range Hood Installation Video 03S. A detailed visual guide for the installation of the Brano wall mount range hood, model 03S.

6. OPERATING INSTRUCTIONS

Your BRANO range hood offers multiple control options for ease of use.

6.1 Voice Control

Activate voice control by saying "Hi, Andy." You can then issue commands such as:

- "Power on" / "Power off"
- "Speed one" / "Speed two" / "Speed three" / "Speed four"
- "Light on" / "Light off"
- "Delay shutdown" (activates a 3-minute delay before turning off)



Figure 3: Voice Control in action

6.2 Gesture Control

Wave your hand across the sensing points on the control panel to adjust fan speeds and turn the unit on/off:

- Wave right: Increase fan speed.
- Wave left: Decrease fan speed.
- Wave to turn on/off.



Figure 4: Gesture Sensing Control

6.3 Touch Control

The sleek display panel allows for direct touch control of all functions:

- Power Button: Turns the unit on or off.
- Speed Buttons: Adjusts between 4 fan speeds.
- Light Button: Toggles the LED lights. Press and hold for 3 seconds to adjust brightness.
- Timer Button: Sets a delay shutdown.

6.4 LED Adjustable Lights

The range hood is equipped with 4 brightness-adjustable LED lights. Press and hold the light button for 3 seconds to cycle through brightness levels from 10% to 100%.

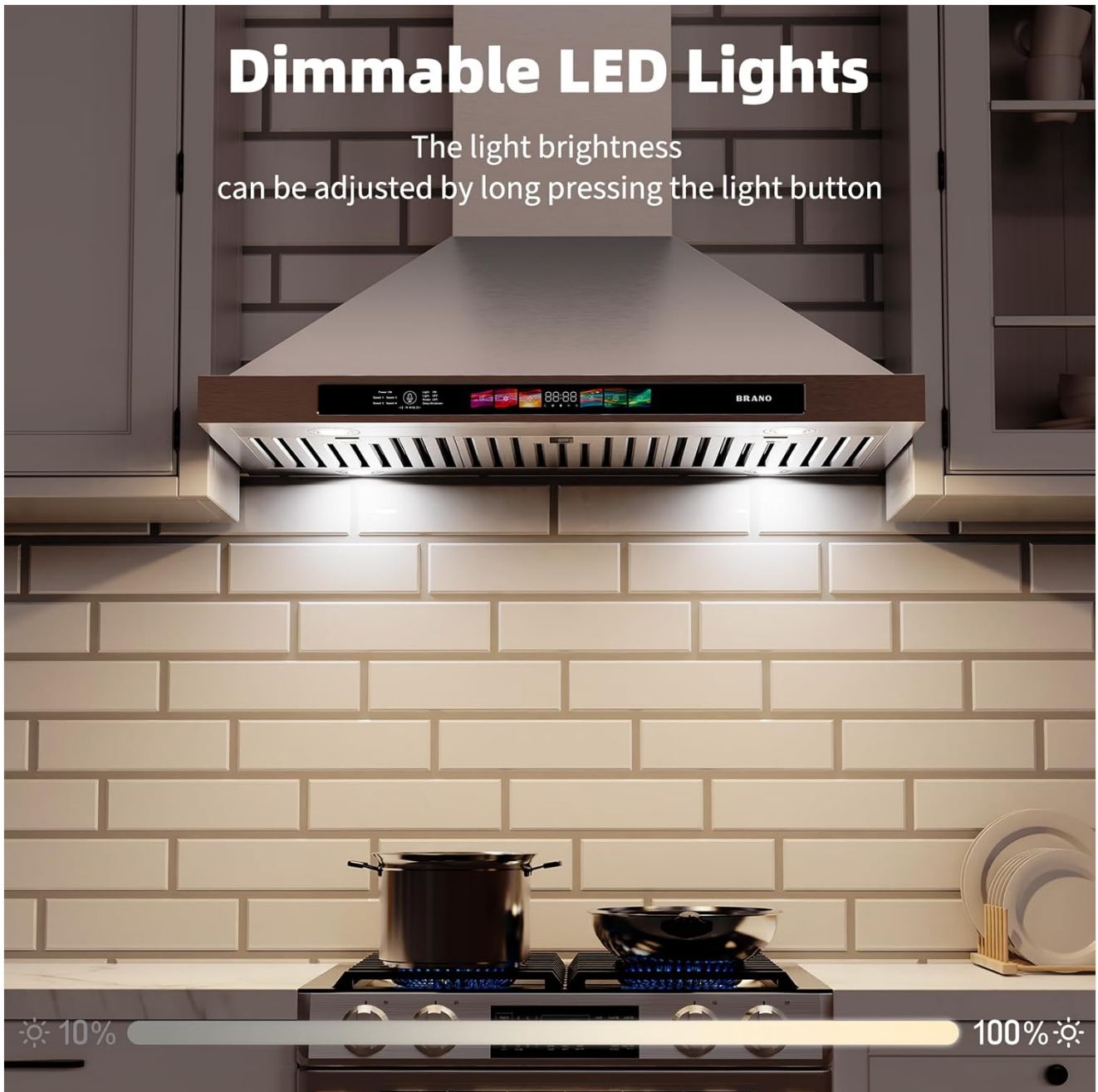


Figure 5: Dimmable LED Lights

6.5 Memory Mode

The innovative memory function saves your last settings for fan speed and light brightness. After a power outage or turning the unit off and on, it will resume operation with your previously selected settings, eliminating the need to reset them.

6.6 Operating Videos

Video 3: BRANO Smart Wall Mount Range Hood Features. This video showcases the smart features of the range hood, including voice, gesture, and touch controls.

Video 4: Wall Mount Smart Range Hood TW03s Demonstration. A brief demonstration of the smart functionalities and controls of the TW03s model.

7. MAINTENANCE

Regular maintenance ensures optimal performance and longevity of your range hood.

7.1 Cleaning Baffle Filters

The range hood includes 2 permanent stainless steel baffle filters. These filters are high-temperature resistant, effective against grease, stains, and rust, and are dishwasher-safe for easy cleaning. Simply remove them by pulling the small lever and place them in your dishwasher.



Figure 6: Permanent Baffle Filters

7.2 General Cleaning

Wipe the exterior of the range hood with a soft cloth and a mild, non-abrasive cleaner. Avoid using harsh chemicals or abrasive pads that could damage the stainless steel or toughened glass surfaces.

8. TROUBLESHOOTING

If you encounter any issues with your BRANO range hood, refer to the following common troubleshooting steps:

- **No Power:** Check if the power cord is securely plugged into a working outlet. Verify the circuit breaker has not tripped.
- **Fan Not Working:** Ensure the unit is powered on and the fan speed is selected. Check for any obstructions in the fan or ductwork.
- **Lights Not Working:** Confirm the light function is activated. If individual LED lights are out, they may require

replacement by a qualified technician.

- **Poor Suction:** Clean the baffle filters as accumulated grease can reduce airflow. Check for blockages in the ductwork. Ensure the correct fan speed is selected for the cooking task.
- **Excessive Noise:** Verify that the fan is securely mounted and there are no loose parts. Check for obstructions in the fan or ductwork.

If problems persist after attempting these steps, please contact customer support for assistance.

9. SPECIFICATIONS

Model Info	TW03S-30
Air Flow Capacity	900 Cubic Feet Per Minute (CFM)
Material	Stainless Steel
Noise Level	65 Decibels (max)
Mounting Type	Wall Mount
Controls Type	Voice, Gesture, Touch
Voltage	110 Volts (AC)
Number of Speeds	4
Item Weight	49.2 Pounds
Light Source Type	LED
Wattage	236 watts
Filter Type	Baffle
Ventilation Type	Ducted and Ductless
Product Dimensions	19.7 x 29.5 x 50.8 inches
Special Features	Delay Shutdown, Gesture Sensing, Powerful Airflow, Timer, Voice Control

10. WARRANTY AND SUPPORT

BRANO offers a comprehensive warranty for your peace of mind:

- **Motor:** 10 years of maintenance.
- **LED Lights and Switch:** 5 years of maintenance.

For customer support, please refer to the contact information provided with your purchase documentation or visit the official BRANO website.