

JOEAONZ B1670T

JOEAONZ 30 Inch 800 CFM Range Hood Insert User Manual

MODEL: B1670T

1. Important Safety Information

Please read this manual thoroughly before installation and operation. Keep these instructions for future reference. Failure to follow these instructions may result in property damage, personal injury, or death.

- Always disconnect power before servicing or cleaning the unit.
- Installation must be performed by a qualified technician in accordance with all local codes and standards.
- Ensure proper ventilation for combustion gases from fuel-burning equipment to prevent back-drafting.
- Do not operate the range hood without filters in place.
- Never leave surface cooking units unattended at high settings.
- Clean grease filters regularly to prevent grease fires.

2. Product Overview

The JOEAONZ B1670T is a 30-inch insert range hood designed for integration into kitchen cabinetry. It features an 800 CFM airflow capacity, gesture and touch controls, dual LED lighting, and a two-step filtration system. It supports both ducted and ductless (recirculating) installation.



Image: Front view of the JOEAONZ 30 Inch Range Hood Insert, showcasing its sleek black glass panel and integrated LED lights.

3. Setup and Installation

3.1 Pre-Installation Checks

- Verify that the cabinet opening dimensions match the range hood specifications (11.4"D x 27.8"W x 11.5"H).
- Ensure adequate electrical supply (120 Volts) is available.
- Determine if ducted or ductless installation is required.

3.2 Dimensions

Size Details

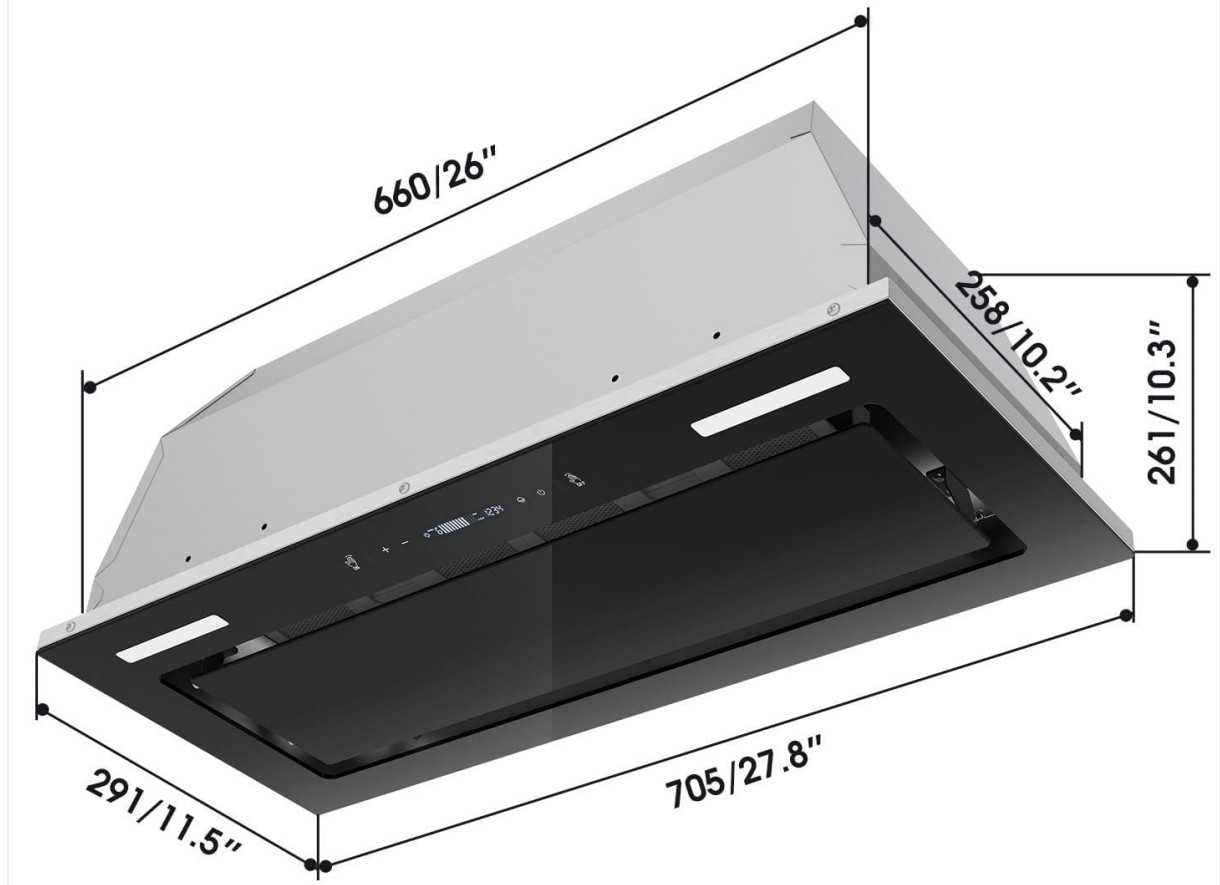


Image: Diagram illustrating the precise dimensions of the range hood insert, including width (27.8 inches), depth (11.5 inches), and height (10.2 inches).

3.3 Ducted vs. Ductless Installation

The B1670T supports both ducted and ductless configurations. For ducted installation, connect the exhaust outlet to existing ductwork. For ductless (recirculating) installation, charcoal filters (model YYCF02, sold separately) are required to filter and recirculate air back into the kitchen.



Image: A charcoal filter, essential for converting the range hood to a ductless, recirculating system. This filter captures odors and impurities before returning air to the kitchen.

4. Operating Instructions

4.1 Control Panel Overview

The range hood features a black glass touch panel and gesture control for convenient operation.

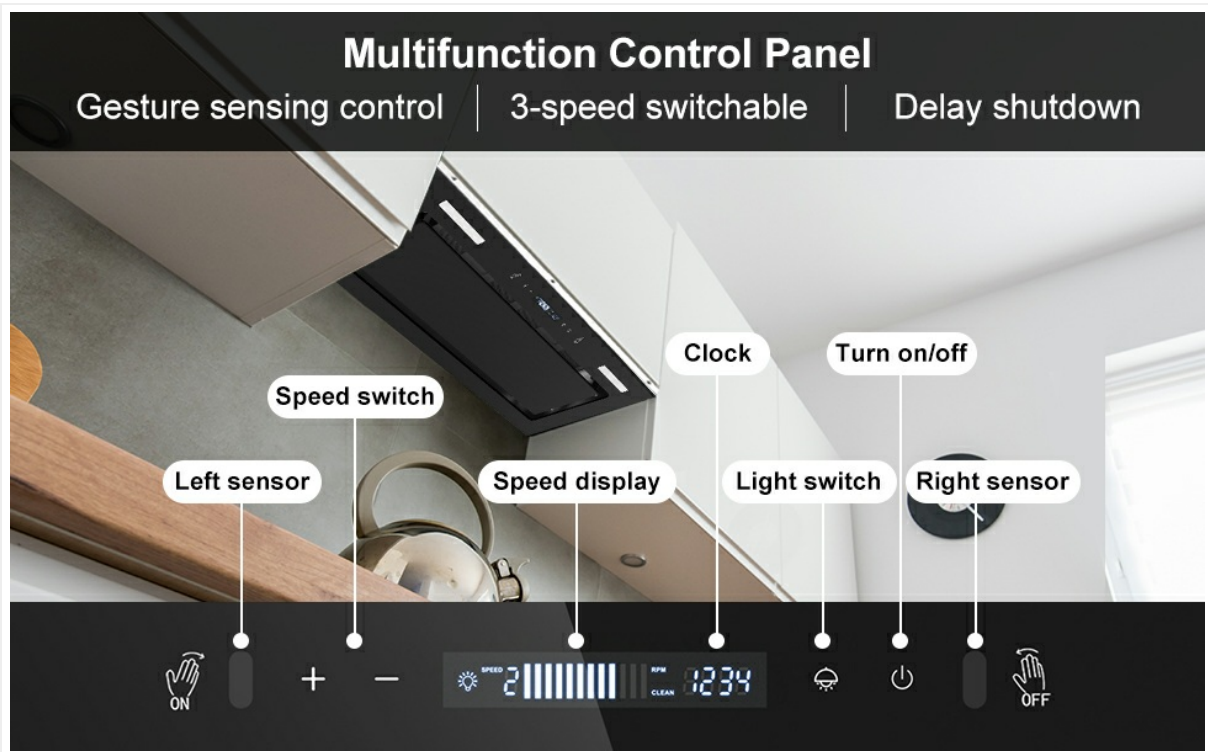


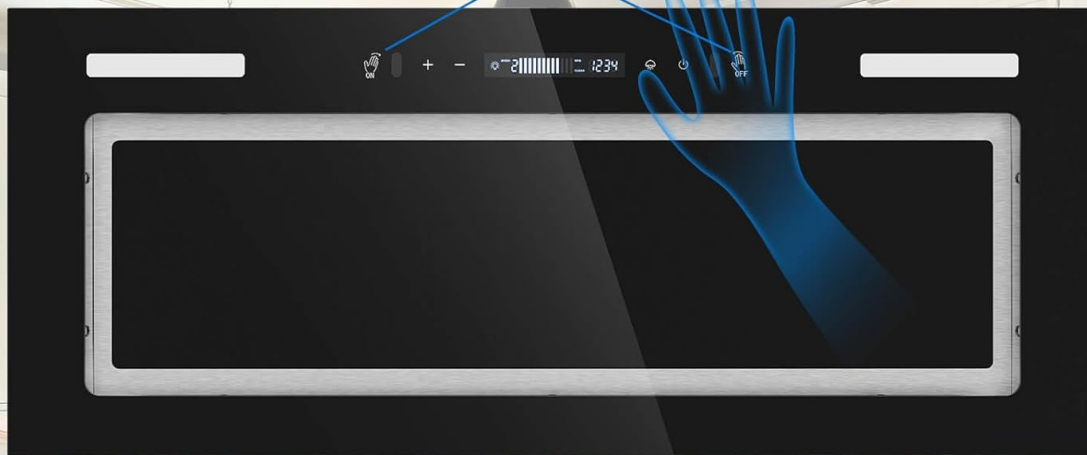
Image: Detailed view of the multifunction control panel, indicating buttons for power, light, speed adjustment, and gesture sensors.

4.2 Gesture Control

To activate gesture control, wave your hand across the sensing points on the control panel. Moving your hand from left to right increases fan speed, and from right to left decreases it. This allows for hands-free operation during cooking.

Black Tempering Glass Gesture & Touch Control

Two Sensing Point



Gesture Sensing Control

During the cooking process, you can control the range hood through gestures without worrying about getting your hands dirty.

Notice: Gesture sensing control will only take effect after the palm passes through two sensing points.

Image: Illustration demonstrating the gesture control feature, where a hand motion across two sensing points adjusts the fan speed without physical contact.

4.3 Fan Speed Settings

The range hood offers 3 adjustable fan speeds. Use the touch controls or gesture control to select the appropriate speed for your cooking needs, from low for simmering to high for frying.

4.4 Delay Shutdown Function

The unit includes a delay shutdown feature, typically set to 5 minutes (adjustable). This allows the fan to continue operating for a short period after cooking is complete, ensuring thorough removal of residual fumes and odors.

4.5 Dual LED Lighting

Activate the dual LED lights via the touch panel to illuminate your cooking surface. The lights provide balanced illumination for enhanced visibility.



Dual Led Balanced Lighting

Dual led provide balanced lighting during your cooking. Whether you are cooking on the left or right side of the stove, JOEAONZ insert range hood can provide sufficient lighting.

Image: The range hood installed above a stove, with its dual LED lights brightly illuminating the cooking area, demonstrating effective lighting coverage.

5. Maintenance

5.1 Filter Cleaning

The range hood utilizes a two-step filtration system with mesh filters. Regular cleaning of these filters is crucial for maintaining optimal performance and preventing grease buildup.

- Remove the mesh filters by disengaging their latches.
- Clean filters with warm, soapy water or place them in a dishwasher.
- Ensure filters are completely dry before re-installing.



Upgraded two step filtration

The B1670T insert range hood uses two step filtration of glass and metal.

The black tempered glass baffle can play a role in guiding the flow of oil fumes to the air inlet more effectively, expanding the area of oil fumes absorption. Combined with 3-layer mesh filters, it can effectively filter the oil fume generated during cooking, keeping the kitchen clean and odorless.

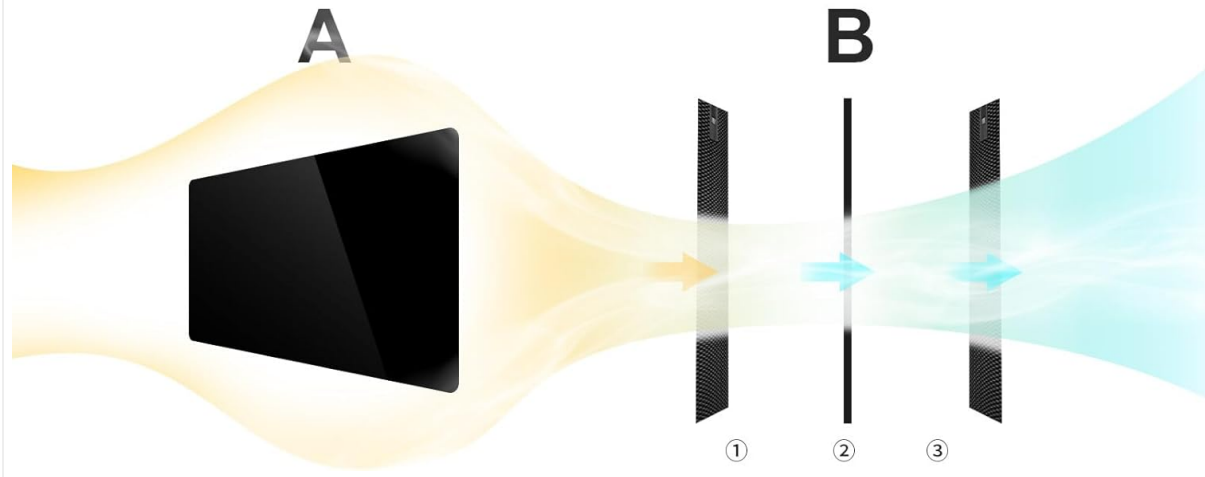
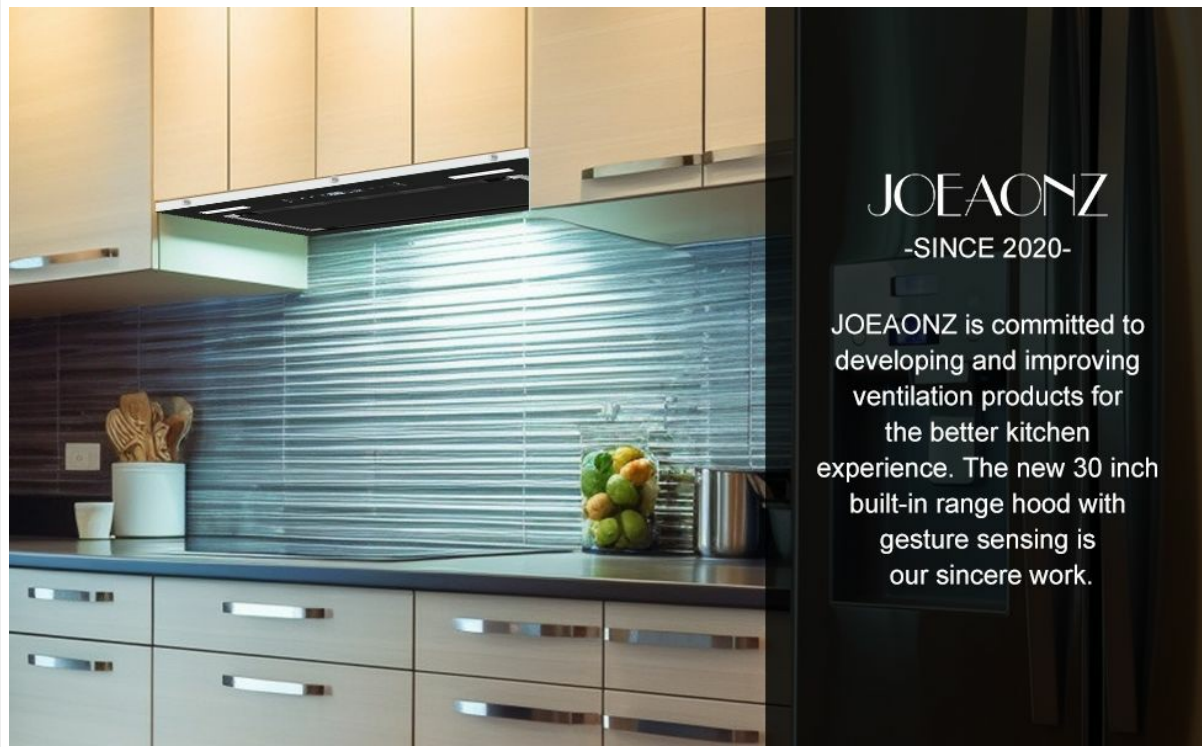


Image: Diagram illustrating the two-step filtration process, showing how the tempered glass baffle guides airflow and the mesh filters capture oil fumes.

5.2 Exterior Cleaning

The black tempered glass panel and stainless steel surfaces can be cleaned with a soft cloth and mild detergent. Avoid abrasive cleaners or scouring pads that could scratch the finish.



JOEAONZ
-SINCE 2020-

JOEAONZ is committed to developing and improving ventilation products for the better kitchen experience. The new 30 inch built-in range hood with gesture sensing is our sincere work.

Image: Close-up of the range hood's tempered glass panel, highlighting its smooth design for easy wiping and cleaning.

6. Troubleshooting

If you encounter issues with your range hood, refer to the following common problems and solutions:

Problem	Possible Cause	Solution
Fan does not operate	No power supply; Motor malfunction	Check power connection and circuit breaker. If issue persists, contact support.
Poor suction	Clogged filters; Improper ducting; Obstruction in airflow	Clean or replace filters. Inspect ductwork for blockages or leaks. Ensure proper installation.
Excessive noise	Loose components; Motor issue; Improper installation	Check for loose screws or parts. Ensure filters are correctly seated. If noise persists, contact support.
Lights not working	LED bulb failure; Wiring issue	Check light switch. If individual LEDs are replaceable, replace them. Otherwise, contact support.

7. Specifications

Feature	Specification
Model Number	B1670T
Air Flow Capacity	800 Cubic Feet Per Minute (CFM)
Material	Stainless Steel, Tempered Glass
Noise Level	60 Decibels (Max)
Mounting Type	Insert Mount

Feature	Specification
Control Type	Touch, Gesture
Voltage	120 Volts
Number of Speeds	3
Light Source Type	LED
Filter Type	Mesh
Ventilation Type	Ducted/Recirculation Convertible
Product Dimensions (D x W x H)	11.4 x 27.8 x 11.5 inches
Item Weight	24.5 pounds

8. Warranty and Support

8.1 Warranty Information

JOEAONZ products typically come with a limited warranty. For specific warranty duration and terms applicable to your B1670T range hood, please refer to the documentation included with your purchase or contact JOEAONZ customer support directly. Some customer experiences indicate a 6-month support window from the date of purchase.

8.2 Customer Support

For technical assistance, troubleshooting, or warranty claims, please contact JOEAONZ customer support. You can typically send a message through the JOEAONZ store link on the Amazon website. Please have your model number (B1670T) and purchase date available when contacting support.