

Laowu Bed Frame Support Legs

Laowu Metal Bed Frame Support Legs

Model: Bed Frame Support Legs (7" - 12.6" 4Pcs)

Adjustable Height Bed Support Legs for King, Queen, and other Bed Frames

INTRODUCTION

This manual provides instructions for the installation, operation, and maintenance of your Laowu Metal Bed Frame Support Legs. These adjustable support legs are designed to reinforce your bed frame and slats, preventing sagging, squeaking, and potential damage to your mattress and bed structure. The 4-pack includes legs adjustable from 7 inches to 12.6 inches in height, suitable for various bed types.



Figure 1: Overview of the Laowu Metal Bed Frame Support Legs and their application.

PACKAGE CONTENTS

Before beginning installation, please verify that all components are present:

- 4 x Adjustable Bed Support Legs
- 4 x Supplementary Plates (Thickened 3mm)
- 8 x Bolts
- 8 x Nuts

ADJUSTABLE HEIGHT RANGE: 7in - 12.6in



Figure 2: Components and key dimensions of the support legs.

SETUP (INSTALLATION)

The adjustable bed support legs can be installed using two primary methods, depending on your bed frame's design.

Method 1: For Bed Frames Without Pre-existing Holes

1. Position the supplementary plate on the bed frame where support is needed.
2. Align the top of the bed support leg with the supplementary plate.
3. Insert the bolts through the plate and the leg's mounting holes.
4. Secure with nuts and tighten firmly using appropriate tools (not included).

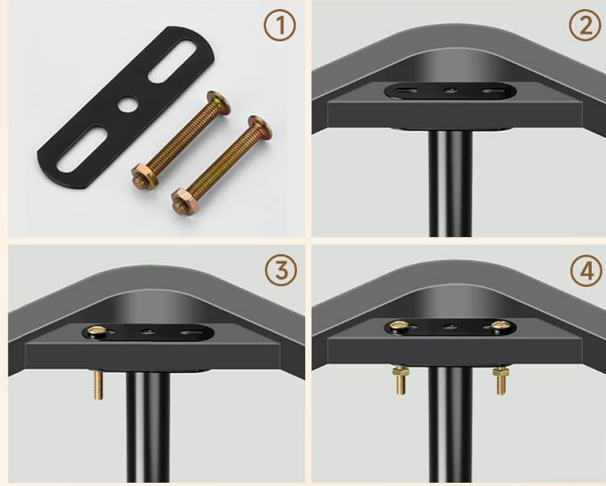
Method 2: For Bed Frames With Pre-existing Holes

1. Align the double holes on the top of the bed support leg with the pre-existing holes on your bed frame.
2. Insert the bolts through the bed frame and the leg's mounting holes.
3. Secure with nuts and tighten firmly.

After securing the legs, rotate the base of each bed support leg to adjust its height until the bed frame is stable and level.



INSTALLATION METHOD 1



INSTALLATION METHOD 2

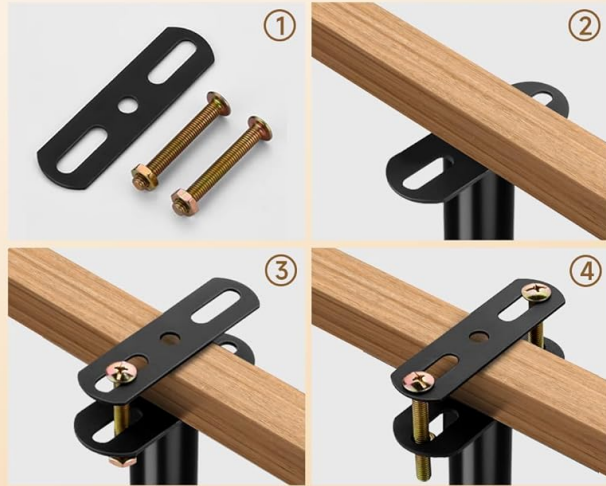


Figure 3: Visual guide for both installation methods.

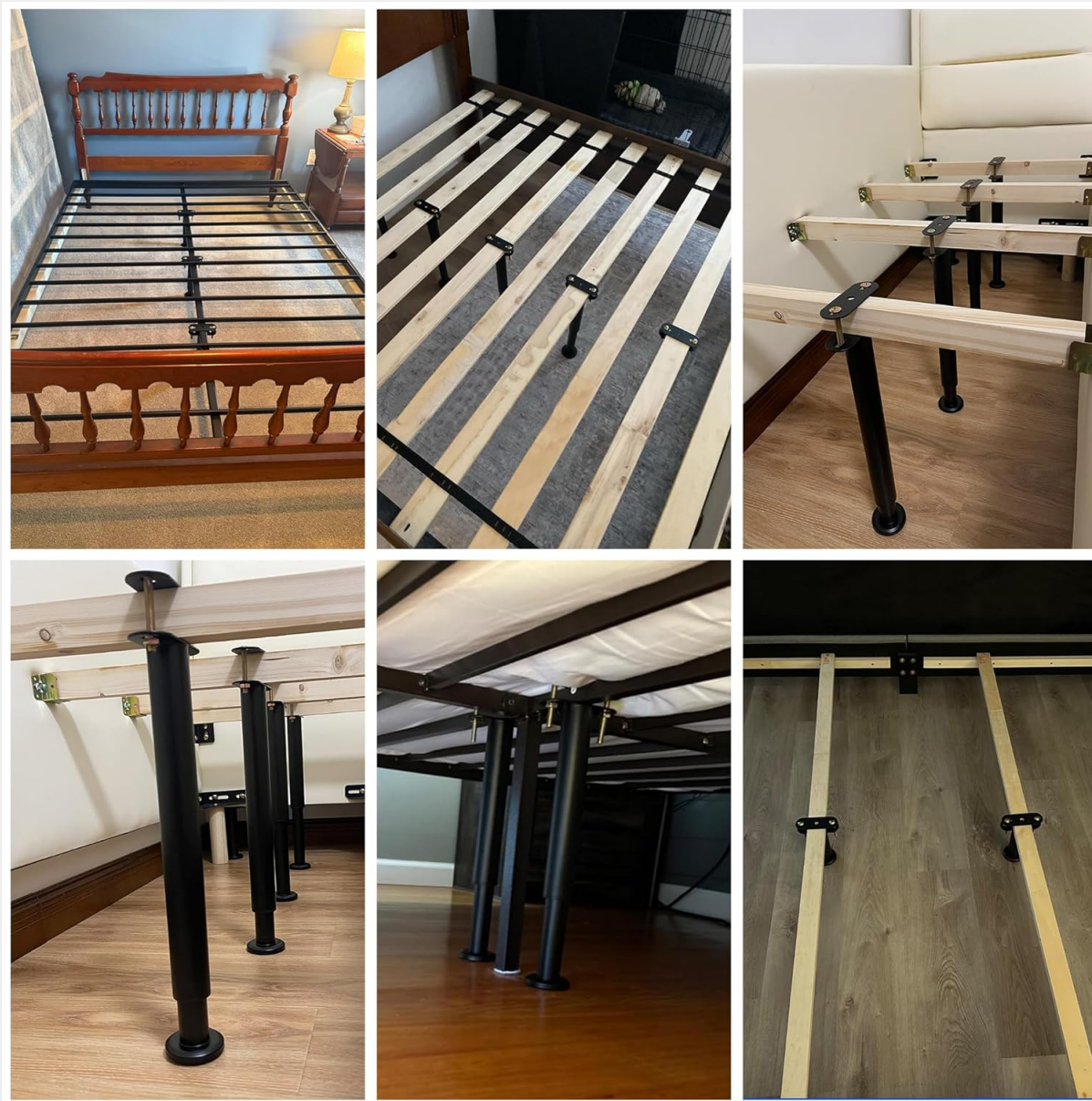


Figure 4: Examples of installed support legs on different bed frames.

OPERATING (HEIGHT ADJUSTMENT)

The bed support legs feature an adjustable height mechanism. To adjust the height, simply rotate the base of the leg clockwise to extend it or counter-clockwise to retract it. Adjust each leg individually until the desired height is achieved and the bed frame is stable and level. The legs can be adjusted between 7 inches and 12.6 inches.

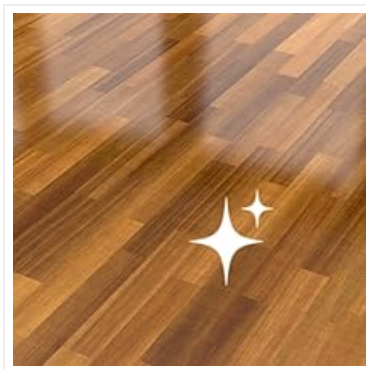


Figure 5: Adjusting the leg height by rotating the base.

To ensure the longevity and optimal performance of your bed support legs, follow these simple maintenance guidelines:

- **Cleaning:** Wipe with a dry cloth to remove dust and debris. Avoid using abrasive cleaners or harsh chemicals.
- **Inspection:** Periodically check all bolts and nuts to ensure they remain tightly secured. Re-tighten if necessary.
- **Stability Check:** Regularly verify the stability of your bed frame. If any wobbling or instability is detected, re-adjust the leg heights to ensure even support.

TROUBLESHOOTING

If you encounter any issues with your bed support legs, refer to the following common problems and solutions:

- **Problem: Bed frame is still squeaking or unstable.**
Solution: Ensure all support legs are installed correctly and tightened firmly. Verify that each leg is making full contact with the floor and providing even support. Adjust the height of individual legs as needed to eliminate gaps or uneven pressure.
- **Problem: Bed frame appears to be sagging in the middle.**
Solution: Confirm that the support legs are positioned strategically along the center beam or slats of your bed frame. If the bed frame is particularly wide or heavy, additional support legs may be required (purchased separately).
- **Problem: Legs are scratching the floor or slipping.**
Solution: The legs are equipped with non-slip rubber pads. Ensure these pads are clean and free of debris. If the issue persists, consider placing additional floor protectors under the leg bases.



Affects sleep: Turning over causes the bed to squeak and shake



worry about bed frame caving in



Bed or mattress collapse



Figure 6: Addressing common bed frame stability issues.

SPECIFICATIONS

Brand	Laowu
Model Number	Bed Frame Support Legs
Color	Black
Size (Adjustable Height)	7" - 12.6" (17.8 cm - 32 cm)
Number of Pieces	4
Material	Heavy-duty Cold-Rolled Steel
Base Width	2.36 inches (6 cm)
Product Dimensions	2.36 x 2.36 x 12.6 inches (at max height)
Item Weight	16 ounces (per leg, approximately)
Furniture Finish	Paint (3-layer baking paint process)

Special Features	Non-slip rubber pad, thickened 3mm auxiliary plate, corrosion and rust resistant
-------------------------	--

WARRANTY AND SUPPORT

Laowu is committed to providing high-quality products and customer satisfaction. While specific warranty details are not provided in this manual, if you encounter any unsatisfactory issues or require assistance with your bed support legs, please do not hesitate to contact our customer service directly. We are available to assist with replacements or refunds as needed.

For support, please refer to the contact information provided with your purchase or visit the official Laowu store online.