

Hisense AX5125H

Hisense AX5125H 5.1.2Ch Sound Bar

INSTRUCTION MANUAL

PRODUCT OVERVIEW

The Hisense AX5125H is a 5.1.2 channel sound bar system designed to elevate your audio experience with immersive surround sound. Featuring 9 built-in speakers, a wireless subwoofer, and wireless rear speakers, it delivers 500W of powerful audio. With Dolby Atmos and DTS:X support, along with multiple connectivity options and smart features like EzPlay, this sound bar is engineered for a captivating home theater experience.

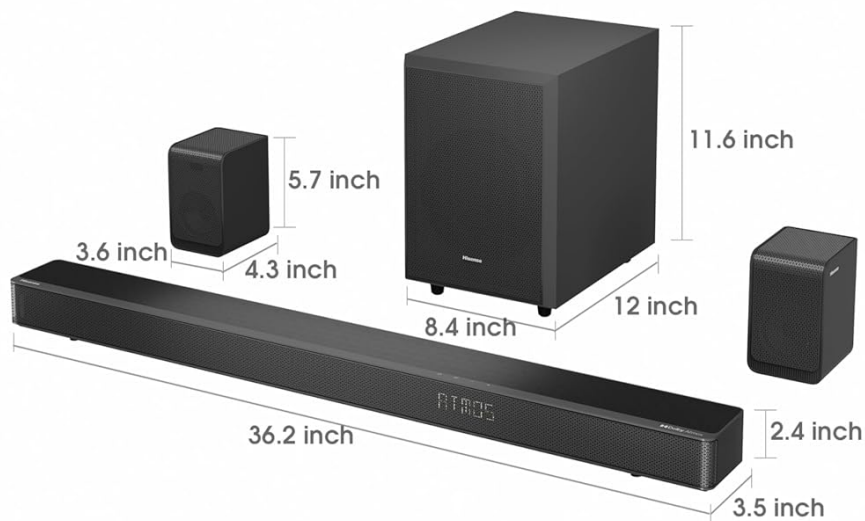


Figure 1: Hisense AX5125H 5.1.2Ch Sound Bar System

WHAT'S IN THE BOX

Upon unboxing your Hisense AX5125H Sound Bar, you should find the following components:

- Soundbar unit
- Wireless Subwoofer
- 2x Wireless Rear Speakers
- HDMI Cable
- Remote Control with batteries
- User Manual & Quick Start Guide (QSG)



What's in the Box

- Soundbar
- Subwoofer
- HDMI&Optical Cable
- Wall Mount Kit
- Remote with batteries

Figure 2: Included components and dimensions of the sound bar system.

Unboxing Video (Seller Content)

Video 1: Official unboxing video of the Hisense AX5125H Sound Bar, demonstrating how to unpack the system and its components.

SETUP

Physical Placement

- **Soundbar:** Place the soundbar centrally below your TV. Ensure no objects block the front or top-firing speakers.
- **Wireless Subwoofer:** Position the wireless subwoofer on the floor, ideally in the front of the room, near the soundbar. Its wireless connectivity allows for flexible placement without messy cables.
- **Wireless Rear Speakers:** Place the wireless rear speakers behind your listening position, one on the left and one on the right, to create an immersive surround sound experience. Ensure they are within range of the soundbar for stable wireless connection.

Power Connection

Connect the power cables from the soundbar, wireless subwoofer, and wireless rear speakers to a power outlet. All components are designed for wireless communication with each other, requiring only power connections.

TV Connection

The Hisense AX5125H offers multiple ways to connect to your TV:

- **HDMI (eARC):** For the best audio quality and control, connect the included HDMI cable from the HDMI OUT (eARC) port on the soundbar to your TV's HDMI (eARC) port. This allows for single-cable control of both devices with your TV remote.
- **Optical:** If your TV does not have an HDMI (eARC) port, connect an optical cable (not included) from your TV's optical output to the OPTICAL port on the soundbar.
- **AUX:** For analog audio connection, use an AUX cable (not included) to connect your TV's audio output to the AUX port on the soundbar.



Figure 3: Soundbar connectivity ports.

Speaker Pairing

The wireless subwoofer and wireless rear speakers should automatically pair with the soundbar once all units are powered on. If pairing does not occur automatically, refer to the troubleshooting section or the Quick Start Guide for manual pairing instructions.

OPERATING

Basic Controls

The soundbar can be controlled using the included remote control or the buttons on the top panel of the soundbar itself. Basic controls include:

- **Power:** Turns the soundbar on/off.
- **Volume:** Adjusts the overall volume level.
- **Input Selection:** Cycles through available input sources (HDMI, Optical, AUX, Bluetooth, USB).

EQ Modes

Optimize your audio experience with 7 preset EQ modes:

- **Movie:** Enhances cinematic soundscapes.
- **Music:** Optimized for music playback.
- **Game:** Provides immersive gaming audio.
- **News:** Clarifies dialogue for news and talk shows.
- **Sport:** Enhances sports commentary and crowd sounds.
- **Night:** Reduces dynamic range for late-night listening.
- **AI Mode:** Automatically optimizes sound based on content.

Perfected for all content

AI integrated technology, optimizes the sound source from different medias for the perfect listening experience.

7 tailored sound modes

Figure 4: 7 Tailored Sound Modes for optimized content playback.

Bluetooth Streaming

Connect your smartphone, tablet, or other Bluetooth-enabled devices to the soundbar for wireless audio streaming.

Simply select the Bluetooth input on the soundbar and pair your device.

Roku TV Ready

As a Roku TV Ready device, the Hisense AX5125H Sound Bar is fully compatible with any Roku TV through the HDMI (eARC) connection. You can even use the Roku TV remote to control both the TV and soundbar for easier setup and a better navigation experience.



Figure 5: EzPlay feature for simplified control.

Hi-Concerto Feature

The Hi-Concerto feature allows the soundbar to work simultaneously with your Hisense premium Mini-LED TV's speakers. This means the soundbar and TV speakers complement each other, delivering a more immersive audio experience that surrounds you, no matter where you sit, without muting the TV speakers.

MAINTENANCE

To ensure the longevity and optimal performance of your Hisense AX5125H Sound Bar, follow these maintenance guidelines:

- **Cleaning:** Use a soft, dry cloth to clean the surfaces of the soundbar, subwoofer, and rear speakers. Avoid using liquid cleaners or abrasive materials.
- **Ventilation:** Ensure proper ventilation around all components to prevent overheating. Do not block any ventilation openings.
- **Placement:** Avoid placing the system in direct sunlight, near heat sources, or in areas with high humidity.

TROUBLESHOOTING

If you encounter any issues with your Hisense AX5125H Sound Bar, try the following solutions:

- **No Power:** Ensure all power cables are securely connected to the units and a working power outlet.
- **No Sound:** Check that the correct input source is selected on the soundbar. Verify that the volume is not muted or set too low on both the soundbar and your TV. Ensure all audio cables are securely connected.
- **No Wireless Subwoofer/Rear Speaker Connection:** Power cycle the soundbar, subwoofer, and rear speakers. If they do not automatically reconnect, refer to the Quick Start Guide for manual pairing instructions.
- **Distorted Sound:** Check audio cable connections. Try adjusting the EQ modes or disabling any audio enhancements on your TV or the soundbar. Ensure the volume is not set too high, causing distortion.
- **Remote Control Not Working:** Check the batteries in the remote control and replace them if necessary. Ensure there are no obstructions between the remote and the soundbar.

SPECIFICATIONS

Feature	Specification
Model Name	AX5125H
Speaker Type	Soundbar
Surround Sound Channel Configuration	5.1.2
Speaker Maximum Output Power	500 Watts
Connectivity Technology	Bluetooth
Wireless Communication Technology	Bluetooth
Bluetooth Version	5.3
Subwoofer Connectivity Technology	Wireless
Audio Output Mode	Surround
Product Dimensions	3.5"D x 36.2"W x 2.4"H
Item Weight	28.3 pounds
Material	Plastic
Color	Black
UPC	888143016498

WARRANTY AND SUPPORT

The Hisense AX5125H Sound Bar comes with a **1 year warranty from manufacturer**. For technical support, troubleshooting assistance, or warranty claims, please contact Hisense customer service through their official website or the contact information provided in the Quick Start Guide.