



Manuals.plus /

› Kitsure /

› Kitsure Toilet Paper Holder Wall Mount (Model US469) - Instruction Manual

Kitsure US469

Kitsure Toilet Paper Holder Wall Mount (Model US469) - Instruction Manual

Comprehensive guide for installation, use, and maintenance of your Kitsure toilet paper holder.

PRODUCT OVERVIEW

The Kitsure Toilet Paper Holder is a wall-mounted accessory designed for bathrooms and washrooms. Constructed from premium 304 stainless steel with a matte black finish, it offers durability, rust-proof properties, and a modern aesthetic. Its design accommodates mega-sized toilet paper rolls and features an anti-slip knob to prevent rolls from falling.



Image: Kitsure Toilet Paper Holder, matte black, showcasing its sleek design.

SAFETY INFORMATION

- Ensure proper installation to prevent the holder from detaching from the wall.
- Keep small parts (screws, anchors) away from children to avoid choking hazards.
- Do not hang excessive weight on the toilet paper holder.

PACKAGE CONTENTS

Verify that all components are present before beginning installation:

- 1 x Toilet Paper Holder
- 1 x Round Mounting Plate
- 3 x Screws
- 3 x Drywall Anchors
- 1 x L-Shaped Hex Key

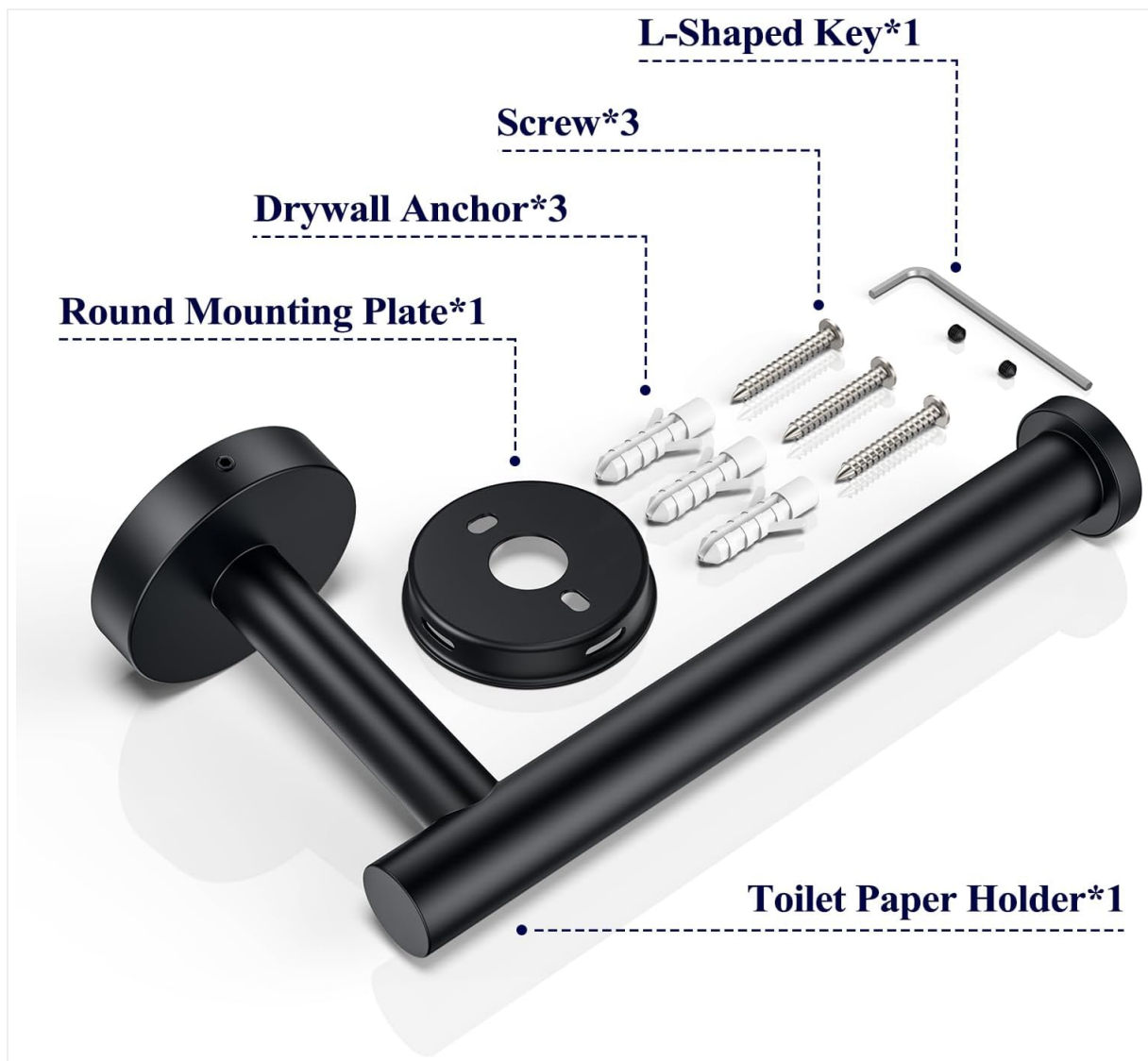


Image: All components included in the Kitsure Toilet Paper Holder package.

INSTALLATION INSTRUCTIONS

Follow these steps for secure wall-mounted installation:

Step 1: Prepare the Holder

Use the provided L-shaped hex key to unscrew the small flat head screws on the toilet paper holder. This will allow you to separate the main holder arm from the round mounting plate.

Step 2: Mark and Drill Holes

Position the round mounting plate against the desired wall location. Ensure the plate's holes are oriented either vertically or horizontally, depending on your preference for the holder's final position. Mark the drilling points through the holes on the mounting plate. Drill holes at the marked locations. If installing into drywall, gently tap the drywall anchors into the drilled holes until flush with the wall surface.

Easy Installation



Image: Marking and drilling holes for the mounting plate, showing drywall anchors.

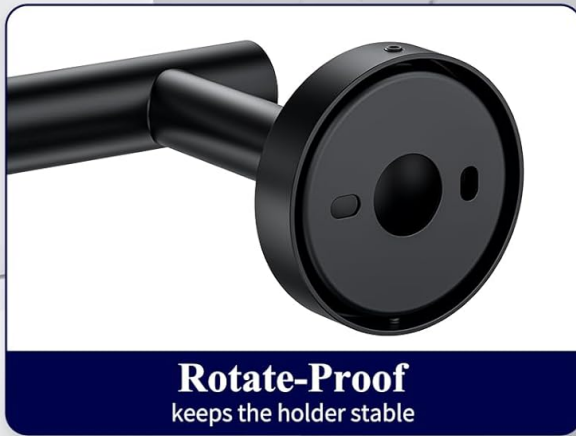
Step 3: Secure the Mounting Plate

Align the holes of the mounting plate with the drilled holes (and anchors, if used). Use the provided screws to firmly attach the mounting plate to the wall.

Step 4: Attach the Toilet Paper Holder

Slide the main toilet paper holder arm onto the secured mounting plate. Reinsert and tighten the flat head screws using the hex key to firmly secure the holder to the mounting plate. Ensure the holder is stable and does not rotate or wobble.

Steady to Use



Rotate-Proof
keeps the holder stable



Anti-Slip
prevents the roll from falling

Image: The installed toilet paper holder, highlighting its stability and anti-slip feature.

Installation Video Guide

Your browser does not support the video tag.

Video: Official Kitsure Toilet Paper Holder Installation Guide (Model 469). This video demonstrates the step-by-step process of mounting the holder to the wall, including preparing the plate, drilling, and securing the unit.

OPERATING INSTRUCTIONS

Loading a Toilet Paper Roll

The Kitsure toilet paper holder is designed for easy roll replacement. Simply slide a new toilet paper roll onto the holder arm. The 1-inch knob at the end of the arm prevents the roll from slipping off during use. This holder is compatible with mega-sized toilet paper rolls, ensuring a smooth and unobstructed experience.

Fit Mega Roll Toilet Paper

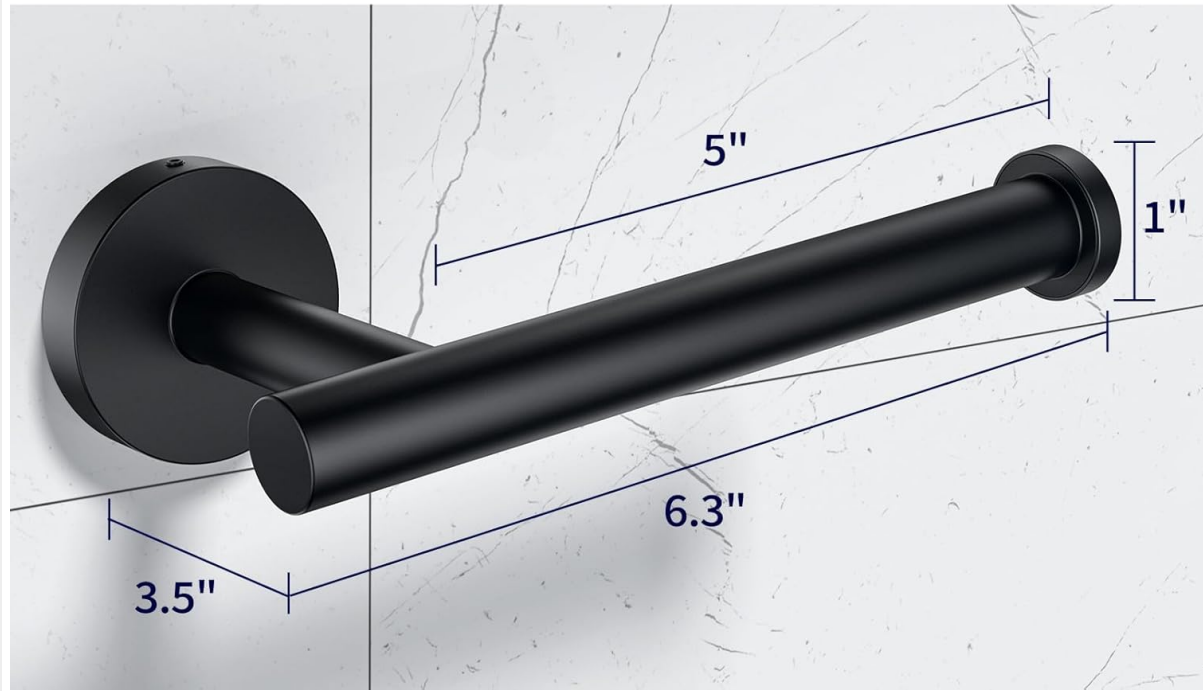
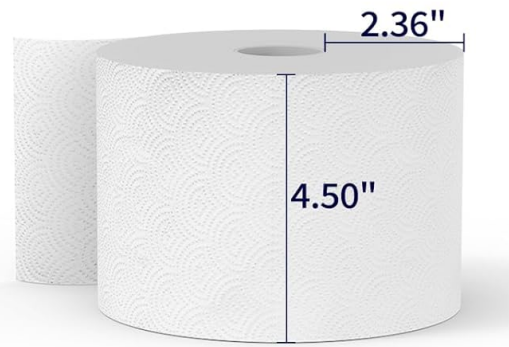


Image: The toilet paper holder demonstrating its capacity for mega rolls, with dimensions indicated.

Two Ways of Use

The holder can be installed to dispense toilet paper horizontally or vertically, depending on your bathroom layout and personal preference. The secure mounting ensures stability in either orientation.



Image: The toilet paper holder displayed in both horizontal and vertical mounting configurations.

MAINTENANCE

The Kitsure toilet paper holder is made from premium 304 stainless steel with a waterproof, smooth coating, making it easy to clean. To maintain its appearance and functionality:

- Wipe the holder regularly with a damp cloth.
- Avoid using abrasive cleaners or harsh chemicals, as these may damage the matte black finish.
- Allow the holder to air dry after cleaning.



Image: Close-up of the toilet paper holder material, highlighting its 304 Stainless Steel composition for durability and rust resistance.

TROUBLESHOOTING

- **Holder feels loose after installation:** Ensure all screws securing the mounting plate to the wall and the holder to the plate are tightened properly using the hex key. If installed into drywall, verify that the anchors are securely seated.
- **Toilet paper roll does not fit:** The holder is designed for mega rolls up to 5 inches in length. If your roll is larger, it may not fit.
- **Roll slips off:** The holder features a 1-inch knob at the end to prevent rolls from slipping. Ensure the roll is fully seated against this knob.

SPECIFICATIONS

Brand	Kitsure
Model Number	US469
Material	304 Stainless Steel
Finish Type	Matte Black
Color	Black
Installation Type	Wall Mounted
Product Dimensions	3.8"L x 2.8"W
Item Weight	4.6 ounces
Shape	Round

WARRANTY AND SUPPORT

Kitsure is committed to providing a satisfying user experience. For any queries regarding the product, installation, or troubleshooting, please contact Kitsure customer support. Specific warranty details may vary; please refer to your purchase documentation or the official Kitsure website for the most current warranty information.