

## Manuals+

[Q & A](#) | [Deep Search](#) | [Upload](#)

Manuals.plus /

› [Gnellkooor](#) /

› Gnellkooor GS4 Grill Igniter Switch Replacement Manual for Weber Grills #66220

## Gnellkooor JO-GN-IGWBA

# Gnellkooor GS4 Grill Igniter Switch Replacement Manual

For Weber GS4 Genesis II & Spirit II Gas Grills (Part #66220)

## INTRODUCTION

---

This manual provides detailed instructions for the installation, operation, and maintenance of your Gnellkooor GS4 Grill Igniter Switch. This replacement part is designed to restore the ignition function of compatible Weber gas grills, ensuring reliable and safe grill startup. Please read all instructions carefully before proceeding with installation or use.



Image: Gnellkoo GS4 Grill Igniter Switch, front view.

## COMPATIBILITY

---

The Gnellkoo GS4 Grill Igniter Switch (Part #66220) is compatible with specific Weber gas grill models. Please verify your grill model against the list below to ensure proper fitment.

- **Weber GS4 Genesis II & Spirit II Gas Grills:** Compatible with models from 2017 and newer.
- **Weber Spirit Series (2013 and newer) with front-mounted control panels:** Spirit E/S-210, 220, 310, 315, 320, 330.
- **Adaptive Models (Replacement for Weber parts):** 45010001, 44000001, 48070001, 49000001, 49010001, 44030001, 44060001, 44070001, 45020001, 45030001, 45060001, 45000001, 48000001, 44020001, 48010001, 44010001.



Image: Visual guide to compatible Weber Spirit and Genesis grill series and specific models.

## PRODUCT FEATURES

---

The Gnellkooor GS4 Grill Igniter Switch is engineered with the following features for durability and performance:

- **Rubber Material:** The buckle is constructed from rubber to provide electrical insulation and thermal protection.
- **Chrome Finish:** The middle surface of the button is chrome-plated, offering a precise structure that is waterproof and rust-proof.
- **Embedded Design:** Features a snap-type installation design for easy installation and disassembly, ensuring a firm fit that resists falling off.



Image: Detailed view highlighting the rubber material, chrome finish, and embedded design of the igniter switch.

## SETUP AND INSTALLATION

---

Follow these steps for quick and easy replacement of your Weber grill igniter switch:

1. **Turn off Gas and Power:** Before any disassembly, ensure the gas supply to the grill is turned off and any power supply (e.g., battery) is disconnected.
2. **Remove Control Panel:** Locate and remove the screws securing the front control panel of your grill. Carefully tilt out or remove the panel.
3. **Disconnect Old Igniter:** Identify the old igniter button. Unplug the two wires connected to the back of the old igniter switch.
4. **Remove Old Igniter:** Gently remove the old igniter switch from its mounting hole.
5. **Install New Igniter:** Insert the new Gnellkoor igniter switch into the mounting hole. Ensure it snaps securely into place.
6. **Connect Wires:** Reconnect the two wires to the terminals on the back of the new switch. Ensure connections are firm.
7. **Replace Control Panel:** Carefully position the front control panel back into place and secure it with the screws removed earlier.
8. **Restore Gas and Power:** Reconnect the gas supply and any power source to the grill.



Image: Step-by-step visual guide for removing the old igniter, connecting wires, and installing the new switch.

## OPERATING INSTRUCTIONS

---

Once the igniter switch is installed, operating your grill's ignition system is straightforward:

1. Ensure the gas supply is open.
2. Turn the desired burner control knob to the HIGH position.
3. Press and hold the igniter button. You should hear a clicking sound and see a spark at the burner.
4. Once the burner ignites, release the igniter button.

## MAINTENANCE

---

The Gnellkoo GS4 Grill Igniter Switch is designed for durability and requires minimal maintenance. To ensure optimal performance and longevity:

- Periodically inspect the igniter button for any signs of wear or damage.
- Keep the area around the igniter switch clean and free from grease buildup.
- Ensure electrical connections remain secure and free of corrosion.


## TROUBLESHOOTING

---

If your grill is not igniting after replacing the switch, consider the following troubleshooting steps:

- **Check Gas Supply:** Ensure the gas tank is not empty and the gas valve is fully open.

- **Verify Connections:** Double-check that all wires to the igniter switch and the ignition module are securely connected.
- **Inspect Battery:** If your grill uses a battery-powered ignition module, ensure the battery is fresh and correctly installed. A dead battery is a common cause of ignition failure.
- **Examine Ignition Module:** The igniter switch is only one component. If the switch is functioning (e.g., you hear a click), but there's no spark, the issue might be with the ignition module or the electrode.
- **Clean Electrodes:** Ensure the burner electrodes are clean and free from debris or grease, which can prevent sparking.



**COMPATIBLE WITH WEBER GENESIS SERIES (2013 AND NEWER)**

Genesis E-325s	Genesis E-335	Genesis E-435	Genesis Epx-335
Genesis Ex-325s	Genesis Ex-335	Genesis S-325s	Genesis S-335
Genesis S-435	Genesis Sa-E-330	Genesis Si-E-330	Genesis Sp-E-335
Genesis Sp-E-325s	Genesis Spx-435	Genesis Sx-325s	Genesis Sx-335

**COMPATIBLE WITH WEBER GENESIS SERIES (2017 AND NEWER)**

Genesis ii E-210	Genesis ii E-310	Genesis ii E-315	Genesis ii E-325
Genesis ii E-330	Genesis ii E-335	Genesis ii E-410	Genesis ii E-435
Genesis ii E-610	Genesis ii Ex-335	Genesis ii Ce-310	Genesis ii Ce-330
Genesis ii Cse-315	Genesis ii Cse-335	Genesis ii S-310	Genesis ii S-315
Genesis ii S-335	Genesis ii S-345	Genesis ii S-435	Genesis ii Se-310
Genesis ii Se-315	Genesis ii Se-330	Genesis ii Se-335	Genesis ii Se-410
Genesis ii Ex-315 Smart Grill	Genesis ii Ex-335 Smart Grill	Genesis ii Sx-335 Smart Grill	

**COMPATIBLE WITH WEBER MODELS** Replacement Part Number #69283

35300001, 35310001, 35313301, 35320001, 35400001, 35410001, 37400001, 37610001, 61016201, 62016001, 66005401, 66015601, 66086001, 961011001






Image: Notice regarding comprehensive troubleshooting for grill ignition issues, emphasizing checking device condition, wire connections, and batteries before replacing the switch/module.

## SPECIFICATIONS

Feature	Detail
Product Dimensions	4 x 3 x 1 inches (approximate packaging)
Item Weight	0.317 ounces
Model Number	JO-GN-IGWBA
Replacement Part Number	Weber #66220 equivalent
Material	Rubber, Chrome-plated components

COMPATIBLE WITH **WEBER SPIRIT SERIES** (2013 AND NEWER)

Spirit E-210 Natural Gas Grill S-210 E-220 S-220  
E-310 S-310 E-315 S-315 E-320 S-320 E-330 S-330  
(With Front Mounted Control Panel)



COMPATIBLE WITH **WEBER SPIRIT II SERIES** (2017 AND NEWER)

Spirity II E-210 LP Spirity II E-210 NG Spirity II S-210 L Spirity II S-210 NG  
Spirity II E-310 LP Spirity II E-310 NG Spirity II S-310 LP Spirity II S-310 NG

COMPATIBLE WITH **WEBER GENESIS SERIES**

Genesis E-325S S-325S E-335 S-335 E-435 S-435  
EX-325S SX-325S EX-335 SX-335 EPX-335 SPX-335

COMPATIBLE WITH **WEBER GENESIS II SERIES**  
(2017 AND NEWER)

Replacement Part Number #66220

COMPATIBLE WITH **WEBER MODELS**

45060001, 48000001, 48010001, 44010001, 44020001, 44070001, 45000001, 45030001,  
44000001, 49000001, 49010001, 45010001, 45020001, 44030001, 44060001, 48070001



Image: Diagram showing the specific dimensions of the igniter switch in inches and centimeters.

## SAFETY INFORMATION

Always prioritize safety when working with gas appliances. Failure to follow these warnings could result in serious personal injury, death, or property damage.

- **Turn Off Gas Supply:** Before performing any disassembly, installation, or maintenance work on your grill, ensure the gas supply is completely turned off at the source (e.g., propane tank valve or natural gas shut-off).
- **Disconnect Power:** Disconnect any electrical power supply to the grill, including removing batteries from the ignition module if applicable.
- **Ventilation:** Work in a well-ventilated area.
- **No Open Flames:** Do not use open flames or ignition sources near the grill during maintenance.
- **Professional Assistance:** If you are unsure about any step, consult a qualified technician.



COMPATIBLE WITH **WEBER SPIRIT SERIES** (2013 AND NEWER)

Spirit E-210 Natural Gas Grill S-210 E-220 S-220  
E-310 S-310 E-315 S-315 E-320 S-320 E-330 S-330  
(With Front Mounted Control Panel)



COMPATIBLE WITH **WEBER SUMMIT SERIES** (2007 AND NEWER)

Summit 470 Natural Gas Grill  
Summit 670 Natural Gas Grill



COMPATIBLE WITH **OTHER**

Replacement Part Number #7642/7643/66220

Compatible with Weber Spirit II Series (2017 and newer)  
NOT Compatible with Weber Genesis II Series (2017 and newer)

**NOT COMPATIBLE WITH WEBER GENESIS SERIES**

NOT fit for any Weber Genesis series grills



Image: Hazard warning emphasizing the importance of turning off gas and power supply before any disassembly to prevent fire or explosion.

## WARRANTY AND SUPPORT

Gnellkooor is committed to providing quality products and customer satisfaction. If you encounter any issues with your GS4 Grill Igniter Switch, please contact us for assistance.

- **Return Policy:** The product is subject to a 30-day return policy for refund or replacement.
- **Customer Service:** For product warranty or return service, please contact Gnellkooor customer support. We aim to provide a satisfactory resolution to any problems you may experience.

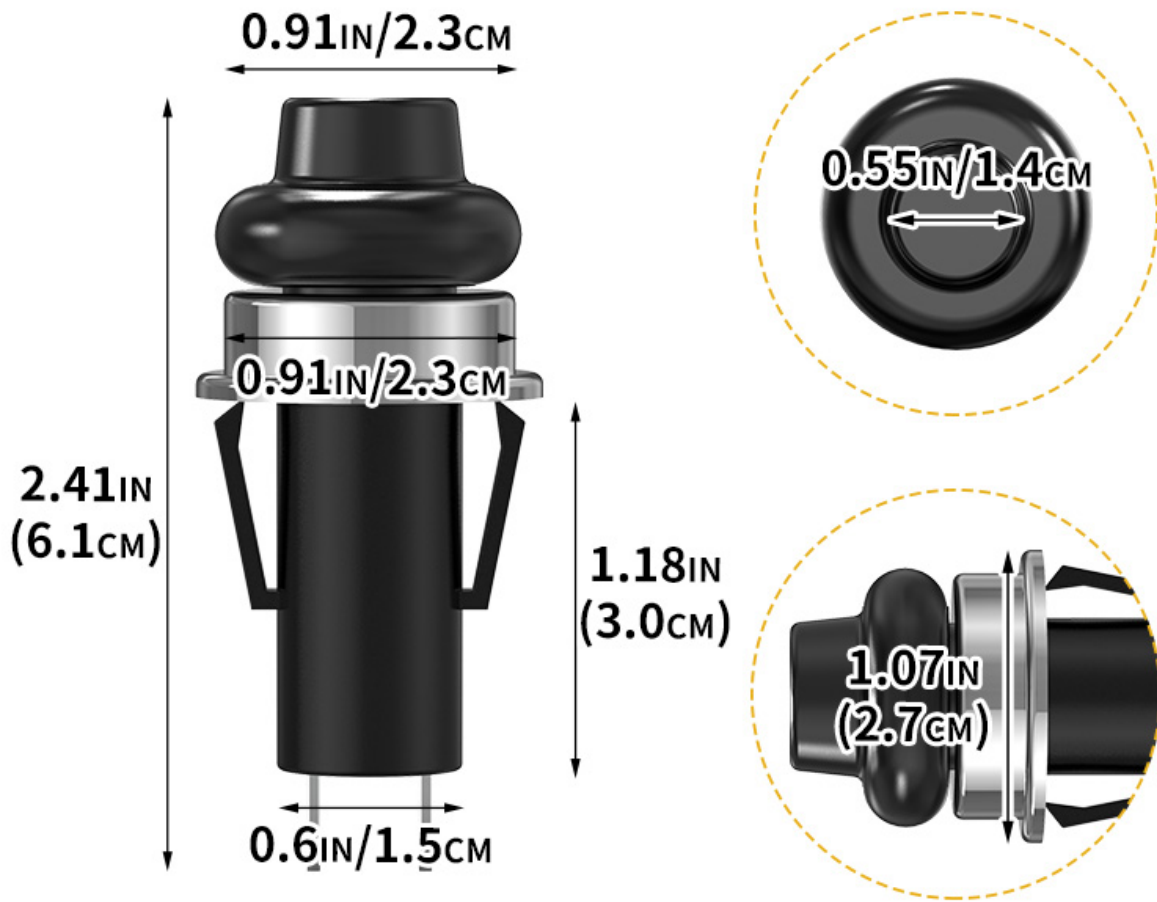


Image: Information regarding Gnellkooor's after-sales service and commitment to customer satisfaction.