



Manuals.plus /

› ChooChoo /

› ChooChoo Farmhouse End Table (Model ET2203-GY-S) Instruction Manual

## ChooChoo ET2203-GY-S

# ChooChoo Farmhouse End Table Instruction Manual

Model: ET2203-GY-S | Brand: ChooChoo

## INTRODUCTION

---

Thank you for choosing the ChooChoo Farmhouse End Table. This manual provides essential information for the safe assembly, operation, and maintenance of your new end table. Please read these instructions carefully before beginning assembly and retain them for future reference.

## SAFETY INFORMATION

---

- Always follow all assembly instructions provided.
- Keep sharp edges and small parts away from children during assembly.
- Do not exceed the maximum weight recommendation of 50 pounds (22.68 kg) to ensure stability and prevent damage.
- Always use the provided non-slip stickers on the legs to protect your floor from scratches and enhance table stability.
- Ensure all screws and fasteners are securely tightened before use. Periodically check and re-tighten as needed.
- Do not stand or sit on the table.
- Place the table on a flat, level surface to prevent tipping.

## PARTS LIST

---

Please verify that all components are present before beginning assembly. Refer to the detailed instructions and diagrams included in your product packaging for specific part identification.



Image: All components of the ChooChoo Farmhouse End Table laid out for assembly, including wooden panels, metal A-frames, and hardware bags.

- Top Panel (MDF)
- Bottom Shelf (MDF)
- Side Legs (Wooden)
- Metal A-Frame Supports
- Metal Corner Brackets
- Assembly Hardware (screws, dowels, etc.)
- Non-Slip Stickers

## ASSEMBLY INSTRUCTIONS

Assembly is required for this product. It is recommended that one person assembles the table. A screwdriver is the only tool recommended for assembly, and it is not included.

1. **Prepare Components:** Unpack all parts and lay them out on a clean, soft surface to prevent scratches. Identify each component using the provided diagrams.

2. **Attach Side Legs to Bottom Shelf:** Secure the wooden side legs to the bottom shelf using the designated hardware (e.g., screws and dowels). Ensure the orientation is correct as per the diagrams.
3. **Install Metal A-Frame Supports:** Attach the metal A-frame supports to the side legs and bottom shelf. These supports provide additional stability.
4. **Secure Top Panel:** Place the top panel onto the assembled frame. Align the pre-drilled holes and secure it using the appropriate screws and metal corner brackets. The metal corner brackets also protect the table corners.
5. **Apply Non-Slip Stickers:** Attach the non-slip stickers to the bottom of each leg to protect your floor and increase stability.
6. **Final Check:** Ensure all connections are tight and the table is stable.

## 1.2" thick mdf is sturdy and durable

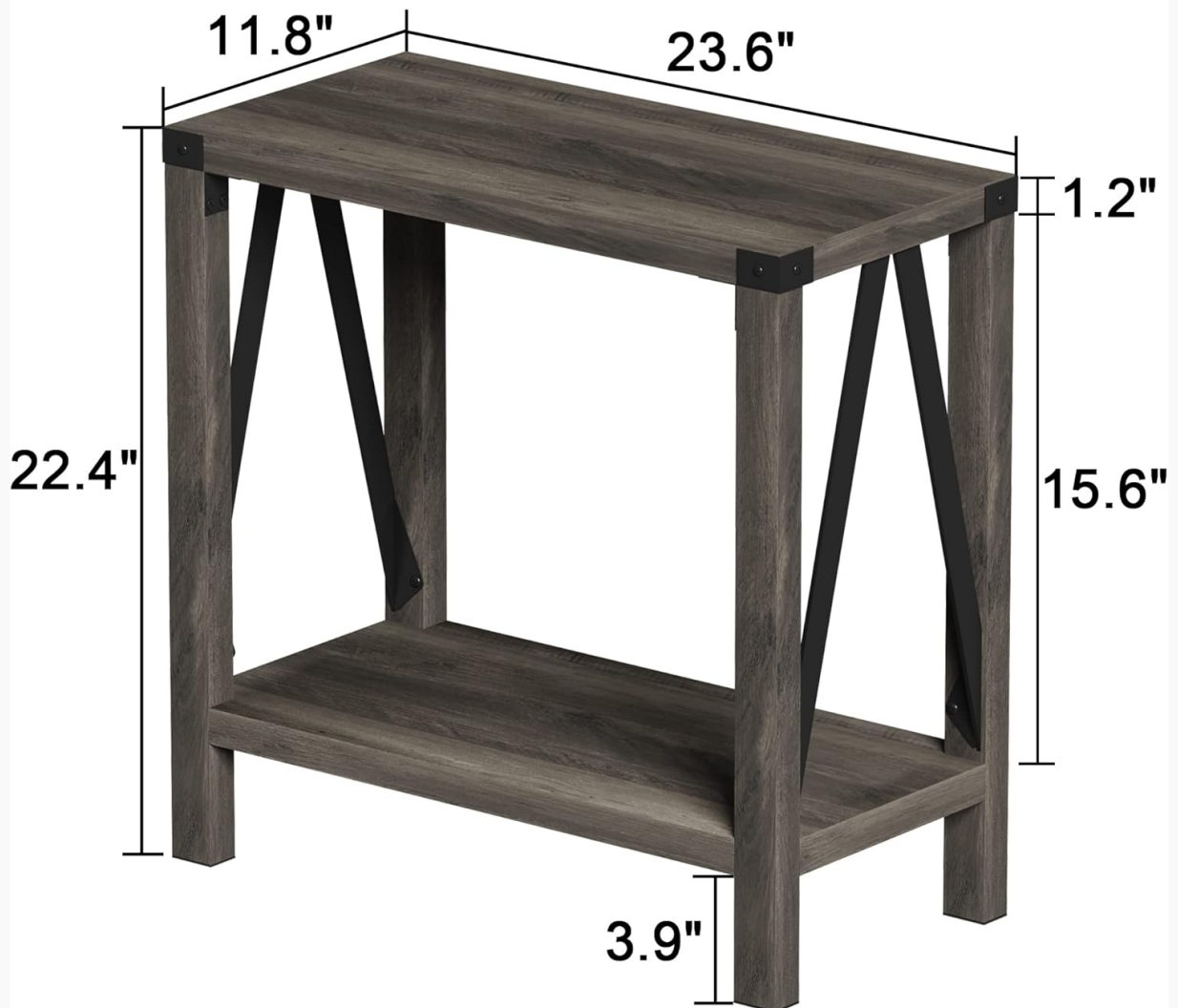


Image: A diagram illustrating the dimensions of the ChooChoo Farmhouse End Table: 23.6 inches wide, 11.8 inches deep, and 22.4 inches high.



**MDF Material**  
waterproof and  
scratch-resistant



**A-Shaped  
Metal Frame**  
stronger and more durable



**Metal Corner**  
avoid collision damage



**Non-Slip Stickers**  
protect the floor



**Upgrade Wooden Legs**  
more stable and stronger

Image: Detailed view of the end table, pointing out key features like the waterproof and scratch-resistant MDF material, the strong A-shaped metal frame, protective metal corners, non-slip stickers for floor protection, and stable wooden legs.

## OPERATING AND USAGE INSTRUCTIONS

The ChooChoo Farmhouse End Table is designed for versatile indoor use. Its narrow profile makes it ideal for small spaces.

- **Placement:** Position the table next to a sofa, bed, or in any narrow space in your living room, bedroom, den, or office.
- **Top Surface:** Use the top surface for placing drinks, remote controls, books, or decorative items.
- **Storage Shelf:** The lower shelf provides additional storage for items like baskets, magazines, or small electronics.
- **Weight Capacity:** Do not place items exceeding 50 pounds (22.68 kg) on the table. Distribute weight evenly.

## Farmhouse End Table



Image: The end table serving as a side table in a living room, featuring a lamp on top and a storage basket on the bottom shelf.

## As a Nightstand



Image: The end table functioning as a nightstand in a bedroom, with a lamp, alarm clock, and a small basket on the lower shelf.

## MAINTENANCE

- **Cleaning:** The table surface is scratch-resistant and waterproof. Wipe clean with a damp cloth and mild detergent. Avoid harsh chemicals or abrasive cleaners.
- **Dusting:** Regularly dust the table with a soft, dry cloth.
- **Inspection:** Periodically check all fasteners to ensure they remain tight. Re-tighten if necessary.
- **Avoid Direct Sunlight:** Prolonged exposure to direct sunlight may cause fading or damage to the finish.
- **Protect from Heat:** Use coasters or protective pads under hot items to prevent heat damage.

## TROUBLESHOOTING

- **Table Wobbles:** Ensure the table is on a level surface. Check all screws and re-tighten if any are loose. Verify that the non-slip stickers are properly applied to all legs.
- **Parts Missing:** If any parts are missing or damaged upon arrival, please contact customer support

immediately for assistance.

- **Difficulty Assembling:** Review the assembly instructions and diagrams carefully. Ensure all parts are oriented correctly. If issues persist, contact customer support.

## SPECIFICATIONS

Feature	Detail
Brand	ChooChoo
Model Number	ET2203-GY-S
Product Dimensions	11.81"D x 23.62"W x 22.44"H (30cm D x 60cm W x 57cm H)
Item Weight	19 Pounds (8.62 kg)
Maximum Weight Recommendation	50 Pounds (22.68 kg)
Frame Material	Metal
Top Material Type	Engineered Wood (MDF)
Color	Grey
Style Name	Country Rustic
Number of Shelves	1
Required Assembly	Yes
Indoor Outdoor Usage	Indoor

## WARRANTY AND SUPPORT

For warranty information or customer support, please refer to the documentation included with your purchase or contact ChooChoo customer service directly. Keep your proof of purchase for any warranty claims.