

Manuals+

[Q & A](#) | [Deep Search](#) | [Upload](#)

[manuals.plus](#) /

- › [Bonsicoky](#) /
- › [Bonsicoky 1-1/4 Inch PVC Pipe Straps User Manual](#)

Bonsicoky JR230707008

Bonsicoky 1-1/4 Inch PVC Pipe Straps User Manual

Model: JR230707008

1. PRODUCT OVERVIEW

The Bonsicoky 1-1/4 Inch PVC Pipe Straps are designed for securely fastening PVC pipes, conduits, and cables to various surfaces. These two-hole plastic straps provide a stable and durable mounting solution for electrical, plumbing, and other home improvement applications. Each package contains 6 grey PVC pipe straps.



Image 1.1: A set of six 1-1/4 inch PVC pipe straps, showcasing their design and quantity.

2. SETUP AND INSTALLATION

2.1. Safety Precautions

- Always wear appropriate personal protective equipment (PPE) such as safety glasses when drilling or working with tools.
- Ensure the mounting surface is stable and can support the weight of the pipes/conduits and the straps.
- Verify there are no hidden electrical wires or plumbing in the wall before drilling.

2.2. Tools Required

- Drill

- Drill bits appropriate for your mounting surface and screws
- Screws (not included) suitable for the strap's mounting holes and your surface
- Measuring tape
- Pencil or marker

2.3. Installation Steps

1. **Position the Pipe:** Place the PVC pipe or conduit in the desired location on the mounting surface.
2. **Mark Mounting Points:** Hold a PVC pipe strap around the pipe at the intended mounting point. Use a pencil or marker to mark the locations for the two screw holes on the mounting surface. Ensure marks are level and evenly spaced for multiple straps.
3. **Pre-drill Holes (if necessary):** Depending on your mounting surface (e.g., wood, drywall, masonry), pre-drill pilot holes at the marked locations. The size of the pilot hole should be appropriate for your chosen screws.
4. **Secure the Strap:** Place the strap over the pipe and align its holes with the pre-drilled holes (or marked points). Insert screws through the strap's holes and fasten them securely into the mounting surface using a drill or screwdriver. Do not overtighten, as this may damage the strap or the pipe.
5. **Repeat:** Install additional straps along the length of the pipe at regular intervals to ensure proper support and stability.



Image 2.1: Various views of the PVC pipe strap, illustrating its two-hole design and curvature for pipe retention.

3. MAINTENANCE

Bonsicoky PVC pipe straps are designed for durability and require minimal maintenance. However, periodic inspection can help ensure long-term performance.

- **Cleaning:** If necessary, clean the straps with a damp cloth to remove dust or debris. Avoid harsh chemicals that could degrade the plastic.
- **Inspection:** Periodically check the installed straps for any signs of wear, cracking, or loosening. Ensure the screws remain tight and the pipes are securely held.
- **Environmental Factors:** While PVC is resistant to many environmental factors, prolonged exposure to extreme UV radiation or certain chemicals may affect its lifespan.

4. TROUBLESHOOTING

- **Pipe is Loose:**
 - Ensure the strap size matches the pipe diameter. These straps are specifically for 1-1/4 inch pipes.
 - Check if the screws are fully tightened.
 - Add more straps along the pipe's length for increased support.
- **Strap Cracks During Installation:**
 - Avoid overtightening screws.
 - Ensure pilot holes are appropriately sized for the screws and mounting surface.
 - Verify the strap is not being forced onto a pipe larger than its intended size.

5. SPECIFICATIONS

Product Name:	PVC Pipe Strap
Brand:	Bonsicoky
Model Number:	JR230707008
Size:	1-1/4 Inch
Color:	Grey
Material:	PVC Plastic
Quantity per Package:	6 Pcs
Mounting Type:	Wall Mount
Item Weight:	2.46 ounces (approx. 0.07 Kilograms)
Package Dimensions:	5.87 x 3.66 x 1.65 inches

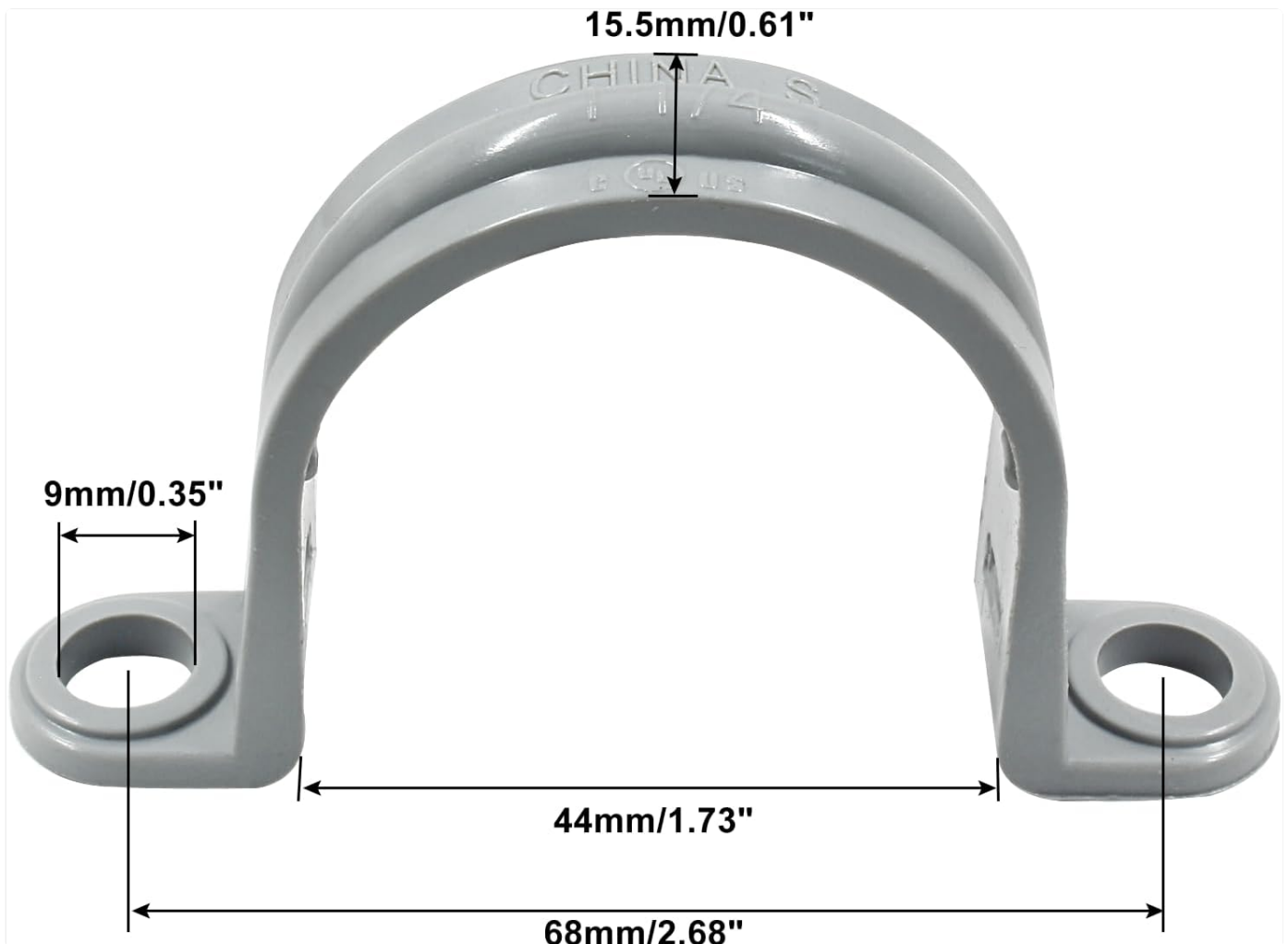


Image 5.1: Dimensional drawing of the PVC pipe strap, indicating key measurements for installation planning.

6. WARRANTY AND SUPPORT

Bonsicoky is committed to customer satisfaction. This product comes with a **30-Day Risk-Free Guarantee**. If you encounter any quality problems after receiving the goods, please contact the seller or manufacturer for assistance. They will respond as soon as possible to address your concerns.

For further support or inquiries, please refer to the contact information provided at the point of purchase or on the official Bonsicoky website.



© 2025 Bonsicoky. All rights reserved.

This manual is for informational purposes only. Specifications are subject to change without notice.