

X4XZ NGK 1675

X4XZ Double Iridium Spark Plug Instruction Manual

Model: NGK 1675 (PFR7S8EG) | Brand: X4XZ

1. INTRODUCTION

This manual provides essential information for the proper use, installation, and maintenance of your X4XZ Double Iridium Spark Plugs. These spark plugs are designed to deliver reliable ignition performance and extended service life for compatible vehicles. Please read this manual thoroughly before installation to ensure optimal performance and safety.

2. PRODUCT OVERVIEW

The X4XZ Double Iridium Spark Plugs (NGK 1675 / PFR7S8EG) are engineered for superior ignition and durability. They feature a double iridium construction, which contributes to a longer working life and consistent spark delivery.

Key Features:

- **Double Iridium Construction:** Ensures a much longer working life, capable of operating for up to 100,000 kilometers.
- **Consistent and Stable Spark:** Provides reliable ignition for improved engine performance.
- **Enhanced Ignitability:** The iridium center electrode firing pin promotes faster starts and quicker acceleration.
- **Improved Fuel Economy:** Contributes to better fuel efficiency.
- **Reduced Emissions:** Helps lower exhaust emissions for a cleaner operation.
- **OE Design Matching:** Each component matches or improves upon the original equipment design for reliable performance.



Figure 2.1: Pack of four X4XZ Double Iridium Spark Plugs.

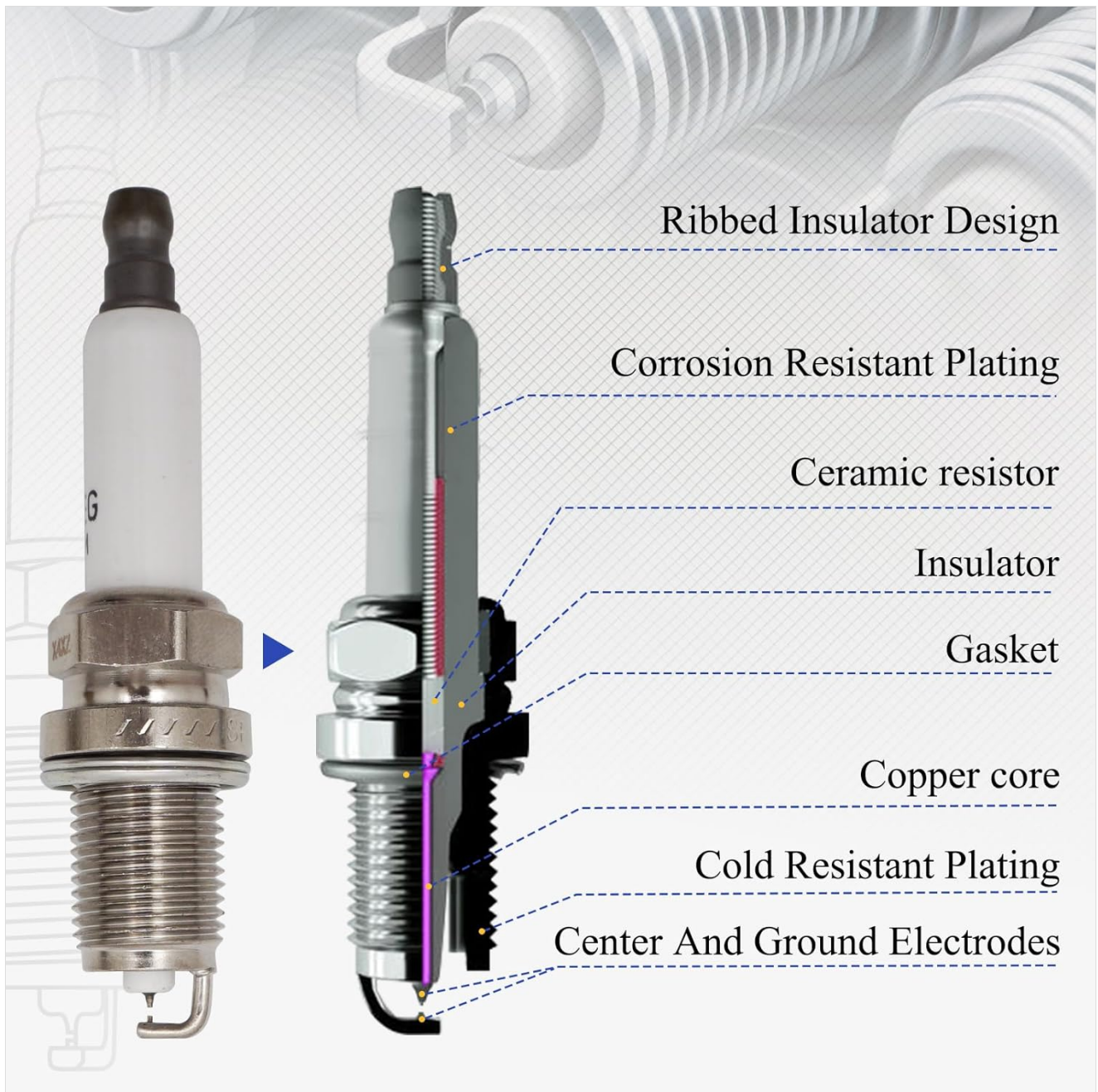
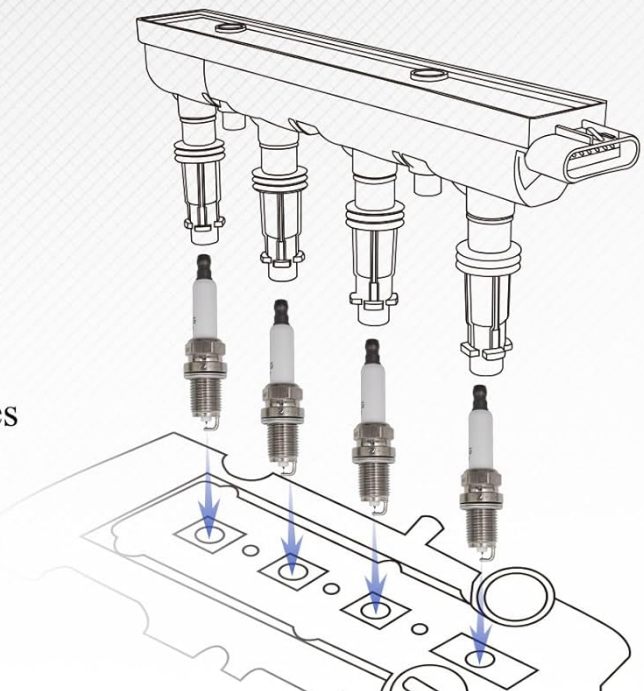
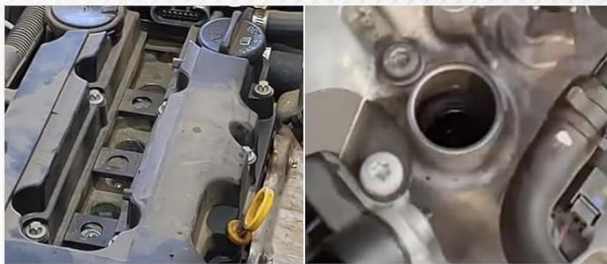


Figure 2.2: Detailed view of the Double Iridium spark plug, highlighting the fine-wire center electrode for extended service life and stable spark.



Designed to ignite the air/fuel mixture in the combustion chamber, spark plugs must withstand the high temperatures and combustion pressures within the engine. If all is well, the engine will run efficiently, providing optimum performance, maximum fuel economy and the lowest exhaust emissions from efficient combustion.

Figure 2.3: Cross-section diagram illustrating the internal components of the spark plug, including the ribbed insulator, corrosion-resistant plating, ceramic resistor, insulator, gasket, copper core, cold-resistant plating, and electrodes.

3. COMPATIBILITY

These spark plugs are compatible with a wide range of vehicles. Please verify your vehicle's make, model, and engine specifications against the list below to ensure proper fitment. The manufacturer part number is NGK 1675, and the replacement part number is PFR7S8EG.

Compatible Vehicles:

Audi:

- 2006-2013 A3 2.0L
- 2005-2016 A4 2.0L
- 2014-2016 A4 ALLROAD 2.0L
- 2010-2017 A5 2.0L
- 2012-2015 A6 2.0L

- 2013-2015 ALLROAD 2.0L
- 2015-2017 Q3 2.0L
- 2011-2017 Q5 2.0L
- 2011-2017 R8 4.2L/5.2L
- 2013-2015 RS5 4.2L
- 2008-2015 TT 2.0L

Volkswagen:

- 2012-2013 BEETLE 2.0L
- 2009-2017 CC 2.0L
- 2007-2016 EOS 2.0L
- 2013 GOLF 2.0L
- 2006-2014 GTI 2.0L
- 2009 JETTA GLI /SEL /Wolfsburg Edition 2.0L
- 2010 JETTA Wolfsburg Edition 2.0L
- 2012-2013 JETTA GLI 2.0L
- 2006-2008 JETTA 2.0L
- 2006-2010 PASSAT 2.0L
- 2009-2010 PASSAT CC 2.0L
- 2009-2017 TIGUAN 2.0L

Chevy:

- 2011-2015 Cruze L4 1.4L Turbo
- 2016 Cruze Limited L4 1.8L/1.4L
- 2012-2020 Sonic L4 1.4L Turbo
- 2014-2020 Trax L4 1.4L Turbo
- 2011-2015 Volt L4 1.4L

Cadillac:

- 2014-2016 ELR L4 1.4L

Buick:

- 2013-2020 Encore L4 1.4L Turbo

COMPATIBLE

X4XZ



Chevy

- ▶ 2011-2015 Chevy Cruze L4 1.4L Turbo
- ▶ 2016 Chevy Cruze Limited L4 1.8L/1.4L
- ▶ 2012-2020 Chevy Sonic L4 1.4L Turbo
- ▶ 2014-2020 Chevy Trax L4 1.4L Turbo
- ▶ 2011-2015 Chevy Volt L4 1.4L

Audi

- ▶ 2006 - 2013 Audi A3 2.0L
- ▶ 2005 - 2016 Audi A4 2.0L
- ▶ 2014 - 2016 Audi A4 ALLROAD 2.0L
- ▶ 2010 - 2017 Audi A5 2.0L
- ▶ 2012 - 2015 Audi A6 2.0L

Volkswagen

- ▶ 2012 - 2013 Volkswagen BEETLE 2.0L
- ▶ 2009 - 2017 Volkswagen CC 2.0L
- ▶ 2007 - 2016 Volkswagen EOS 2.0L
- ▶ 2013 Volkswagen GOLF 2.0L
- ▶ 2006 - 2014 Volkswagen GTI 2.0L
- ▶ 2006 - 2008 Volkswagen JETTA 2.0L

Cadillac

- ▶ 2014-2016 Cadillac ELR L4 1.4L

Buick

- ▶ 2013-2020 Buick Encore L4 1.4L Turbo

- ▶ 2013 - 2015 Audi ALLROAD 2.0L
- ▶ 2015 - 2017 Audi Q3 2.0L
- ▶ 2011 - 2017 Audi Q5 2.0L
- ▶ 2011 - 2017 Audi R8 4.2L/5.2L
- ▶ 2013 - 2015 Audi RS5 4.2L
- ▶ 2008 - 2015 Audi TT 2.0L

- ▶ 2009 Volkswagen JETTA GLI /SEL /Wolfsburg Edition 2.0L
- ▶ 2010 Volkswagen JETTA Wolfsburg Edition 2.0L
- ▶ 2012-2013 Volkswagen JETTA GLI 2.0L
- ▶ 2006-2010 Volkswagen PASSAT 2.0L
- ▶ 2009-2010 Volkswagen PASSAT CC 2.0L
- ▶ 2009-2017 Volkswagen TIGUAN 2.0L

Figure 3.1: Visual compatibility chart for X4XZ spark plugs across different vehicle brands and models.

4. INSTALLATION (SETUP)

While these spark plugs are designed for easy installation, it is recommended that installation be performed by a qualified mechanic or an individual with experience in automotive maintenance. Incorrect installation can lead to engine damage or reduced performance.

General Installation Considerations:

1. **Safety First:** Ensure the engine is cool and the vehicle's battery is disconnected before beginning any work.
2. **Identify Spark Plugs:** Locate the spark plugs, typically found on the engine's cylinder head, often beneath ignition coils or wires.
3. **Remove Old Plugs:** Carefully remove the ignition coils/wires and then unscrew the old spark plugs using a spark plug socket. Note the condition of the old plugs as it can indicate engine health.
4. **Inspect New Plugs:** Before installation, visually inspect the new X4XZ spark plugs for any damage. Ensure the gap is correct for your vehicle's specifications (though these are typically pre-gapped).
5. **Install New Plugs:** Hand-thread the new spark plugs into the cylinder head to avoid cross-threading. Once finger-tight, use a torque wrench to tighten them to the manufacturer's specified torque setting. Overtightening or

undertightening can cause issues.

6. **Reassemble:** Reinstall the ignition coils/wires and reconnect the battery.

7. **Test:** Start the engine and check for smooth operation, absence of misfires, or unusual noises.

For specific torque specifications and detailed steps, consult your vehicle's service manual.



Figure 4.1: An example of an engine bay where spark plugs are typically located for replacement.

OE# NGK1675 PFR7S8EG



Figure 4.2: Illustration of spark plugs properly seated within an engine's ignition system.

5. OPERATION

Spark plugs are critical components of your vehicle's ignition system. Their primary function is to ignite the air/fuel mixture in the combustion chamber. This ignition process is essential for the engine to run efficiently, providing optimum performance, maximum fuel economy, and the lowest exhaust emissions from efficient combustion.

The X4XZ Double Iridium Spark Plugs are designed to withstand the high temperatures and combustion pressures within the engine, ensuring a consistent and powerful spark for reliable engine operation.

6. MAINTENANCE

Spark plugs are wear-and-tear items and require periodic replacement rather than traditional maintenance. Due to their high-quality double iridium construction, X4XZ spark plugs have an extended service life.

Replacement Interval:

These Double Iridium Spark Plugs are designed to work for up to 100,000 kilometers (approximately 60,000 miles). However, actual replacement intervals may vary based on vehicle manufacturer recommendations, driving conditions, and

engine health. It is advisable to consult your vehicle's owner's manual for specific service schedules.

Inspection:

During routine vehicle inspections, spark plugs can be checked for signs of wear, fouling, or damage. Any signs of degradation may indicate a need for earlier replacement.

7. TROUBLESHOOTING

A faulty spark plug can lead to various engine performance issues. Recognizing these symptoms can help in timely diagnosis and replacement.

Common Symptoms of Faulty Spark Plugs:

- **Engine Idling and Shaking:** Rough idling or noticeable vibrations when the engine is running.
- **Weak Acceleration:** A noticeable decrease in power or responsiveness during acceleration.
- **Engine Misfires:** The engine may stumble or hesitate, especially under load.
- **Reduced Fuel Economy:** Inefficient combustion can lead to increased fuel consumption.
- **Difficulty Starting:** The engine may crank longer than usual before starting.
- **Check Engine Light:** The vehicle's onboard diagnostic system may illuminate the check engine light, often accompanied by specific trouble codes related to misfires.

Resolution:

If you experience any of these symptoms, it is recommended to have your vehicle inspected by a qualified technician. Replacing faulty spark plugs with new X4XZ Double Iridium Spark Plugs can often resolve these issues, restoring optimal engine performance and efficiency.

8. SPECIFICATIONS

Detailed specifications for the X4XZ Double Iridium Spark Plugs (NGK 1675 / PFR7S8EG).

Specification	Value
Brand	X4XZ
Manufacturer Part Number	NGK 1675
OEM Part Number	PFR7S8EG
Core Material	Iridium
Top Material Type	Iridium
Thread Size	14mm
Item Weight	7 ounces (per pack of 4)
Package Dimensions	4.02 x 3.9 x 0.94 inches
Vehicle Service Type	Car
Automotive Fit Type	Vehicle Specific Fit

OE# NGK1675 PFR7S8EG



Figure 8.1: Spark plug dimensions, showing approximate measurements for length and diameter.

9. WARRANTY AND SUPPORT

X4XZ is committed to providing high-quality products and excellent customer service.

After-Sales Service:

- **Customer Service:** We offer 24-hour customer service to assist with any inquiries.
- **Product Service:** A 1-year product service is provided for your peace of mind.
- **Contact Us:** If you encounter any issues related to product installation, product quality, or other concerns, please do not hesitate to contact us.

For further assistance, please visit the official X4XZ store or contact our support team through the platform where you purchased the product.

Thank you for choosing X4XZ products.

