

Kewig M22

Kewig M22 Motorcycle Fork Stem Phone Mount

User Manual

1. INTRODUCTION

Thank you for choosing the Kewig M22 Motorcycle Fork Stem Phone Mount. This manual provides detailed instructions for the safe installation, operation, and maintenance of your new phone mount. Please read this manual thoroughly before use to ensure optimal performance and safety.

2. PRODUCT OVERVIEW

Key Features:

- **Qi Wireless Charger & USB-C Port:** Integrated 15W max Qi wireless charger and 20W max USB-C fast charging port. The USB-C port can also serve as a power input.
- **Dual Power Input Options:** Includes SAE and USB harnesses for flexible power connection to your motorcycle's battery or a USB power source.
- **One-Push Automatic Lock & Quick Release:** Securely holds and releases your phone with a single-hand operation.
- **Robust & Secure Design:** Features soft silicone padding for shock absorption and an aluminum alloy release bar and mounting base for durability.
- **Versatile Installation:** Compatible with motorcycle fork stems and includes a rear-view mirror mounting base for alternative placement.
- **Waterproof:** Designed with IP66 water resistance.

What's in the Box:

- Motorcycle phone mount main body
- Fork stem mount base
- Wrench
- Rear-view mirror mount base
- SAE harness
- USB harness

3. SAFETY INFORMATION

- Always ensure the phone mount is securely installed and your phone is firmly locked in place before riding.
- Do not connect the power supply to batteries exceeding 24V.
- Avoid operating your phone while riding. Pull over to a safe location if you need to interact with your device.
- Ensure all wiring is properly routed and secured to prevent interference with motorcycle controls or moving parts.
- Keep the USB-C port covered with its waterproof cap when not in use to maintain water resistance.

4. SETUP AND INSTALLATION

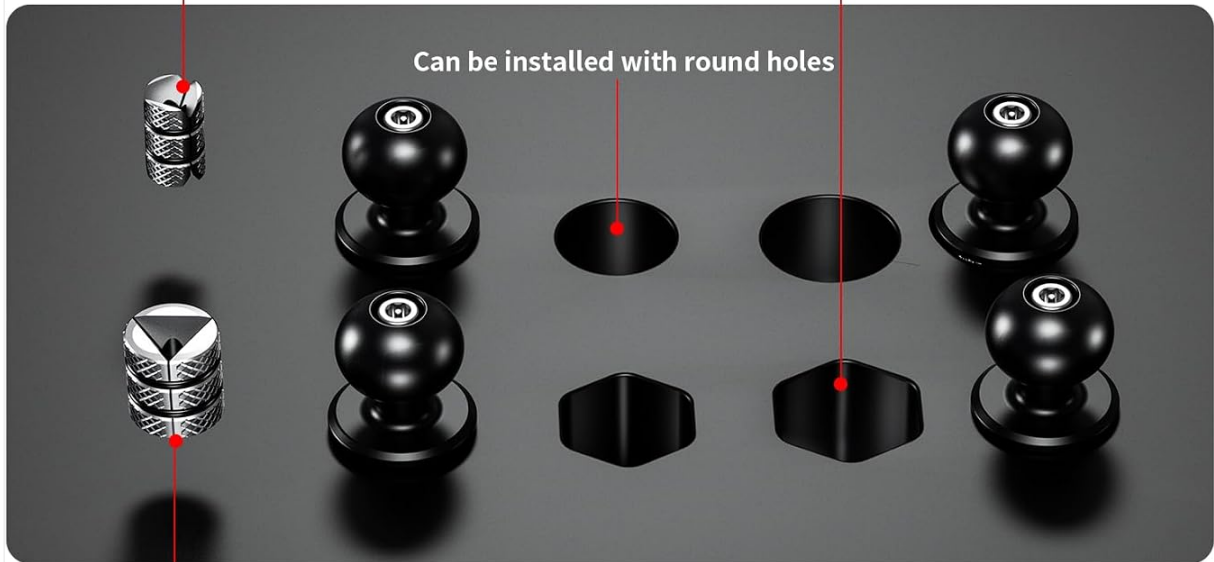
4.1 Fork Stem Mounting

The fork stem ball base is designed for tubes with diameters between 12mm (0.5") and 25.4mm (1.26"). Use the appropriate spacer for your fork stem's inner diameter.

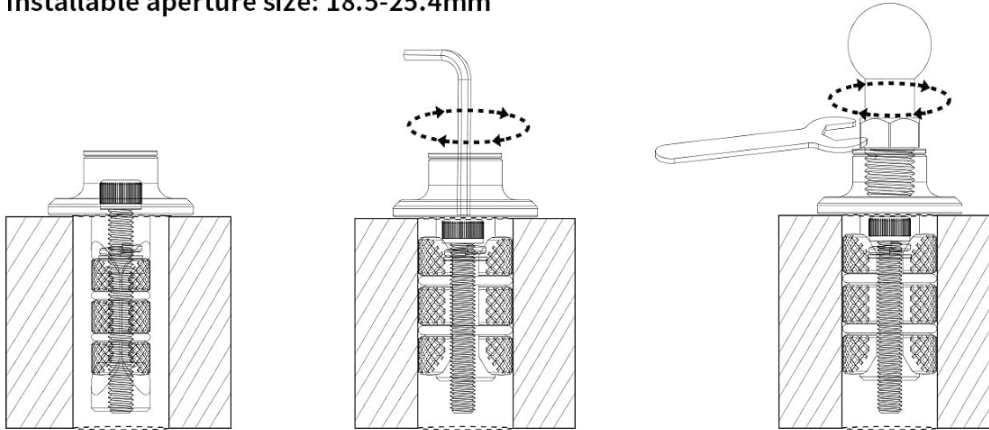
1. Measure the inner diameter of your motorcycle's fork stem tube.
2. Select the correct spacer (small for 12-18.5mm, large for 18.5-25.4mm).
3. Insert the base into the tube.
4. Tighten the base using an Allen wrench until secure.
5. Install the 17mm ball base to the aluminum alloy round plate base.

Installable aperture size: 12-18.5mm

Hexagon holes can be installed



Installable aperture size: 18.5-25.4mm



1

Insert the base into the tube

2

Tighten the base with an Allen wrench

3

Install the 17mm ball base to the aluminum alloy round plate base. Installation complete

Figure 1: Fork Stem Aperture Sizes and Installation Steps



INSTALLATION DISPLAY

Small spacer suits tube \varnothing 12-18.5mm / Large spacer suits tube \varnothing 18.5-25.4mm



Figure 2: Installation Display for Fork Stem Mount

4.2 Handlebar / Rear-View Mirror Mounting

The package includes a rear-view mirror mounting base for alternative installation. This base is suitable for handlebars with diameters of 12mm (0.5"), 22mm (0.87"), 25.4mm (1.0"), and 32mm (1.26"). Follow the instructions provided with the rear-view mirror base for installation.

4.3 Power Connection

The Kewig M22 offers two methods for power connection:

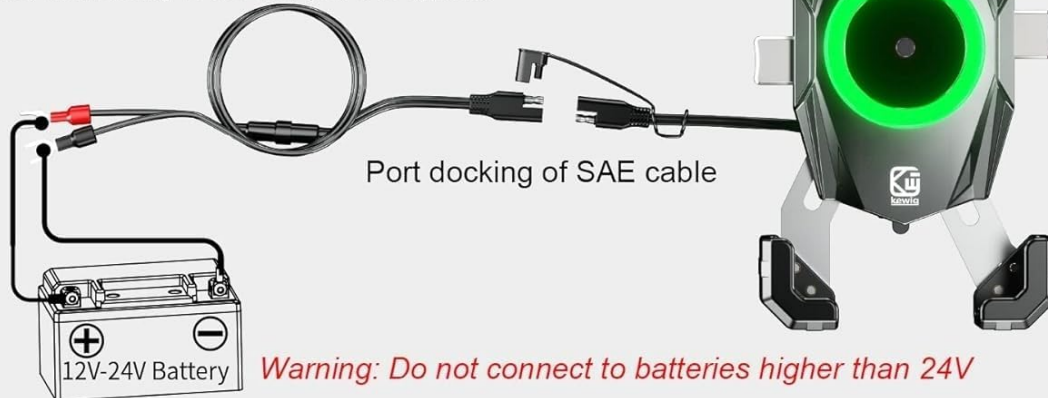
- **SAE Harness:** Connect the red terminal of the SAE wire to the positive power supply (e.g., motorcycle electric door lock or battery positive pole). Connect the black terminal to the negative of the battery or a metal part of the motorcycle frame.
- **USB Harness:** Connect the phone mount to a USB port with fast charging protocol using the provided USB harness. When using USB-C as input, the power switch on the mount does not function, and only wireless charging is available.

Warning: Do not connect to batteries higher than 24V.

Two Ways To Connect Power

Connect To Motorcycle Battery As Input

Connect the red terminal of the SAE wire to the positive power supply of the motorcycle electric door lock (power start switch), or directly connect to the positive pole of the battery. The negative black terminal is connected to the negative of the battery, or to any metal part on the motorcycle frame, and is ready to use after power is applied.



USB-C Port Can Be Connect To Power Bank Or USB Socket As Input:

When using USB-C as input, the switch doesn't work, and you can use wireless charger only.

Please note: The USB-C port does not support connecting to the PD socket to obtain power

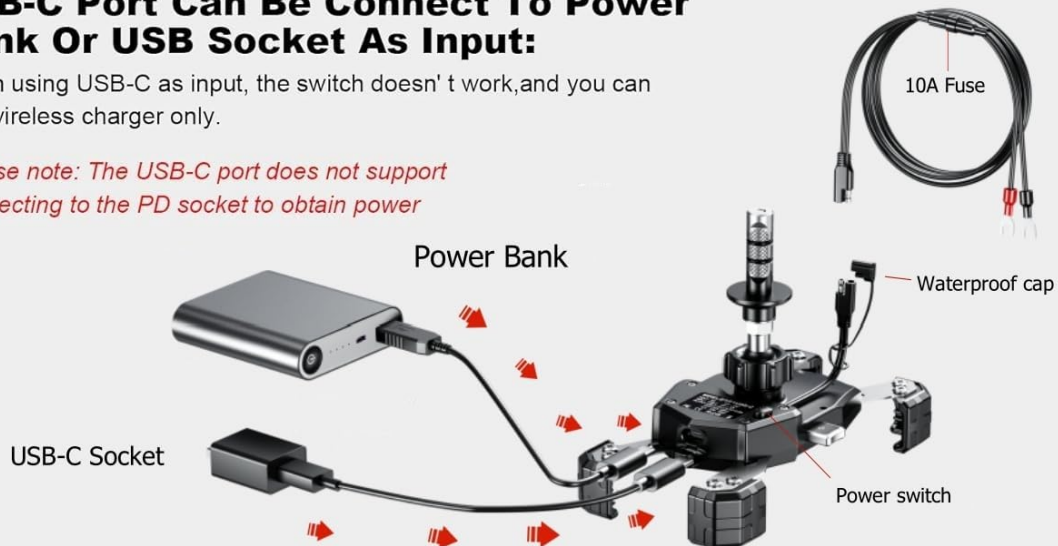


Figure 3: Power Connection Options

5. OPERATING INSTRUCTIONS

5.1 Phone Placement and Removal

The mount features a one-push automatic lock and quick release mechanism for easy phone handling.

1. **To Place Phone:** Gently push your phone into the center of the mount. The side arms will automatically close and lock your phone securely.
2. **To Remove Phone:** Press the quick-release button located on the side or back of the mount. The arms will open, allowing you to retrieve your phone.



Figure 4: One-Push Automatic Lock



Figure 5: One-Handed Operation

5.2 Charging Functions

The mount supports both wireless and wired charging.

- **Wireless Charging:** Once your phone is placed in the mount and the power is connected, compatible Qi-enabled phones (4.0-6.9 inches) will begin wireless charging at up to 15W.
- **USB-C Charging:** The USB-C port provides up to 20W fast charging for compatible devices. This port can also be used as an input for power, as described in Section 4.3.

15W wireless fast charger



Figure 6: 15W Wireless Fast Charger in Use

5.3 Power Switch

The mount features a power switch to control the charging functions. Turn the switch OFF when the mount is not in use to prevent battery drain, especially if directly wired to the motorcycle battery.

6. MAINTENANCE

- Regularly check all mounting screws and connections to ensure they are tight and secure.
- Clean the mount with a soft, damp cloth. Avoid using harsh chemicals or abrasive cleaners.
- Ensure the USB-C port's waterproof cap is always in place when the port is not actively being used for charging or power input.
- Inspect the wiring periodically for any signs of wear or damage. Replace damaged components immediately.

7. TROUBLESHOOTING

- **Phone not charging wirelessly:**

- Ensure the power switch on the mount is ON (unless using USB-C as input).
- Verify the power connection to the motorcycle battery or USB source is secure.
- Check if your phone is Qi-enabled and properly centered on the wireless charging pad.
- Remove any thick phone cases that might interfere with wireless charging.

- **Phone not charging via USB-C:**

- Ensure the USB-C cable is securely connected to both the mount and your phone.
- Verify the power connection to the motorcycle battery or USB source is secure.
- Check if the USB-C cable itself is functional.

- **Mount feels loose:**

- Re-tighten all mounting screws and bolts, especially the fork stem or handlebar clamp.
- Ensure the correct spacer was used for the fork stem installation.

- **Mount is not powering on:**

- Check the power connections for the SAE or USB harness.
- Verify the motorcycle battery has sufficient charge.
- Ensure the power switch is in the ON position.

8. SPECIFICATIONS

Brand	Kewig
Model Name	M22
Model Number	M14-A2
Color	Black
Compatible Devices	4.0 to 6.9 inches mobile phone
Mounting Type	Motorcycle Fork stem / Triple Tree Stem, Rear-view Mirror
Additional Features	Wireless & USB C charger, one-touch lock & quick release switch, IP66 waterproof, USB C port can be as input or output, aluminum alloy handlebar mounting base
Water Resistance Level	Waterproof (IP66)
Compatible with Vehicle Type	Motorcycle
Item Weight	0.45 Kilograms
Enclosure Material	Aluminum, PA66+GF

9. WARRANTY AND SUPPORT

Warranty Information:

This Kewig M22 Motorcycle Fork Stem Phone Mount comes with a 1-year warranty from the date of purchase. This warranty covers manufacturing defects under normal use. It does not cover damage caused by misuse, accidents, unauthorized modifications, or improper installation.

Customer Support:

For technical assistance, warranty claims, or any questions regarding your Kewig M22 phone mount, please contact Kewig customer support through the retailer where you purchased the product or visit the official Kewig website for contact information.