

[Manuals.plus](#) /

> [ROBOTIME](#) /

> ROBOTIME Vintage Car 3D Wooden Puzzle Model Kit ZQRT-MC801 Instruction Manual

ROBOTIME ZQRT-MC801

ROBOTIME Vintage Car 3D Wooden Puzzle Model Kit ZQRT-MC801 Instruction Manual

Model: ZQRT-MC801

INTRODUCTION

Welcome to the ROBOTIME Vintage Car 3D Wooden Puzzle Model Kit. This manual provides comprehensive instructions for assembling, operating, and maintaining your model. Designed for adults and teenagers, this kit offers a rewarding building experience, culminating in a detailed 1:15 scale replica of a classic vintage car.

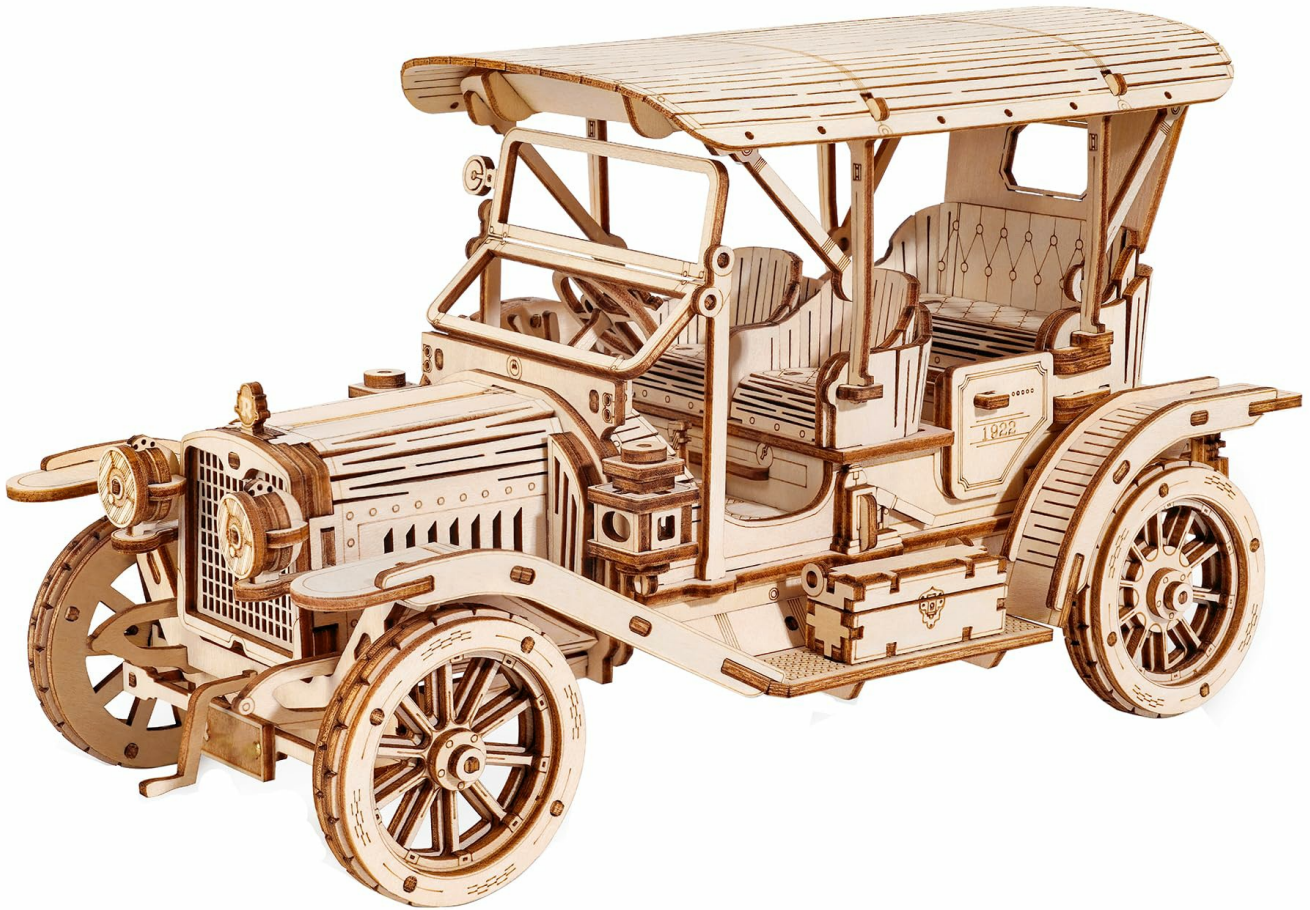


Image: The fully assembled ROBOTIME Vintage Car 3D Wooden Puzzle Model Kit, showcasing its intricate details.

SETUP AND ASSEMBLY

The ROBOTIME Vintage Car kit contains 298 precisely laser-cut wooden pieces. No glue is required for assembly, as pieces are designed to interlock securely. Follow the included illustrated instructions carefully.

Unboxing and Preparation

1. **Open the Package:** Carefully unbox all components.
2. **Verify Contents:** Ensure all wooden sheets and the instruction manual are present. The kit includes illustrated instructions for easy guidance.
3. **Prepare Workspace:** Set up a clean, well-lit workspace to prevent loss of small parts.
4. **Review Instructions:** Read through the entire instruction manual before beginning assembly to familiarize yourself with the steps.

EVERYTHING YOU NEED

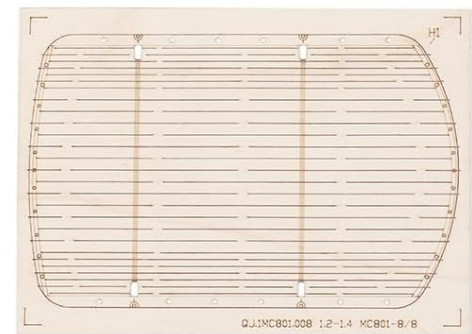
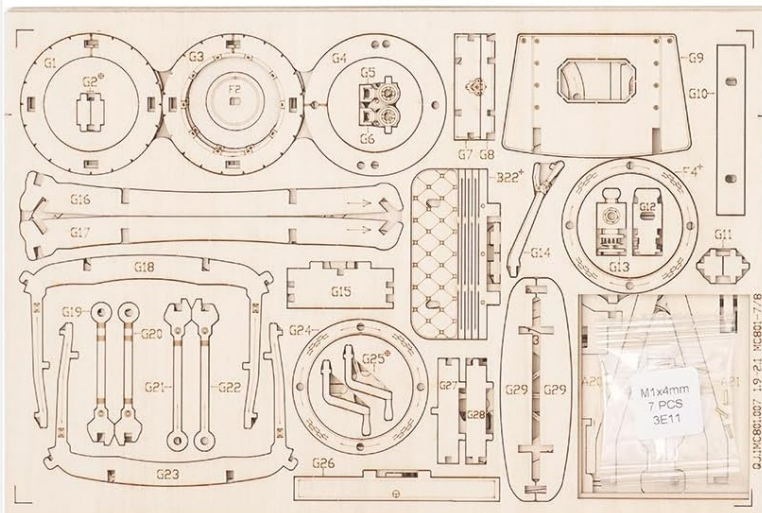
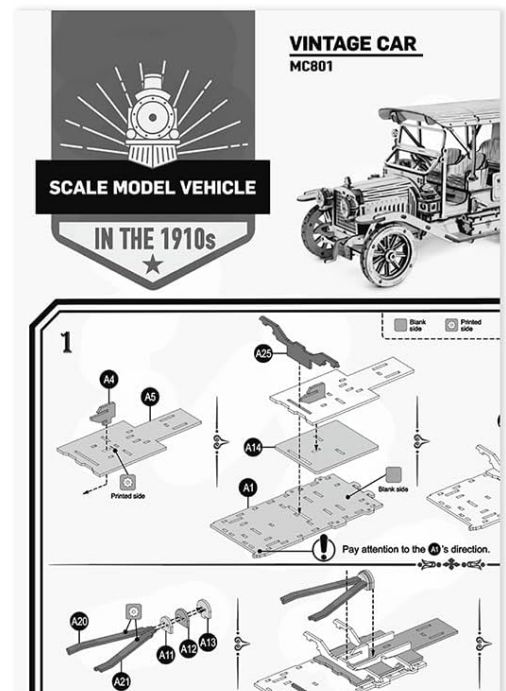


Image: The kit contents, including the instruction manual and laser-cut wooden sheets, ready for assembly.

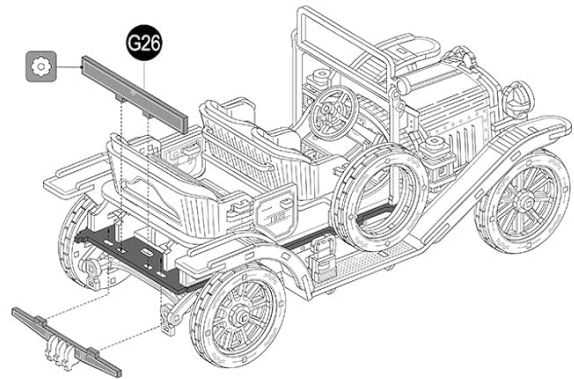
Assembly Process

- **Punch Out Pieces:** Gently press out the wooden pieces from their sheets. Use a small tool if necessary, but avoid excessive force to prevent breakage.
- **Follow Step-by-Step:** Adhere strictly to the numbered steps in the instruction manual. Each step is clearly illustrated.
- **Interlocking Design:** Pieces are designed to fit snugly. If a piece doesn't fit easily, do not force it. Double-check the orientation and part number.
- **Estimated Time:** Assembly typically takes approximately 3 hours.

Open The Package



Read The Instruction



Take Out The Pieces



Build Up Step By Step

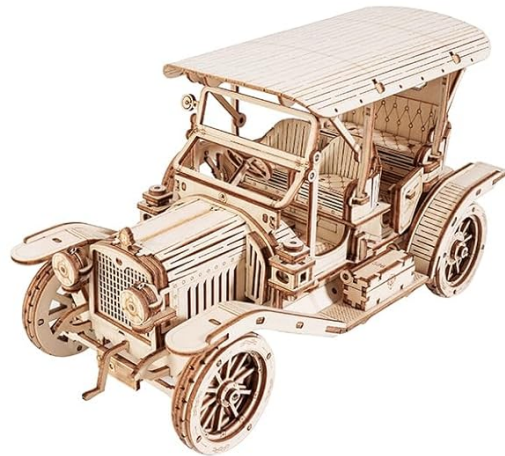


Image: Visual guide demonstrating the four main steps: opening the package, reading instructions, taking out pieces, and building step-by-step.

Assembly Tips

- Exercise patience, especially with smaller or more intricate parts.
- Some users find a small amount of wood glue helpful for securing certain connections, though it is not strictly required by design.
- The laser-cutting technology ensures smooth edges, but handle with care.

Your browser does not support the video tag.

Video: An official ROBOTIME video demonstrating the assembly process and key features of the Vintage Car model.

OPERATING AND FEATURES

The ROBOTIME Vintage Car is a static display model with several interactive features designed to enhance its realism and charm.

- **Sofa-style Seats:** Detailed interior with comfortable-looking seating.
- **Hand Crank Starter:** A replica hand crank starter at the front of the vehicle.

- **Openable Doors:** The car doors can be opened and closed, revealing the interior.
- **Streamlined Fenders:** A classic design element contributing to the vintage aesthetic.
- **Tool Box:** A small, functional toolbox integrated into the design.

MC801 VINTAGE CAR

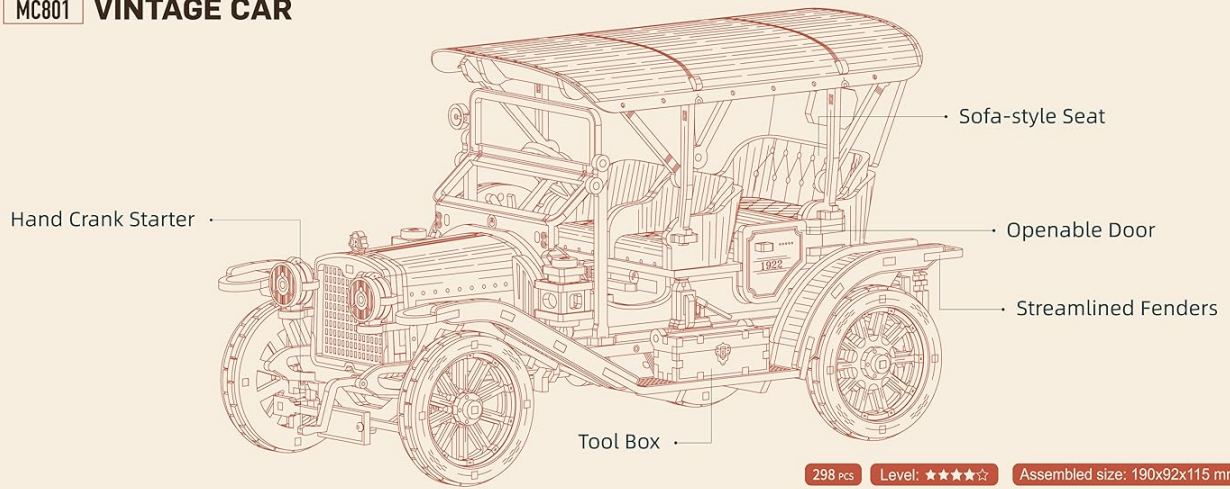


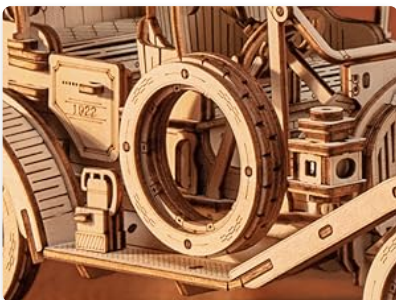
Image: A detailed diagram highlighting the various features of the Vintage Car model, including seats, doors, and the hand crank starter.



Detailed interior seating.



Functional integrated toolbox.



Detailed spare wheel.

MAINTENANCE

To ensure the longevity and appearance of your ROBOTIME Vintage Car model, follow these simple maintenance guidelines:

- **Dusting:** Regularly dust the model with a soft, dry cloth or a soft brush to prevent dust buildup in intricate areas.
- **Environmental Conditions:** Keep the model in a dry environment, away from direct sunlight, excessive humidity, or extreme temperature changes. Wood can warp or crack under adverse conditions.
- **Avoid Liquids:** Do not use water or cleaning solutions on the wooden parts, as this can damage the material.
- **Handling:** Handle the model with care, especially when moving it, to avoid accidental breakage of delicate parts.

TROUBLESHOOTING

While the ROBOTIME Vintage Car kit is designed for a smooth assembly experience, you might encounter minor issues. Here are some common concerns and solutions:

Common Issues and Solutions

- **Pieces are too tight or too loose:**
 - If a piece is too tight, gently sand the edges with fine-grit sandpaper (not included) until it fits.
 - If a piece is too loose, a small drop of wood glue (not included) can be used to secure it.
- **A piece broke during assembly:**
 - Due to the delicate nature of some laser-cut parts, breakage can occur. ROBOTIME provides lifetime spare parts. Please contact customer support for replacements.
 - For minor breaks, wood glue can often repair the piece effectively.
- **Missing parts:**
 - Carefully check all wooden sheets and the packaging. If a part is genuinely missing, contact ROBOTIME customer support for assistance.

SPECIFICATIONS

Brand	ROBOTIME
Model Number	ZQRT-MC801
Puzzle Type	Assembly and Disassembly
Material	Wood
Number of Pieces	298
Assembled Dimensions (L x W x H)	19 x 9.2 x 11.5 cm (7.5 x 3.6 x 4.5 inches)
Theme	Vintage Car
Recommended Minimum Age	14 years (168 months)
Educational Objective	Hand-eye coordination, patience, concentration, creative thinking
Operation Mode	Manual
Components Included	Instructions

Country of Origin

China



296Pcs Assembly



No Glue Needed

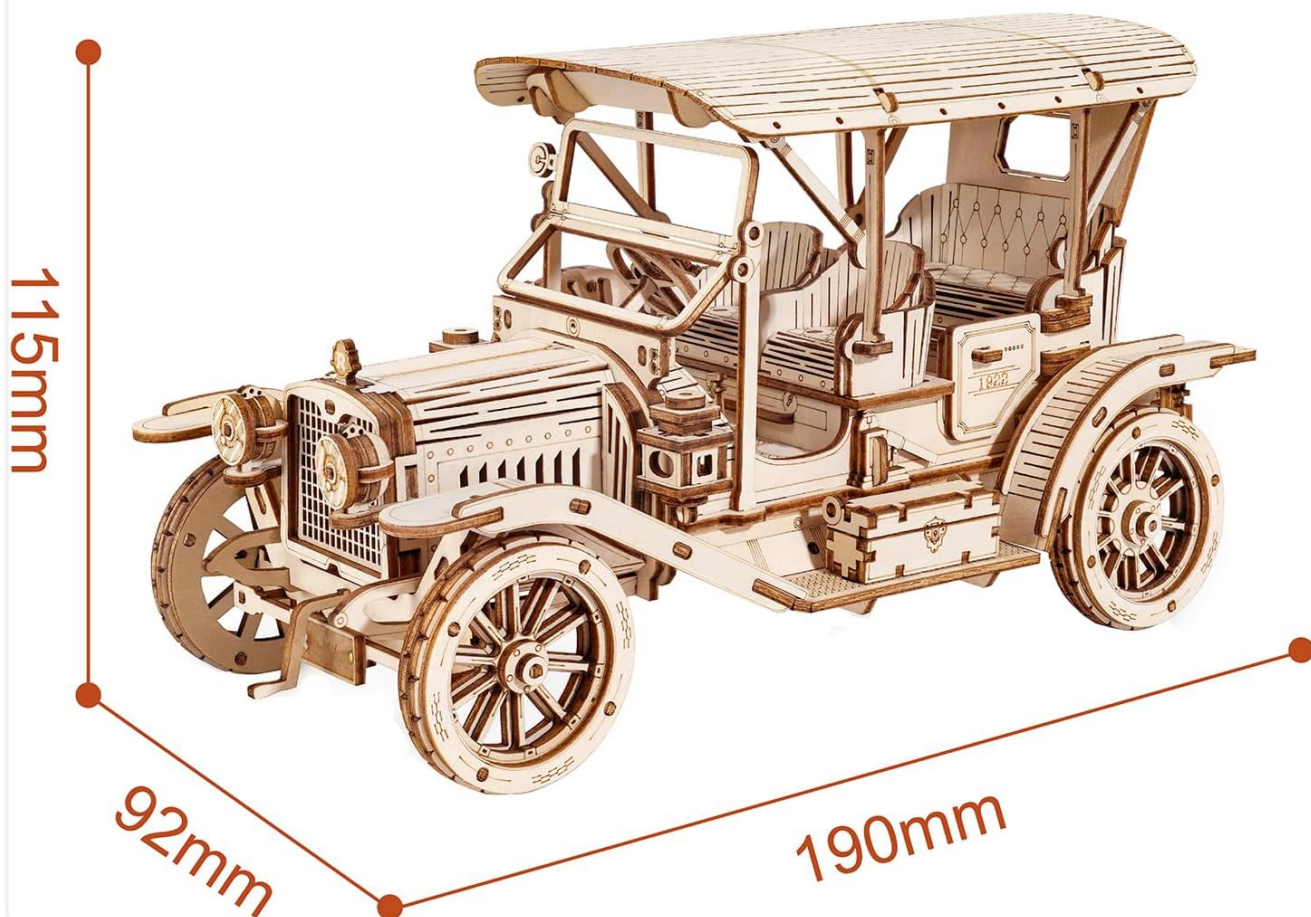


Image: Visual representation of the assembled model's dimensions and key assembly features.

PRODUCT SUPPORT AND SPARE PARTS

ROBOTIME is committed to providing a high-quality product and customer satisfaction.

- **Lifetime Spare Parts:** In the event of missing or broken pieces, ROBOTIME offers lifetime spare parts. Please contact our customer support team for assistance.
- **Customer Service:** For any questions or concerns during the assembly process or regarding your product, please do not hesitate to contact ROBOTIME customer service. Refer to the contact information provided in your product packaging or on the official ROBOTIME website.

