

eclife BT-01

eclife 36-inch Modern Bathroom Vanity Sink Combo

Model: BT-01

[Introduction](#) [Safety Information](#) [Package Contents](#) [Specifications](#) [Setup & Support](#)
[Assembly](#) [Operating & Care](#) [Maintenance](#) [Troubleshooting](#) [Warranty](#)

1. INTRODUCTION

This manual provides detailed instructions for the assembly, installation, operation, and maintenance of your eclife 36-inch Modern Bathroom Vanity Sink Combo, Model BT-01. Please read all instructions carefully before beginning installation and retain this manual for future reference.

The eclife vanity is designed for modern bathrooms, featuring a freestanding cabinet with a small side cabinet, a blue boat glass vessel sink, and a water-saving faucet. It offers maximized storage with 5 drawers and 2 doors with frosted glass, suitable for organizing various bathroom items.

2. SAFETY INFORMATION

- Always ensure all parts are present and undamaged before assembly.
- Use appropriate tools and follow all assembly steps in the correct order.
- Do not overtighten screws, as this may damage the material.
- For plumbing connections, it is recommended to consult a qualified professional.
- Keep small parts away from children during assembly.
- The vanity is heavy; use caution and assistance when moving or lifting.

3. PACKAGE CONTENTS

Your eclife 36-inch Bathroom Vanity Sink Combo includes the following components:

- Main Cabinet
- Small Side Cabinet
- Blue Boat Glass Vessel Sink
- Water Save Faucet

- Drain
- Assembly Instructions
- Hardware Package (screws, hinges, drawer slides, handles, foot pads)

Note: Mirror is NOT included.

SHIPPING & PACKAGING

- 24" Vanity Set: A+B
- 36" Vanity Set: A+B+C
- 48" Vanity Set: A+B+2C
- 60" Vanity Set: 2A+2B+C
- 72" Vanity Set: 2A+2B+2C
- 84" Vanity Set: 2A+2B+3C

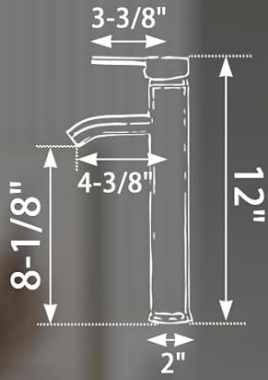
*5 Warehouses Across the US, Different Delivery Time
*Simple Assembly Required

Figure 3.1: Illustration of typical packaging and included components for various vanity sizes. The 36-inch vanity includes Package A, B, and C.

4. SPECIFICATIONS

Feature	Detail
Brand	eclife
Model Name	BT-01
Product Dimensions	20"D x 36"W x 32"H
Item Weight	153 Pounds
Color	Blue Boat (Black cabinet with blue boat glass sink)
Material	Engineered Wood (MDF), Glass (sink), Metal (handles, hinges)
Mounting Type	Floor Mount (Freestanding)
Storage Options	5 drawers, 2 cabinets with frosted glass doors
Special Feature	Soft-close door, Scratch and Stain-Resistant sink surface, Water-saving faucet (1.5 GPM)
Assembly Required	Yes

PRODUCT DIMENSION



MIRROR IS NOT INCLUDED

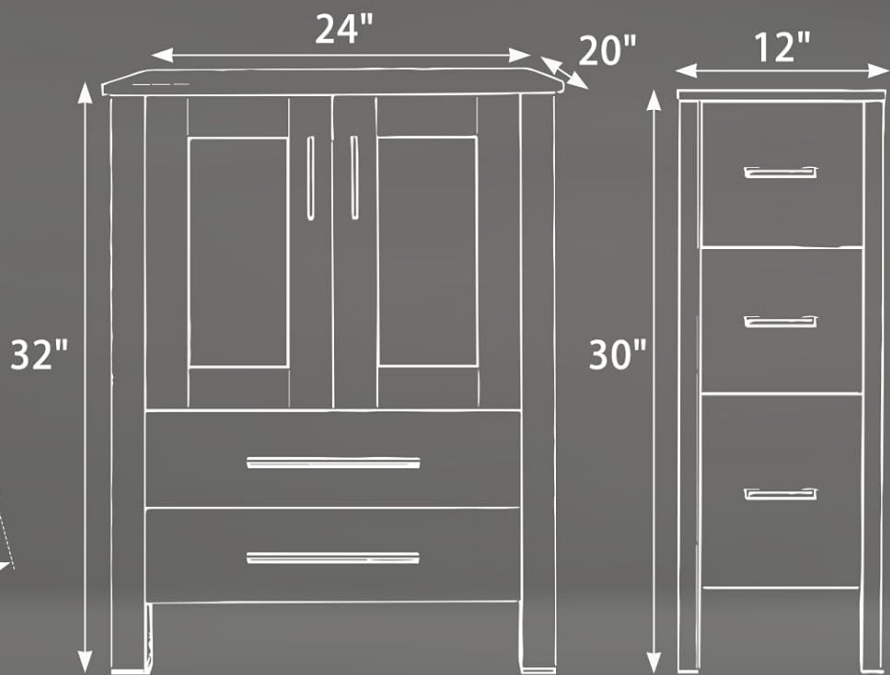
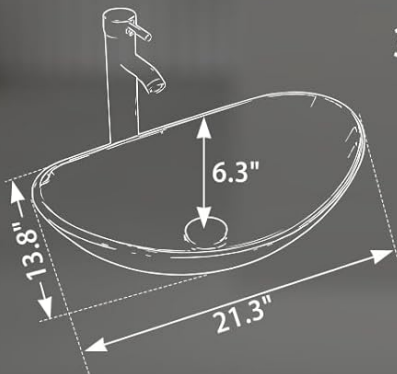
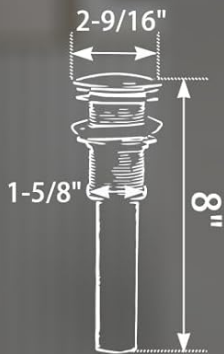


Figure 4.1: Detailed product dimensions for the vanity, side cabinet, faucet, and sink.



Figure 4.2: Key features and materials of the vanity cabinet, including hardware and construction details.

HANDMADE SINK ONLY FOR UNIQUE YOU



30% Water Save



Scratch Resistance



Easy To Clean Up



*Attention: Each sink is unique by handmade, it makes slight color and pattern variations possible

Figure 4.3: Features of the handmade blue boat glass vessel sink and water-saving faucet.

5. SETUP & ASSEMBLY

The eclife vanity requires assembly. Please refer to the included instruction manual and the assembly video for detailed step-by-step guidance. Ensure you have all necessary tools before starting.

5.1. General Assembly Steps

1. **Prepare Components:** Identify all panels (L1, L2, G1, G2, G3, G4, G5, G6, G7, G8, R1, R2) and hardware (A, B, D, E, F, G, I, J, M) as per the instruction manual.
2. **Assemble Side Panels:** Attach the side panels (L1, L2) to the back panel (G1) using screws (B) and cam locks (A).
3. **Install Drawer Slides:** Secure the drawer slides (M) to the side panels using screws.
4. **Assemble Base and Shelves:** Attach the bottom panel (G2) and shelves (G5) to the side panels using dowels (D) and cam locks (A).

5. **Install Top Panel:** Secure the top panel (G8) to the assembled frame using screws (B) and cam locks (A).
6. **Attach Hinges:** Install the soft-close hinges (F) to the cabinet frame using screws (E).
7. **Install Door Handles:** Attach the door handles (I) to the cabinet doors using screws (G).
8. **Assemble Drawers:** Construct the drawer boxes (GA1, GA2, GA3, GA4) using screws (B) and cam locks (A). Attach the drawer handles (J) and drawer slides (M) to the drawer boxes.
9. **Insert Drawers and Doors:** Carefully slide the assembled drawers into their respective slots and attach the cabinet doors to the hinges.
10. **Install Sink and Faucet:** Place the vessel sink on the vanity top and install the faucet and drain according to their specific instructions. Ensure all plumbing connections are sealed properly to prevent leaks.

5.2. Assembly Video Guide

Video 5.1: ECLIFE Classic Bathroom Black Vanity Assembly Video. This video provides a visual guide for assembling the vanity cabinet, including attaching panels, installing drawer slides, and securing the top. (Duration: 2:20)

6. OPERATING & CARE

6.1. General Usage

- Ensure the vanity is placed on a level surface to prevent wobbling and ensure proper door and drawer alignment.
- Utilize the drawers and cabinet space for organized storage of bathroom essentials.
- The faucet is designed for water conservation (1.5 GPM aerator).

6.2. Door Hinge Adjustment

The cabinet doors feature soft-close adjustable hinges. If doors are misaligned or do not close properly, adjustments can be made using a screwdriver.

Video 6.1: ECLIFE Operation Guide for Adjustable Door Hinge. This short video demonstrates how to adjust the cabinet door hinges for proper alignment. (Duration: 0:17)

7. MAINTENANCE

7.1. Cleaning the Cabinet

- Wipe the MDF cabinet surfaces with a soft, damp cloth.
- Avoid using abrasive cleaners or harsh chemicals, as these can damage the finish.
- Promptly wipe up any spills to prevent water damage to the engineered wood.

7.2. Cleaning the Sink and Faucet

- The glass vessel sink has a scratch and stain-resistant surface, making it easy to clean. Use mild soap and water with a soft cloth.
- For the faucet, use a soft cloth and non-abrasive cleaner specifically designed for metal fixtures.
- Rinse thoroughly after cleaning and dry with a soft cloth to prevent water spots.

8. TROUBLESHOOTING

If you encounter any issues with your eclife vanity, please refer to the following common solutions:

- **Wobbly Cabinet:** Ensure the vanity is on a level surface. Adjust the foot pads if necessary. Check that all cam locks and screws are securely tightened.
- **Misaligned Doors/Drawers:** Adjust the door hinges as shown in Video 6.1. For drawers, ensure the slides are correctly installed and aligned.
- **Leaking Faucet/Drain:** Check all plumbing connections for tightness. Ensure Teflon tape or plumber's putty was used correctly during installation. If leaks persist, consult a professional plumber.
- **Stiff Drawers:** Ensure drawer slides are clean and free of debris. A small amount of silicone lubricant can be applied to the slides if needed.
- **Missing Parts:** If any parts are missing or damaged upon arrival, please contact eclife customer support immediately.

9. WARRANTY INFORMATION

While specific warranty details are not provided in this document, eclife offers a 3-Year Protection Plan for this product. For detailed information regarding warranty coverage, terms, and conditions, please refer to the documentation included with your purchase or contact eclife customer support.

10. CUSTOMER SUPPORT

For any questions, assistance, or to report missing/damaged parts, please contact eclife customer support. You can also visit the official eclife store on Amazon for more information and products.

eclife Store: [Visit the eclife Store](#)