



[Manuals.plus](#) /

> [JUBEST](#) /

> JUBEST 7FT Heavy Duty Black Top Mounted Barn Door Hardware Kit Instruction Manual

JUBEST TSQ22BK

JUBEST 7FT Heavy Duty Black Top Mounted Barn Door Hardware Kit Instruction Manual

Model: TSQ22BK

1. INTRODUCTION

This manual provides detailed instructions for the installation, operation, and maintenance of your JUBEST 7FT Heavy Duty Black Top Mounted Barn Door Hardware Kit. This kit is designed for use with 42-inch aluminum framed glass doors or various wooden barn doors. The hardware is constructed from high-quality carbon steel with a matte black finish, featuring durable nylon wheels tested for over 100,000 rolls to ensure longevity and smooth operation.

Please read all instructions carefully before beginning installation to ensure proper setup and safe use.

2. SAFETY INFORMATION

- Always wear appropriate safety gear, including safety glasses and gloves, during installation.
- Ensure the wall structure is capable of supporting the weight of the door and the hardware kit. Consult a professional if unsure.
- Use the correct tools for each step of the installation process.
- Keep children and pets away from the work area during installation.
- Do not modify the hardware components. Use only original JUBEST parts.
- Ensure all fasteners are securely tightened before operating the door.

3. PACKAGE CONTENTS

Verify that all components listed below are present and undamaged before beginning installation. If any parts are missing or damaged, please contact customer service.

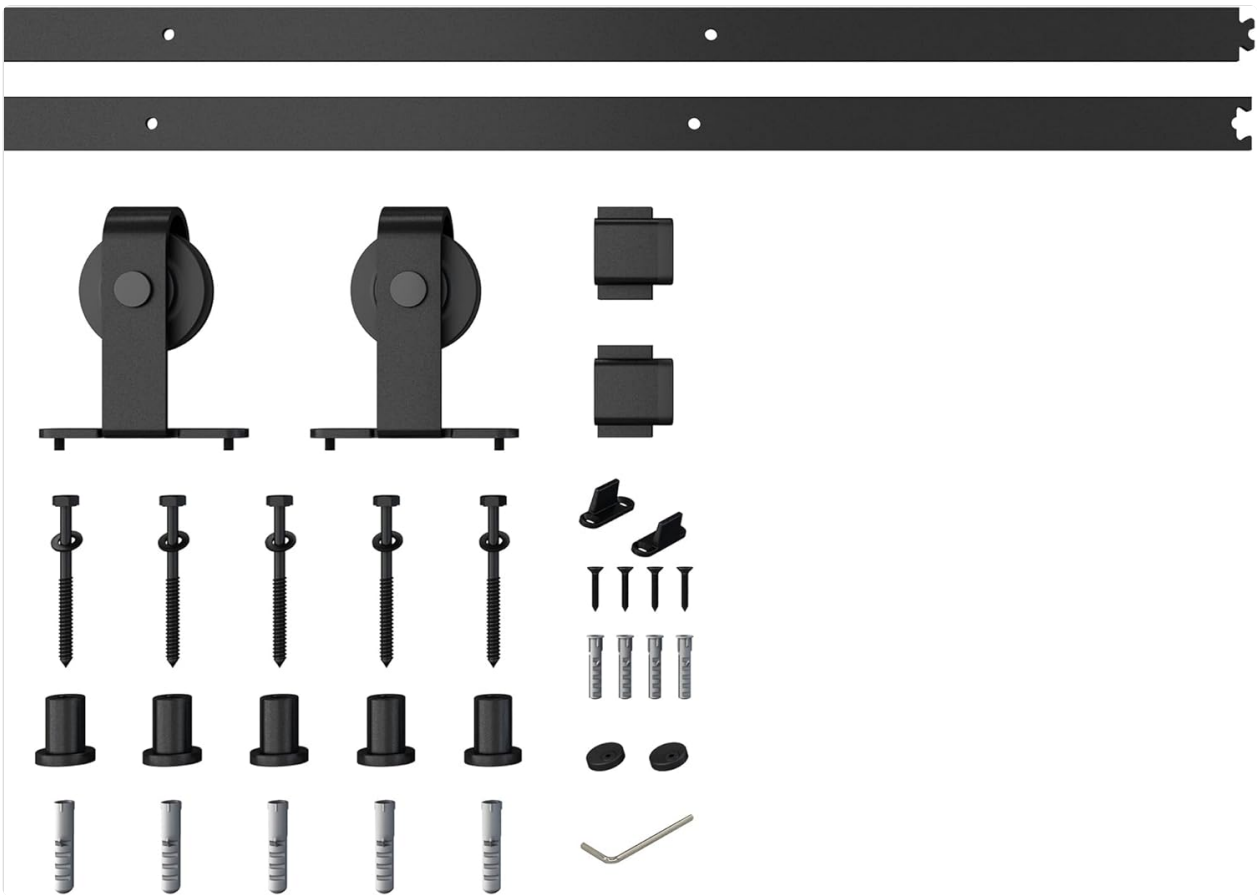


Image 3.1: Overview of all hardware components included in the kit.

- 2x 3.5FT Rails (connect to form a complete 7ft rail)
- 5x Rail Spacers
- 2x Rollers (Hangers)
- 2x Door Stops
- 1x Hex Key
- All necessary mounting hardware (screws, anchors, etc.)

4. SETUP AND INSTALLATION

The JUBEST barn door hardware kit is designed for straightforward installation. A detailed professional installation manual is provided as a reference. The following steps outline the general installation process.

4.1 Prepare the Wall and Door

1. Measure the width of your door. The track length should be at least twice the width of your door for proper operation. This 7FT kit is suitable for doors up to 42 inches wide.
2. Locate wall studs where the track will be mounted. Mark the drilling points for the rail spacers.
3. Ensure the wall is flat and strong enough to support the weight of the door and hardware.

4.2 Assemble the Track

EASY TO INSTALL

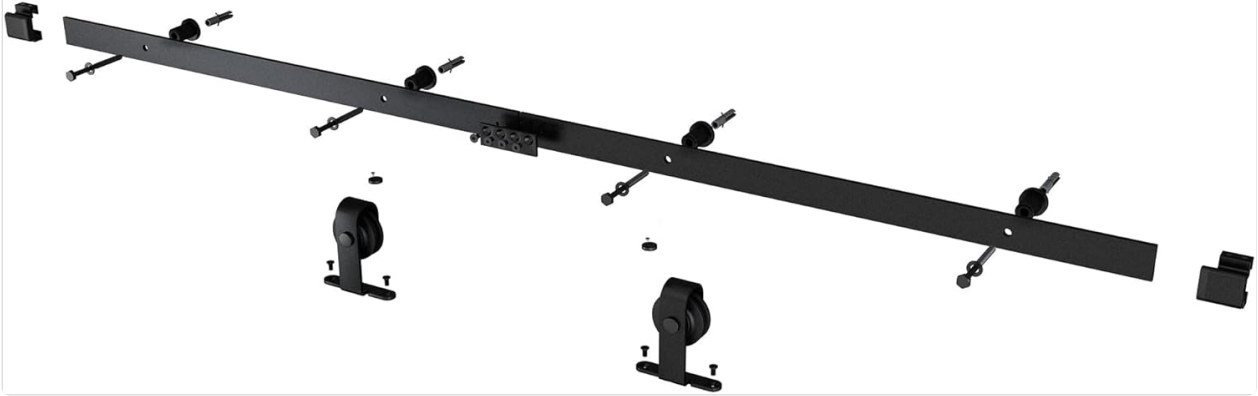


Image 4.1: Components for track assembly, including bolts and spacers.

1. Connect the two 3.5FT rail sections using the provided connector plate and screws. Ensure they are aligned perfectly to create a smooth 7FT track.
2. Attach the rail spacers to the track at the marked drilling points.

4.3 Mount the Track to the Wall

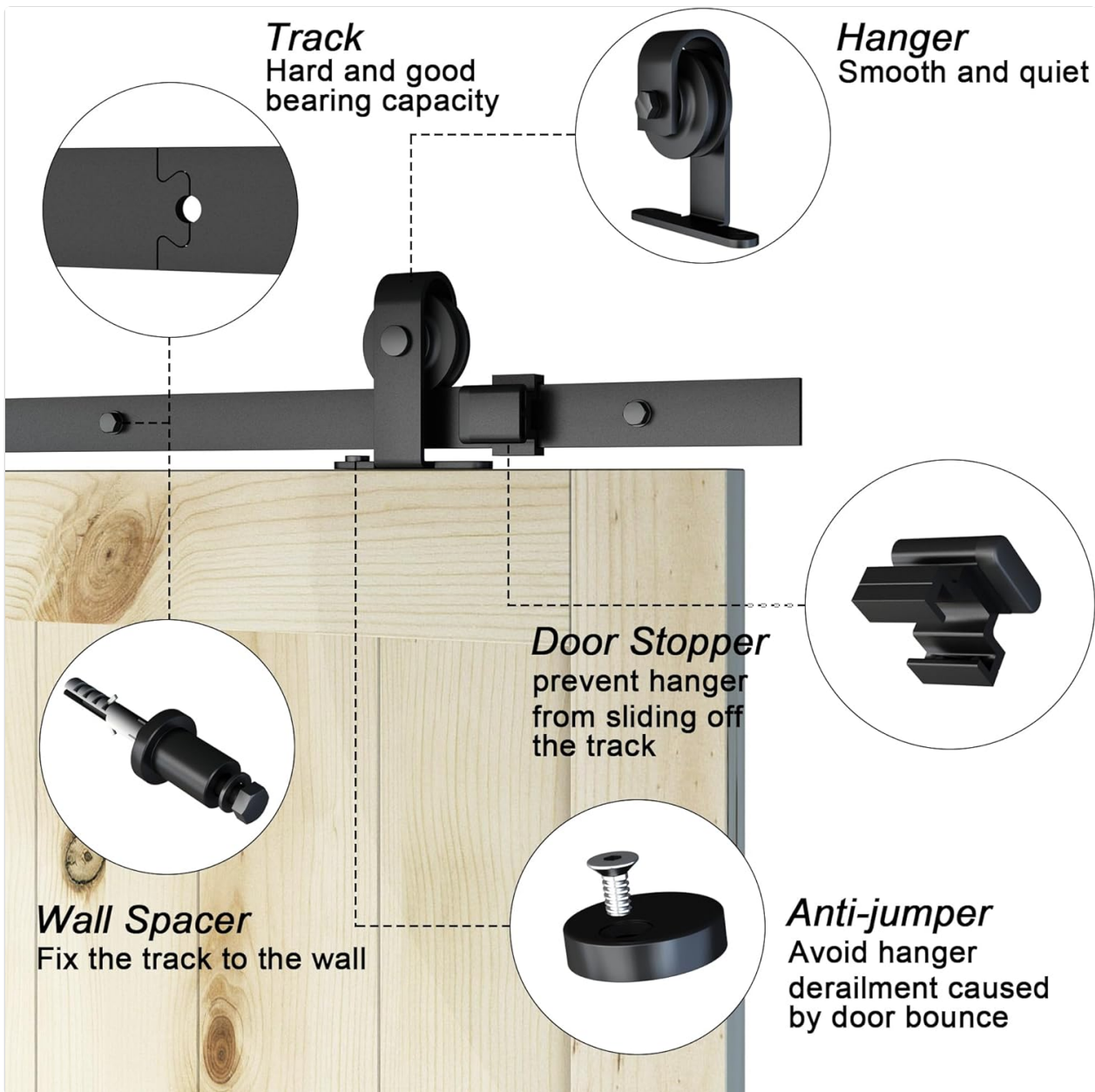


Image 4.2: Detailed view of track components and their interaction with the door.

1. Drill pilot holes at the marked locations on the wall. Use appropriate drill bits for your wall material (wood, drywall with anchors, concrete).
2. Secure the assembled track to the wall using the provided lag bolts and wall spacers. Ensure the track is level.
3. Tighten all bolts securely, but do not overtighten.

4.4 Install Rollers and Door Stops

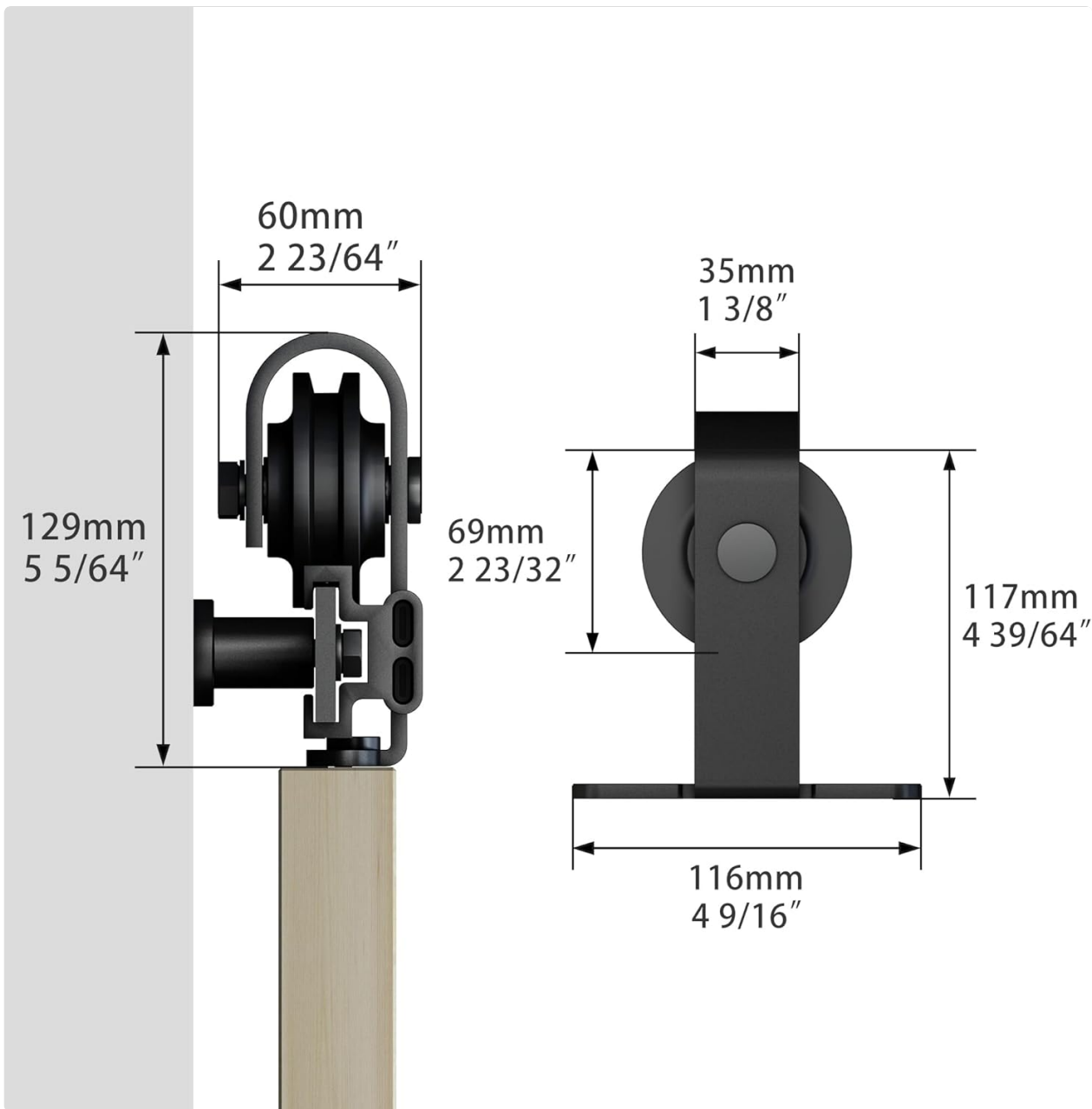


Image 4.3: Dimensions of the roller/hanger for proper door clearance.

1. Attach the rollers (hangers) to the top edge of your barn door. Ensure they are evenly spaced and securely fastened. Refer to the door manufacturer's instructions for specific mounting points if applicable.
2. Hang the door onto the track by aligning the rollers with the track.
3. Install the door stops at both ends of the track to prevent the door from sliding off. Adjust their positions to control the door's travel range.
4. Install the anti-jumper discs on top of the door to prevent the door from lifting off the track.



Image 4.4: Example of a glass-paneled barn door installed with the hardware kit.



Image 4.5: Example of a wooden barn door installed with the hardware kit.

5. OPERATING INSTRUCTIONS

To operate your barn door, simply grasp the door handle (if installed) and slide the door along the track. The nylon wheels are designed for smooth and quiet operation.

- Ensure the path of the door is clear of obstructions before sliding.
- Avoid forcing the door if it encounters resistance. Inspect the track and rollers for any issues.
- The door stops are adjustable to limit the door's travel. Do not attempt to slide the door past the stops.

6. MAINTENANCE

Regular maintenance will ensure the longevity and smooth operation of your barn door hardware kit.

- **Cleaning:** Wipe down the track and rollers periodically with a soft, damp cloth to remove dust and debris. Avoid abrasive cleaners.
- **Lubrication:** Apply a silicone-based lubricant to the roller bearings and the top edge of the track every 6-12

months, or as needed, to maintain smooth gliding. Do not use oil-based lubricants as they can attract dust.

- **Fastener Check:** Periodically check all mounting bolts and screws to ensure they remain tight. Retighten if necessary.
- **Roller Inspection:** Inspect the nylon wheels for any signs of wear or damage. Replace worn rollers to prevent damage to the track or door.

7. TROUBLESHOOTING

Problem	Possible Cause	Solution
Door is difficult to slide or makes noise.	<ul style="list-style-type: none">◦ Dust or debris on the track.◦ Lack of lubrication on rollers/track.◦ Loose fasteners.◦ Damaged rollers.	<ul style="list-style-type: none">◦ Clean the track and rollers.◦ Apply silicone lubricant to rollers and track.◦ Check and tighten all fasteners.◦ Inspect and replace damaged rollers.
Door sways or feels unstable.	<ul style="list-style-type: none">◦ Track not securely mounted.◦ Anti-jumper discs not installed or adjusted correctly.	<ul style="list-style-type: none">◦ Check and tighten all track mounting bolts.◦ Ensure anti-jumper discs are properly installed and positioned.
Door does not stop at desired position.	Door stops are loose or incorrectly positioned.	Adjust and tighten the door stops to the desired positions.

8. SPECIFICATIONS

Feature	Detail
Brand	JUBEST
Model	TSQ22BK
Track Length	7 Feet (composed of 2x 3.5FT rails)
Color	Black (Matte Finish)
Material	Carbon Steel
Roller Material	Nylon
Item Weight	13 Pounds
Door Compatibility	Up to 42-inch wide aluminum framed glass doors or wooden barn doors
Assembly Required	Yes

9. WARRANTY AND SUPPORT

JUBEST is committed to providing reliable and qualified barn door hardware. For any quality problems, missing parts, or installation difficulties, please contact our customer service team. Our professional customer service team is available to assist you.

For support, please refer to the contact information provided with your purchase or visit the official JUBEST store online.

Online Store: [JUBEST Store on Amazon](#)