

[Manuals.plus](#) /

> [WENKO](#) /

> WENKO Tardería Wall Shelf with 3 Towel Bars - Instruction Manual

WENKO Tardería

WENKO Tardería Wall Shelf with 3 Towel Bars - Instruction Manual

Model: Tardería | Brand: WENKO

1. PRODUCT OVERVIEW

The WENKO Tardería Wall Shelf is a modern and space-saving solution designed to bring order and elegance to your bathroom, guest toilet, or kitchen. It features a sleek black metal frame, a black glass shelf, and three integrated towel bars, offering versatile storage and drying options.



Figure 1: WENKO Tardería Wall Shelf in use, displaying towels and toiletries on the glass shelf.

2. PACKAGE CONTENTS

Please check the package to ensure all components are present and undamaged.

- 1 x WENKO Tardería Wall Shelf (Black Metal Frame with Integrated Towel Bars)
- 1 x Black Glass Shelf
- Mounting Hardware (Screws and Dowels)

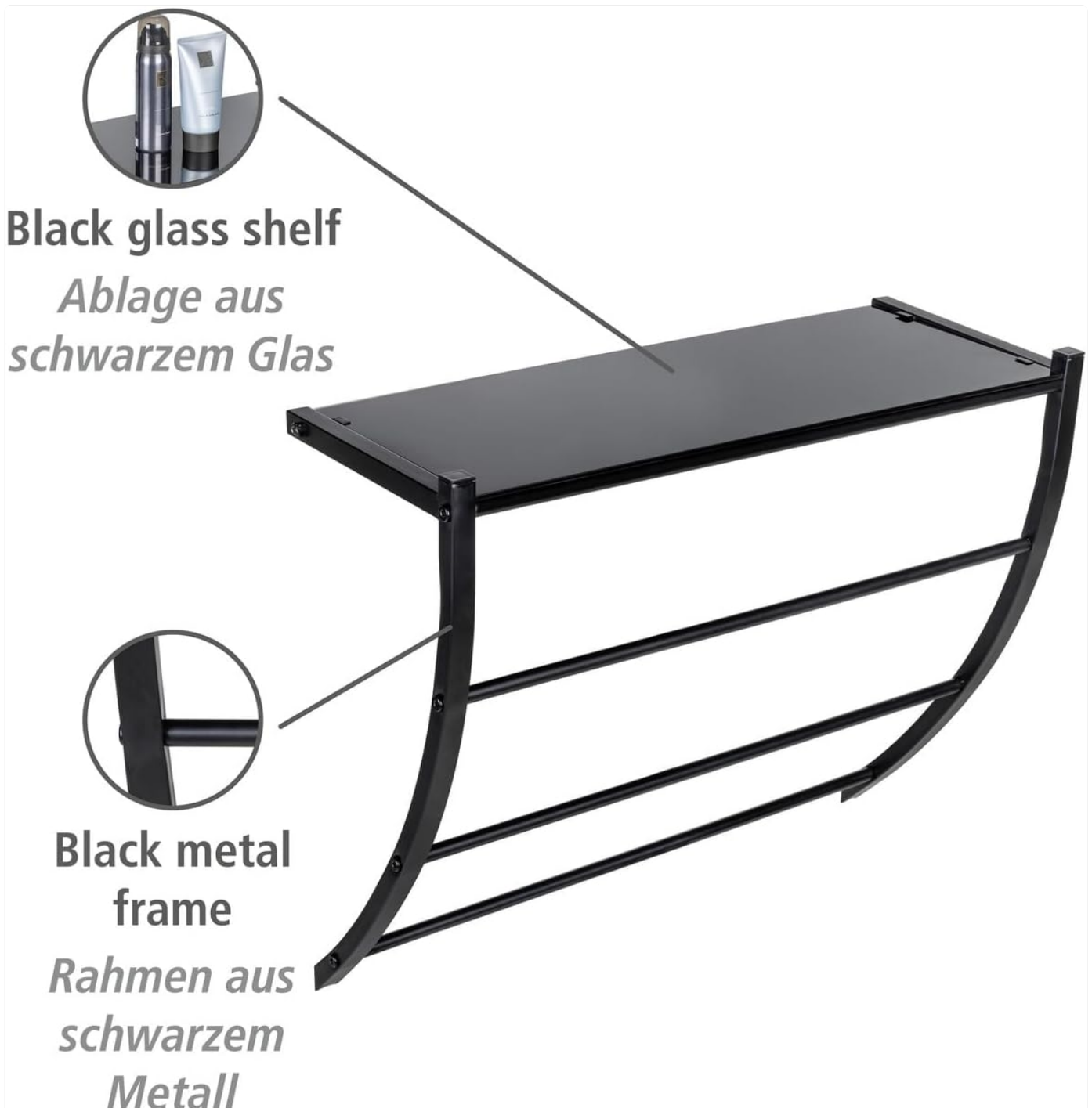


Figure 2: Key components of the wall shelf, highlighting the black glass shelf and the black metal frame.

3. SAFETY INSTRUCTIONS

- Ensure the wall is suitable for mounting and can support the weight of the shelf and its contents.
- Use appropriate tools and follow all installation steps carefully to prevent injury or damage.
- Keep small parts and packaging materials away from children.
- Do not overload the shelf.

4. SETUP AND INSTALLATION

The WENKO Tardería Wall Shelf is designed for wall mounting. Screws and dowels are included in the package.

Tools Required (Not Included):

- Drill
- Drill bit appropriate for your wall type and dowel size
- Spirit level
- Pencil
- Measuring tape
- Screwdriver

Installation Steps:

1. **Choose Location:** Select a suitable wall location in your bathroom, kitchen, or guest toilet. Ensure there are no hidden pipes or electrical wires behind the drilling points.
2. **Mark Drilling Points:** Hold the shelf against the wall at the desired height and use a spirit level to ensure it is perfectly horizontal. Mark the drilling points for the mounting holes with a pencil.
3. **Drill Holes:** Drill holes at the marked points using the appropriate drill bit. The depth and diameter of the holes should match the provided dowels.
4. **Insert Dowels:** Insert the dowels into the drilled holes until they are flush with the wall surface.
5. **Mount Shelf:** Align the shelf's mounting holes with the inserted dowels. Insert the screws through the shelf's mounting points and tighten them securely into the dowels using a screwdriver. Do not overtighten.
6. **Place Glass Shelf:** Carefully place the black glass shelf onto the designated area of the metal frame. Ensure it sits securely.



- ✓ Airy spaces due to curved shape
- ✓ For wall mounting, screws and dowels included

- ✓ *Luftige Zwischenräume durch stufenförmige Anordnung*
- ✓ *Zur Wandmontage, Schrauben und Dübel enthalten*

Figure 3: Illustration of the shelf's features, including the wall mounting points and the airy design of the towel bars.

5. OPERATING AND USAGE

The WENKO Tardería Wall Shelf is versatile and can be used in various ways:

- **Bathroom:** Use the three towel bars to hang hand towels, bath towels, or guest towels. The curved, stepped arrangement ensures airy spaces for quick drying. The glass shelf provides ample space for toiletries, care products, or decorative items.
- **Kitchen:** Hang dishcloths or kitchen towels on the bars for easy access or drying. The glass shelf can hold small kitchen utensils, spices, or decorative elements.
- **Other Rooms:** The shelf's modern design also makes it suitable for hallways to hang scarves or small bags, or in bedrooms for accessories.



Figure 4: The shelf demonstrating its versatility, holding clothes hangers and a decorative container on the glass surface.



Figure 5: The shelf organized with a fabric basket containing toiletries, showcasing its practical storage capabilities.



Figure 6: The shelf used to hang a scarf and hold a belt organizer, illustrating its use beyond just towels.

6. MAINTENANCE

To ensure the longevity and appearance of your WENKO Tardería Wall Shelf, follow these maintenance guidelines:

- **Cleaning:** Wipe the metal frame and glass shelf with a soft, damp cloth. For stubborn marks, use a mild, non-abrasive cleaner.
- **Avoid Harsh Chemicals:** Do not use abrasive cleaners, scouring pads, or strong chemical detergents, as these can damage the finish of the metal and glass.
- **Drying:** After cleaning, dry all surfaces thoroughly with a clean, dry cloth to prevent water spots, especially on the glass.
- **Regular Checks:** Periodically check the mounting screws to ensure they remain tight and secure.

7. TROUBLESHOOTING

If you encounter any issues with your WENKO Tardería Wall Shelf, please refer to the following common solutions:

Problem	Possible Cause	Solution
Shelf feels wobbly after installation.	Screws are not tightened sufficiently, or dowels are not properly seated.	Ensure screws are fully tightened. If the issue persists, re-evaluate the dowel installation and wall integrity.
Glass shelf does not sit flat.	Debris on the frame, or the frame itself is not level.	Remove the glass shelf and clean the frame surface. Re-check if the main metal frame is level using a spirit level.
Scratches on the metal frame or glass.	Improper cleaning materials or sharp objects.	Use only soft cloths and non-abrasive cleaners. Avoid placing sharp or rough objects directly on the surfaces.

8. SPECIFICATIONS

Feature	Detail
Model Name	Tardería
Brand	WENKO
Dimensions (W x H x D)	56 x 46 x 21.5 cm (22.05 x 18.11 x 8.46 inches)
Item Weight	1805 grams (approx. 1.8 kg / 4 lbs)
Material	Metal (Black), Glass (Black)
Number of Shelves	1 (Glass Shelf)
Towel Bars	3
Installation Type	Wall Mount
Suitable Rooms	Bathroom, Kitchen
ASIN	B0C9MNL9JB
Manufacturer Reference	25789100



Figure 7: Detailed dimensions of the WENKO Tardería Wall Shelf.

9. WARRANTY AND SUPPORT

WENKO products are designed for quality and durability. For specific warranty information or technical support, please refer to the official WENKO website or contact their customer service directly. Keep your proof of purchase for any warranty claims.

WENKO Official Website: www.wenko.com

© 2024 WENKO. All rights reserved.

This manual is for informational purposes only. WENKO reserves the right to make changes to the product or specifications at any time without notice.