



Manuals.plus /

› LEDIARY /

› LEDIARY 4-Inch 5CCT LED Recessed Lighting with Junction Box (Model RL1008) Instruction Manual

LEDIARY RL1008

LEDIARY 4-Inch 5CCT LED Recessed Lighting with Junction Box (Model RL1008) Instruction Manual

1. PRODUCT OVERVIEW

The LEDIARY 4-inch 5CCT LED Recessed Lighting fixture is designed for various indoor lighting applications. This product features adjustable color temperatures, dimming capabilities, and a space-saving design with an integrated junction box for simplified installation.

- **Adjustable Color Temperature:** Offers five selectable color temperatures (2700K, 3000K, 4000K, 5000K, 6000K) to suit different lighting preferences.
- **Easy Installation:** Designed for direct installation without the need for a traditional recessed can, requiring only 2 inches of ceiling space.
- **Safety Certifications:** IC Rated for direct contact with insulation and ETL certified for electrical safety.
- **Smooth Dimming:** Compatible with most standard dimmers, allowing brightness adjustment from 10% to 100% without flickering or humming.
- **High Brightness:** Provides 750 lumens of light output with a 9-watt power consumption.

2. SAFETY INFORMATION

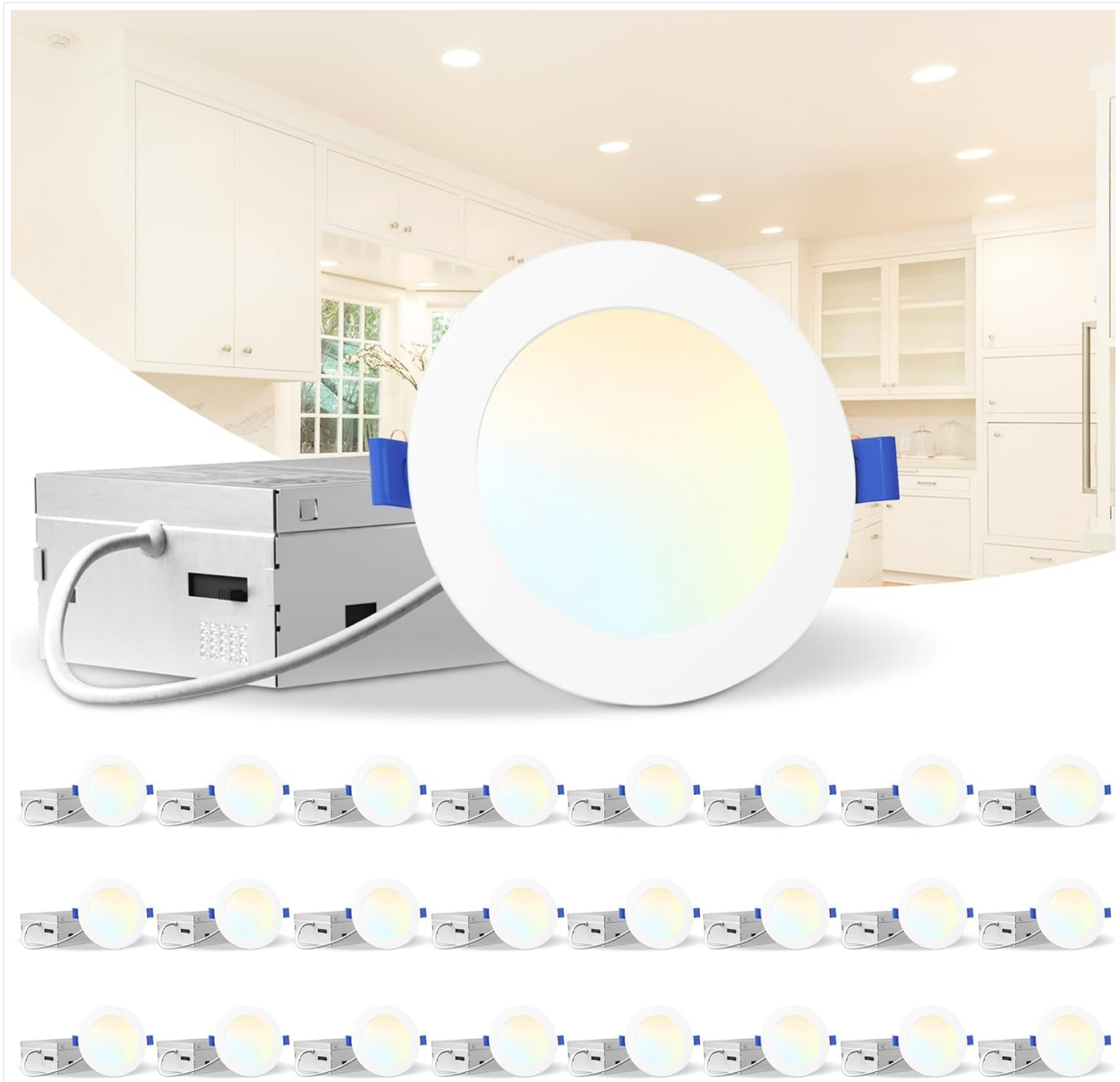
Please read all instructions carefully before installation and retain this manual for future reference. Improper installation can lead to electrical shock or fire hazards.

- Always turn off power at the circuit breaker before beginning installation or maintenance.
- Consult a qualified electrician if you are unsure about the installation process.
- Ensure all electrical connections comply with local electrical codes and ordinances.
- Do not modify the fixture or its components.
- This fixture is IC Rated, allowing direct contact with insulation.
- Suitable for damp locations, such as bathrooms.

3. PACKAGE CONTENTS

Verify that all components are present and undamaged before proceeding with installation.

- 24 x LEDIARY 4-Inch 5CCT LED Recessed Lights with integrated junction boxes
- Mounting Hardware



An overview of the LEDIARY 4-inch 5CCT LED Recessed Light, featuring a single light fixture connected to its junction box, alongside a visual representation of 24 individual light units. This illustrates the product's design and typical packaging.

4. SPECIFICATIONS

Specification	Detail
Brand	LEDIARY
Model Name	4 Inch recessed Lighting (RL1008)
Size	4 Inch
Color Temperature	2700K, 3000K, 4000K, 5000K, 6000K (Selectable)
Wattage	9 Watts
Brightness	750 Lumens
Voltage	120 Volts
Material	Aluminum, Plastic
Product Dimensions	4.7"L x 4.7"W x 0.33"H
Installation Type	Flush Mount
Special Features	Adjustable 5 Color Temperature, Energy Efficient, IC Rated, ETL, Smooth Dimmable
Indoor/Outdoor Usage	Indoor (Damp Rated)
Lifespan	50,000 Hours

5. INSTALLATION INSTRUCTIONS

Follow these steps for safe and proper installation of your LEDIARY recessed lights.

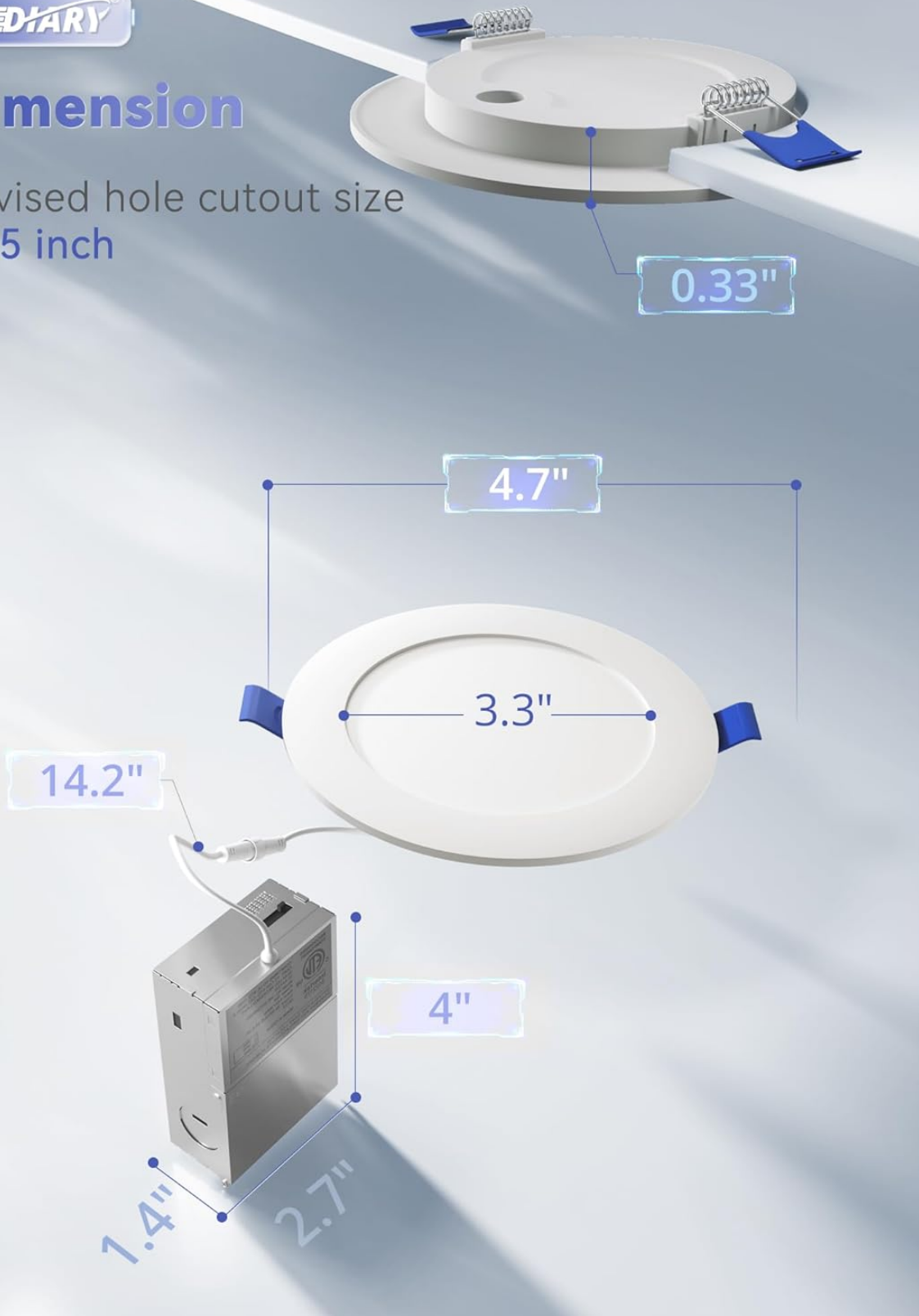
5.1 Pre-Installation

- Turn off power at the circuit breaker before starting.
- Determine the desired location for each light fixture. Ensure there are no obstructions (e.g., pipes, wires) in the ceiling.
- Review the dimensions for the light and junction box to ensure adequate space.

LEDIARY®

Dimension

Advised hole cutout size
4.35 inch



A detailed diagram providing the dimensions of the LEDIARY 4-inch recessed light and its accompanying junction box, including the advised hole cutout size of 4.35 inches.

5.2 Installation Steps

1. **Cut a Hole:** Using a hole saw, cut a circular hole in the ceiling at the desired location. The recommended hole size is between 4.2 inches and 4.5 inches. The advised cutout size is 4.35 inches.
2. **Connect Wiring:** Open the junction box cover. Connect the household electrical wires (Live, Neutral, Ground) to the corresponding wires inside the junction box using wire nuts. Ensure secure connections. Close the junction box cover.

3. **Connect Light Panel:** Connect the cable from the recessed light fixture to the junction box cable using the provided quick connector.
4. **Mount Light:** Push the spring-loaded clips on the side of the light fixture upwards. Insert the light fixture into the ceiling hole. Release the clips to secure the light flush against the ceiling.



A step-by-step visual guide for installing the LEDIARY recessed light, showing how to cut the ceiling hole, connect electrical wiring to the junction box, connect the light panel, and finally mount the light.



A close-up view of the LEDIARY 4-inch recessed light seamlessly installed into a white ceiling, demonstrating its low-profile and integrated appearance.

6. OPERATING INSTRUCTIONS

6.1 Color Temperature Selection

The LEDIARY recessed light offers five selectable color temperatures. Before final installation into the ceiling, locate the switch on the side of the junction box. Slide the switch to select your desired color temperature (2700K, 3000K, 4000K, 5000K, or 6000K).

LEDIARY

5 Color Temperature Selectable

...

Free to choose the lighting ambiance you want



A visual representation highlighting the five selectable color temperature options (2700K, 3000K, 4000K, 5000K, 6000K) available with the LEDIARY recessed light, allowing users to choose their preferred lighting ambiance.

6.2 Dimming Function

These recessed lights are designed to be smoothly dimmable from 10% to 100% brightness when connected to a compatible dimmer switch. Ensure your dimmer switch is compatible with LED lighting. Refer to the compatibility chart below for recommended dimmer models.



A compatibility chart listing various dimmer brands and models (Lutron, Leviton, Elegrp, Maxxima) that are compatible with the LEDIARY recessed lighting, along with their star ratings for performance.

LEDIARY

10%-100% Smooth Dimming

Compatible with most dimmers



An illustrative graphic demonstrating the smooth dimming range of the LEDIARY recessed light, from 10% to 100% brightness, indicating compatibility with most dimmers.

7. MAINTENANCE

The LEDIARY recessed lights require minimal maintenance.

- Ensure power is off before cleaning.
- Clean the fixture with a soft, dry, or slightly damp cloth. Do not use abrasive cleaners or solvents.
- Regularly check for any loose connections or signs of damage.

8. TROUBLESHOOTING

If you encounter issues with your LEDIARY recessed lights, refer to the following common problems and solutions:

Problem	Possible Cause	Solution
Light does not turn on	No power, loose wiring, faulty fixture	Check circuit breaker. Verify all wire connections are secure. Test with a known working fixture if possible. Contact customer support if the fixture is faulty.
Light flickers or hums	Incompatible dimmer, loose wiring	Ensure dimmer is LED-compatible and listed in the compatibility chart. Check all wiring connections.
Incorrect color temperature	Color temperature switch set incorrectly	Turn off power. Access the junction box and adjust the CCT switch to the desired setting.
Some lights in a pack do not work	Individual fixture defect	Contact LEDIARY customer support for assistance or replacement.

9. WARRANTY AND SUPPORT

LEDIARY provides a 5-year after-sales service for this product. If you encounter any issues or have questions regarding your LEDIARY 4-inch 5CCT LED Recessed Lighting, please do not hesitate to contact our customer support team. Your satisfaction is our priority.

For support, please refer to the contact information provided with your purchase or visit the official LEDIARY website.