

## vidaXL 364747

# vidaXL Galvanized Steel Table Model 364747 User Manual

## INTRODUCTION

---

This manual provides essential information for the assembly, operation, and maintenance of your vidaXL Galvanized Steel Table, Model 364747. Designed for versatility, this table serves as an ideal accessory for oven smokers, BBQs, and various outdoor activities. Please read these instructions carefully before use to ensure safe and efficient operation.

## SETUP AND ASSEMBLY

---

The vidaXL Galvanized Steel Table requires assembly. Please ensure all components are present before beginning. Refer to the included hardware for proper fastening.

### Components Checklist:

- Top Shelf Panel
- Bottom Shelf Panel
- Leg Supports (4 pieces)
- Adjustable Feet (4 pieces)
- Assembly Screws and Nuts (quantity as per hardware pack)

### Assembly Steps:

1. Attach the four leg supports to the bottom shelf panel using the provided screws and nuts. Ensure all connections are secure but do not overtighten initially.
2. Secure the top shelf panel to the upper ends of the leg supports using the remaining screws and nuts.
3. Once both shelves are attached, carefully tighten all screws to ensure the table is stable.
4. Screw the adjustable feet into the bottom of each leg support.

5. Place the table on a level surface and adjust the black screws on the feet to stabilize the table, especially on uneven ground.



**Image:** Detail of a screw connection point on the galvanized steel table, illustrating how components are fastened together during assembly.



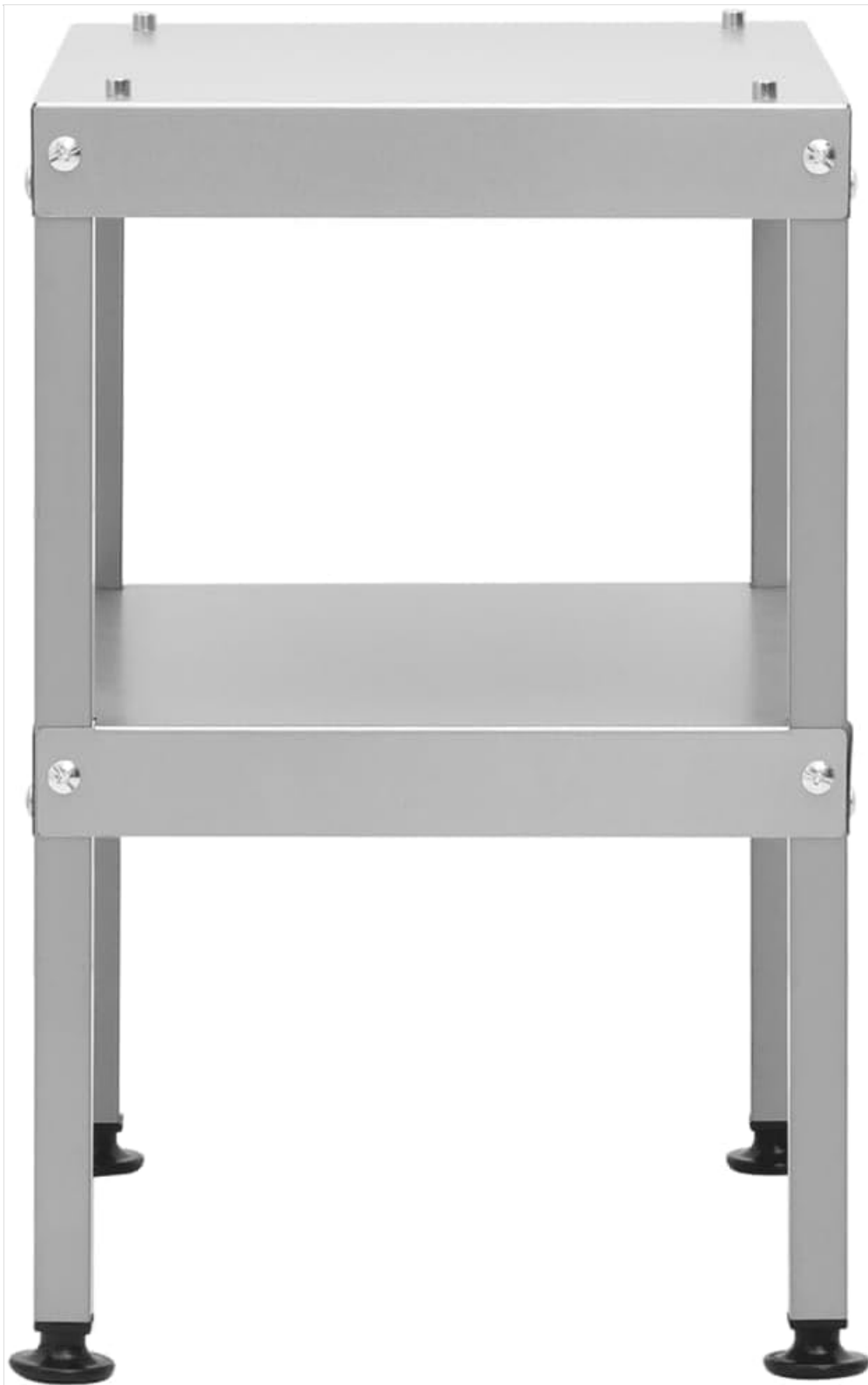
**Image:** The fully assembled vidaXL Galvanized Steel Table, showcasing its two-shelf design and adjustable feet. This image provides a visual reference for the completed product.

## OPERATING INSTRUCTIONS

The vidaXL Galvanized Steel Table is designed for versatile use in various home and outdoor settings. Its robust construction makes it suitable for supporting heavy items and for food preparation.

### Key Features and Usage:

- **Versatile Application:** Use as a pizza oven table, food preparation surface, BBQ grilling table, potting table, or general worktable.
- **Stable Support:** The sturdy tabletop provides reliable support for oven smokers and other equipment.
- **Storage:** Utilize the two open shelves to keep BBQ supplies, cooking ingredients, or tools organized and within easy reach.
- **Adjustable Stability:** Before placing items on the table, ensure it is stable. Adjust the black screws on the feet to compensate for uneven ground, preventing wobbling.



**Image:** A front view of the galvanized steel table, highlighting its two shelves and compact design, suitable for various uses.

## MAINTENANCE

---

Proper maintenance will extend the lifespan and preserve the appearance of your vidaXL Galvanized Steel Table.

- **Cleaning:** Wipe the table surfaces with a damp cloth and mild detergent. Avoid abrasive cleaners

or harsh chemicals that could damage the galvanized finish. Rinse thoroughly and dry completely to prevent water spots.

- **Inspection:** Periodically check all screws and connections to ensure they remain tight. Retighten if necessary to maintain stability.
- **Storage:** While galvanized steel offers protection against corrosion, storing the table in a dry, covered area when not in use for extended periods will further prolong its condition.

## TROUBLESHOOTING

- **Table is wobbly after assembly:**

*Ensure all screws are fully tightened. Adjust the black leveling feet on each leg to compensate for uneven floor surfaces. Rotate the feet clockwise or counter-clockwise until the table is stable.*

- **Missing parts during unboxing:**

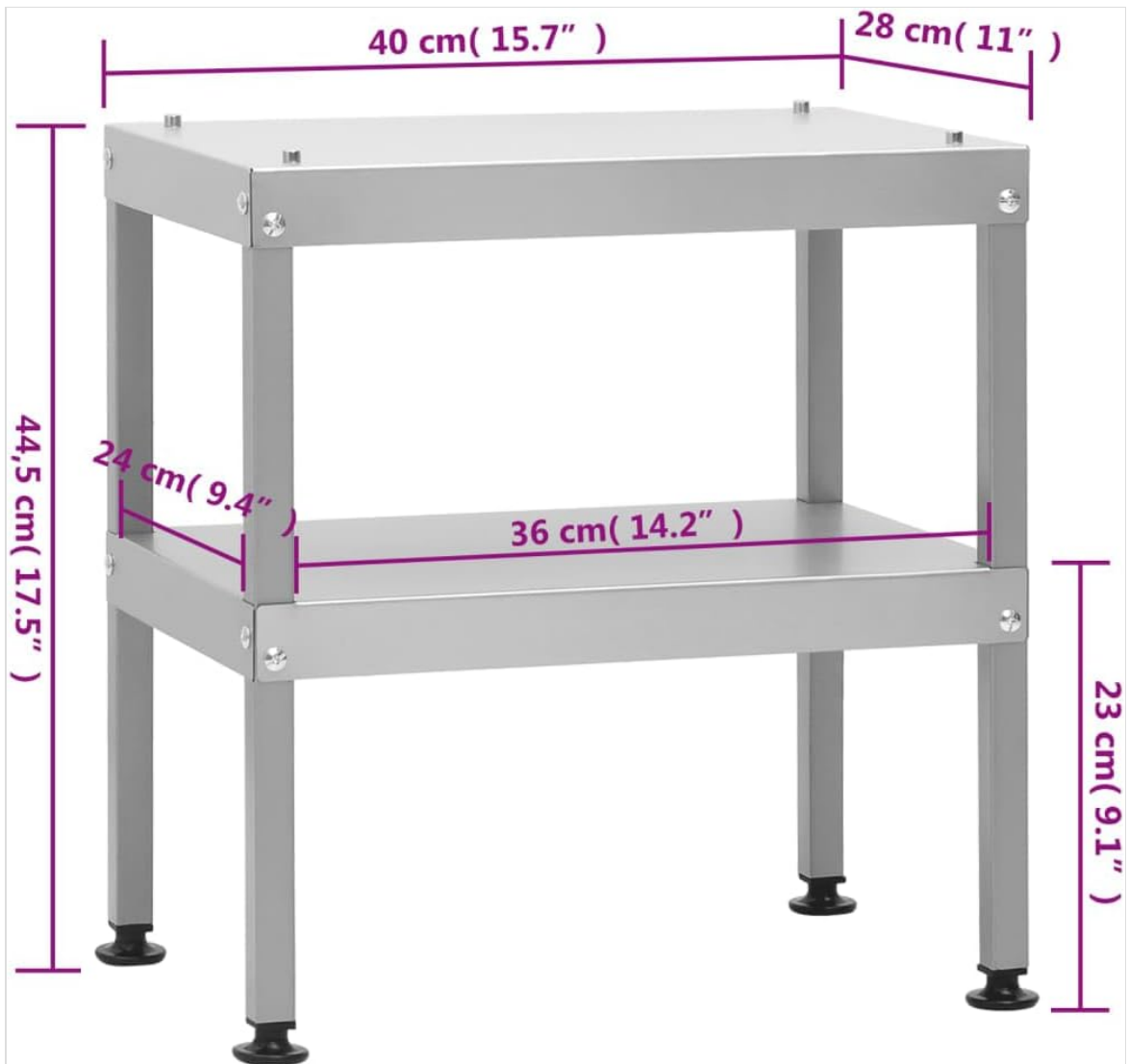
*Carefully check all packaging materials. If parts are genuinely missing, contact customer support with your purchase details.*

- **Difficulty aligning components during assembly:**

*Do not fully tighten any screws until all major components (shelves and legs) are loosely assembled. This allows for minor adjustments. Once everything is in place, gradually tighten all screws.*

## SPECIFICATIONS

<b>Product Dimensions</b>	15.75 x 11.02 x 17.52 inches (L x W x H)
<b>Item Weight</b>	6.75 pounds
<b>Material</b>	Galvanized Steel
<b>Model Number</b>	364747
<b>Assembly Required</b>	Yes



**Image:** A detailed diagram illustrating the dimensions of the galvanized steel table, including length, width, and height measurements in both centimeters and inches.

## WARRANTY INFORMATION

For specific warranty details regarding your vidaXL Galvanized Steel Table, please refer to the purchase documentation or contact your retailer. General warranty terms typically cover manufacturing defects under normal use conditions.

## CUSTOMER SUPPORT

If you have any questions, require assistance with assembly, or encounter issues not covered in this manual, please contact vidaXL customer support or your point of purchase. Have your model number (364747) and purchase date ready for faster service.

You can visit the official vidaXL store for more information: [vidaXL Store on Amazon](#)

