



Manuals.plus /

› Nisorpa /

› Nisorpa Foldable Tabletop Lectern User Manual - Model Nisorpa20230626001

Nisorpa Nisorpa20230626001

Nisorpa Foldable Tabletop Lectern User Manual

Model: Nisorpa20230626001

1. INTRODUCTION

Thank you for choosing the Nisorpa Foldable Tabletop Lectern. This manual provides essential information for the proper setup, operation, and maintenance of your lectern. Please read these instructions carefully before use to ensure optimal performance and longevity of the product.

This portable tabletop lectern is designed for various settings, including offices, classrooms, and presentations, offering a convenient and stable surface for notes, laptops, or books.

2. PRODUCT COMPONENTS

The Nisorpa Foldable Tabletop Lectern includes the following main components:

- Foldable Lectern Unit (MDF Wood with Melamine Surface)
- Integrated Bookstop/Baffle Plate
- Hinged Base for folding mechanism



Image 2.1: Detailed view highlighting the MDF material, melamine surface, 132 lbs (60 kg) load capacity, and the foldable hinged base.

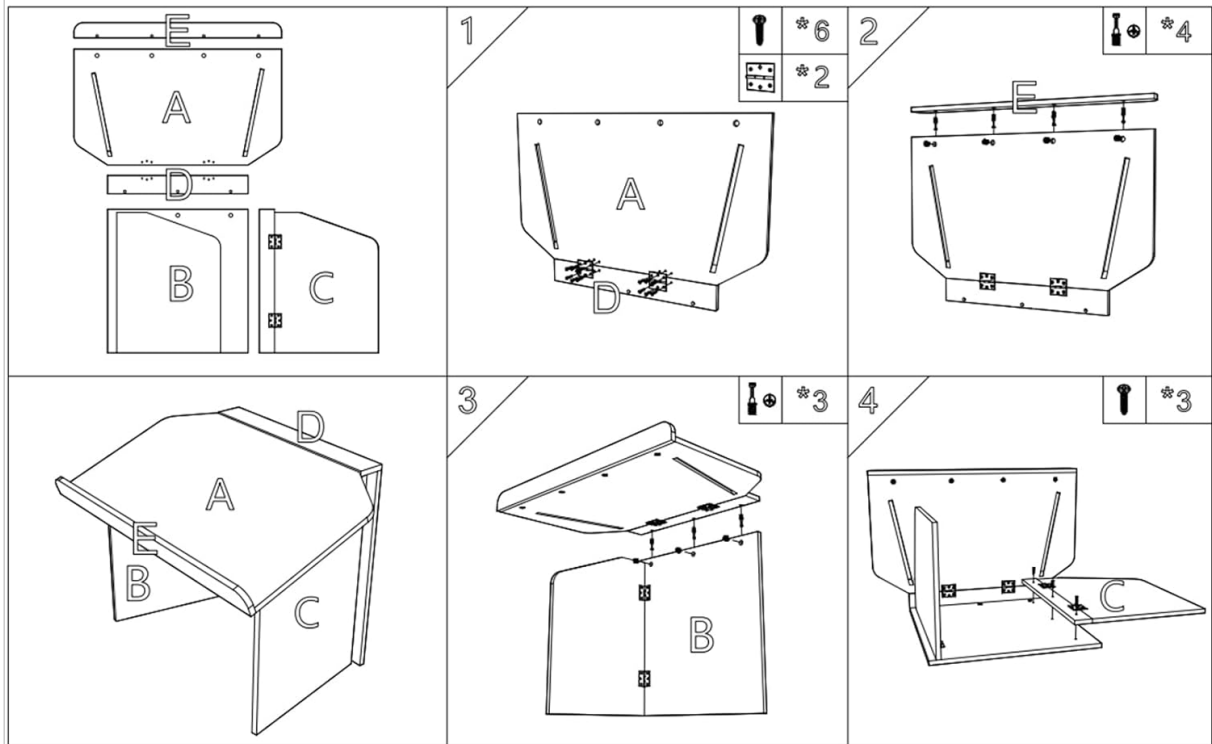
3. SETUP INSTRUCTIONS

The Nisorpa Foldable Tabletop Lectern is designed for quick and easy setup. No complex assembly is required.

3.1 Unfolding the Lectern

1. Place the folded lectern on a flat, stable surface.
2. Gently unfold the side panels outwards until they form a stable base. The hinged mechanism will guide the panels into position.
3. Ensure all panels are fully extended and locked into place for stability.

FOLDING PODIUM



If you have any doubts, please feel free to contact: service@uyoyous.com
We will answer your questions and clarify your doubts as soon as possible

Image 3.1: Visual guide for unfolding the lectern.

3.2 Folding for Storage and Portability

1. Clear all items from the lectern surface.
2. Gently push the side panels inwards, allowing the hinged base to collapse.
3. Fold the unit completely flat for compact storage or transport.

Folding and Portable

Excellent for traveling speakers or presentations



Image 3.2: The lectern in its folded and unfolded configurations, illustrating its portable design.

4. OPERATING INSTRUCTIONS

Once set up, the lectern provides a stable and ergonomic surface for various uses.

4.1 Using the Slanted Surface

The lectern features a slanted top surface designed to provide a comfortable viewing angle for reading notes, using a laptop, or holding a book. The integrated baffle plate (lip barrier) at the bottom edge prevents items from sliding off.

Slanted Surface

Slanted Surface helps to create a comfortable view angle

Baffle Plate Boards

Baffle plate boards will prevent papers books and writing utensils from sliding



Image 4.1: The slanted surface and baffle plate in use with a laptop.

4.2 Placement and Stability

Place the lectern on a sturdy table or desk. Ensure the surface is level to maintain stability. The lectern can support items up to 132 lbs (60 kg).

can also be used as pulpits for churches, presentation podium, book holder, reading stand, lectern desk.



Image 4.2: The lectern in a classroom environment, suitable for presentations.



Group Studies



Image 4.3: The lectern facilitating group studies or meetings.

5. MAINTENANCE

To ensure the longevity and appearance of your Nisorpa Foldable Tabletop Lectern, follow these maintenance guidelines:

- **Cleaning:** Wipe the surface with a soft, damp cloth. Avoid abrasive cleaners or harsh chemicals that could damage the melamine finish.
- **Storage:** When not in use, fold the lectern and store it in a dry place away from direct sunlight or extreme temperatures.
- **Inspection:** Periodically check the hinges and connections to ensure they are secure.

6. TROUBLESHOOTING

If you encounter any issues with your lectern, consider the following:

- **Instability:** Ensure the lectern is fully unfolded and placed on a flat, level surface. Check that the hinged panels are securely in position.
- **Difficulty Folding/Unfolding:** Verify that no obstructions are present in the hinge mechanism. Apply

gentle, even pressure when folding or unfolding. Do not force the mechanism.

For issues not resolved by these steps, please contact customer support.

7. SPECIFICATIONS

Feature	Detail
Brand	Nisorpa
Model Number	Nisorpa20230626001
Color	Brown
Material	Engineered Wood, Wood (MDF with Melamine Surface)
Product Dimensions (Unfolded)	68 cm (L) x 38 cm (W) x 47 cm (H) / 26.77 inch x 14.96 inch x 18.5 inch
Item Weight	7.26 kg
Special Features	Foldable, Portable
Assembly Required	No
Max Load Bearing	132 lbs / 60 kg



Image 7.1: Detailed dimensions of the Nisorpa Foldable Tabletop Lectern.

8. WARRANTY AND SUPPORT

For warranty information or technical support, please refer to the purchase documentation or contact the retailer where the product was acquired. You may also visit the Nisorpa official website for further assistance.

Manufacturer: Nisorpa