

EPLZON EP-16.5V-1810mA

EPLZON 16.5V 1810mA Plug-in Transformer User Manual

Model: EP-16.5V-1810mA

1. INTRODUCTION

This manual provides instructions for the installation, operation, and maintenance of your EPLZON 16.5V 1810mA Plug-in Transformer. This device is designed to provide stable power for various low-voltage applications, including smart thermostats and video doorbells, replacing or upgrading underpowered transformers.

The transformer features an auto-resetting PTC (Positive Temperature Coefficient) fuse for enhanced safety and a green LED power indicator for easy status monitoring.

SOLVE THESE PROBLEMS

- ✓ Thermostat power difference.
- ✓ Insufficient power supply.



Image 1.1: The EPLZON 16.5V 1810mA Plug-in Transformer, designed to address thermostat power differences and insufficient power supply for devices like video doorbells.

2. SAFETY INFORMATION

Please read and understand all safety instructions before installing or operating this product. Failure to follow these instructions may result in electric shock, fire, or other hazards.

- **Electrical Safety:** Always disconnect power at the circuit breaker before performing any wiring or installation.
- **Indoor Use Only:** This transformer is designed for indoor use in dry locations. Do not expose to moisture or extreme temperatures.
- **Proper Voltage:** Ensure your electrical outlet provides 120 VAC, 60Hz. Connecting to an incorrect voltage source can damage the transformer and connected devices.
- **Overload Protection:** The transformer includes an auto-resetting PTC fuse for overload protection. Do not attempt to bypass or modify this safety feature.

- **Professional Installation:** If you are unsure about any part of the installation process, consult a qualified electrician.

3. PACKAGE CONTENTS

Verify that all items are present in the package:

- 1 x EPLZON 16.5V 1810mA Plug-in Thermostat and Doorbell Transformer

4. SPECIFICATIONS

Feature	Specification
Model Number	EP-16.5V-1810mA
Input Voltage	120 VAC, 60Hz
Output Voltage	16.5V AC
Output Current	1810 mA
Power Rating	30 VA
No-load Output Voltage	26.6V
Safety Features	Auto-resetting PTC Fuse, LED Green Power Indicator
Terminals	Positive/Negative/Ground Screw Terminals
Mounting Type	Wall Mount (Plug-in)
Item Weight	8.8 ounces (approx. 249 grams)
Package Dimensions	4.13 x 3.35 x 2.36 inches
Certifications	CSA, ETL, FCC, UL

PRODUCT SIZE



Image 4.1: Product dimensions of the EPLZON 16.5V 1810mA Plug-in Transformer.

5. SETUP AND INSTALLATION

Follow these steps to install your EPLZON 16.5V 1810mA Plug-in Transformer:

1. **Disconnect Power:** Before beginning any wiring, turn off the power to your thermostat or doorbell system at the main circuit breaker.
2. **Mount the Transformer:** Plug the transformer into a standard 120 VAC wall outlet. The transformer is designed to be wall-mounted and includes a screw for securing it to the outlet cover plate, ensuring a stable connection.
3. **Prepare Wiring:** The transformer features screw terminals for connecting your device's wiring. You can cut the connecting cable to the desired length for a neat installation.
4. **Connect to Thermostat (Example):**
 - Identify the R (power) and C (common) terminals on your thermostat.
 - Connect one wire from the transformer to the 'R' terminal of your thermostat.

- Connect the other wire from the transformer to the 'C' terminal of your thermostat.
- Ensure all connections are secure.

5. **Connect to Doorbell (Example):**

- Refer to your doorbell's specific wiring diagram. Most video doorbells require two wires for power.
- Connect the two wires from the transformer to the power input terminals of your doorbell.
- Ensure all connections are secure.

6. **Restore Power:** Once all connections are secure and verified, restore power at the circuit breaker. The green LED indicator on the transformer should illuminate.

SPECIFICATIONS

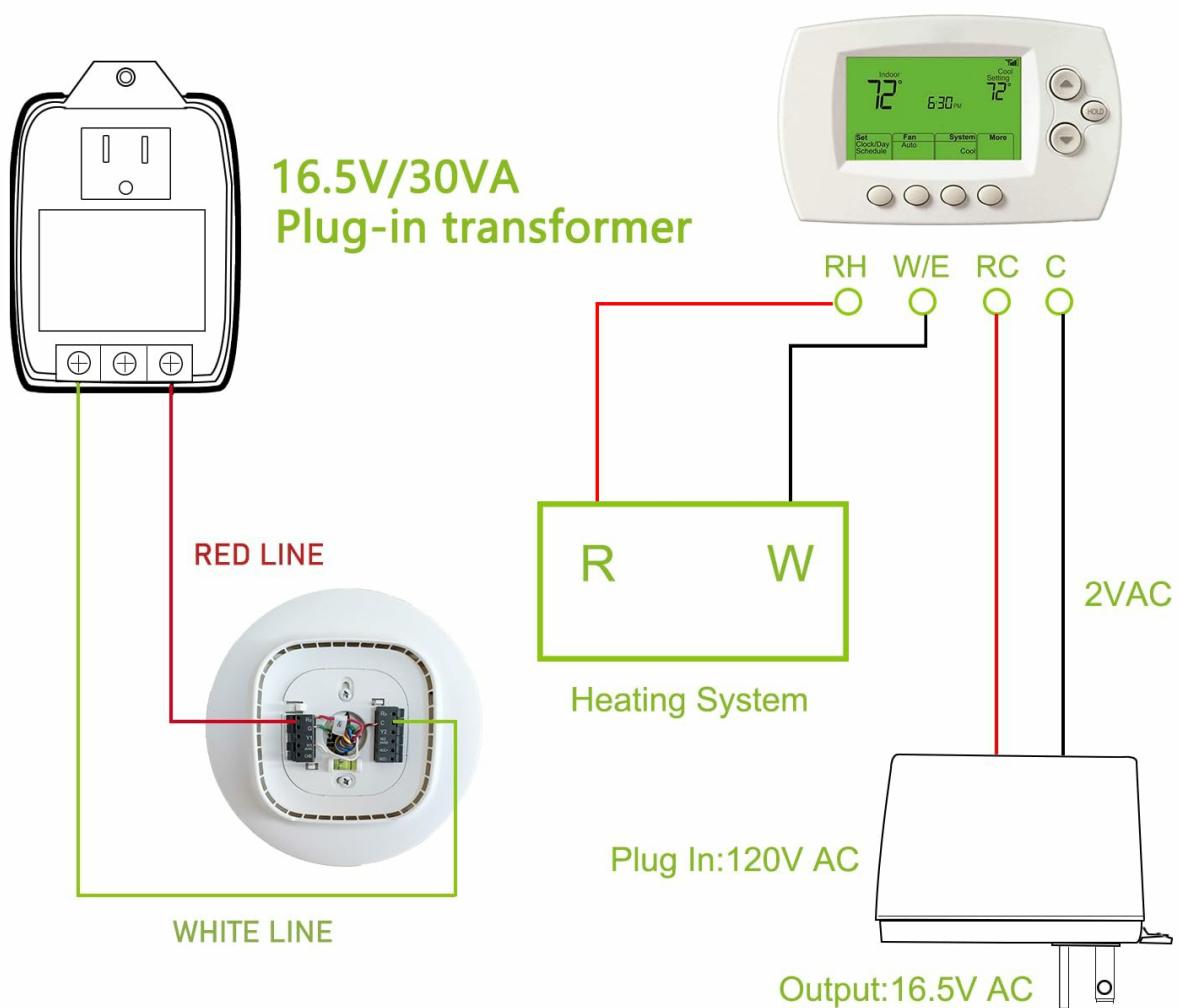


Image 5.1: Example wiring diagram for connecting the transformer to a thermostat and heating system.



Image 5.2: The transformer connected to a video doorbell, demonstrating ease of installation with screw terminals.

6. OPERATING INSTRUCTIONS

Once properly installed and connected, the EPLZON 16.5V 1810mA Plug-in Transformer operates continuously to provide stable 16.5V AC power to your connected devices.

- **Power Indicator:** The green LED on the transformer indicates that it is receiving input power and is actively supplying output voltage. If the LED is off, check the wall outlet and circuit breaker.
- **Continuous Power:** The transformer provides constant power, eliminating issues related to underpowered devices.

7. MAINTENANCE

The EPLZON 16.5V 1810mA Plug-in Transformer requires minimal maintenance to ensure optimal performance

and longevity.

- **Cleaning:** Periodically wipe the exterior of the transformer with a dry, soft cloth to remove dust. Do not use liquid cleaners or solvents.
- **Connection Check:** Occasionally inspect the wiring connections to ensure they remain secure and free from corrosion.
- **Ventilation:** Ensure the transformer is not covered or placed in an enclosed space that could impede airflow, as this may lead to overheating.

8. TROUBLESHOOTING

If you encounter issues with your transformer, refer to the following troubleshooting guide:

Problem	Possible Cause	Solution
Transformer LED is off, no power to device.	No power from wall outlet, loose connection, internal fault.	Check wall outlet with another device. Ensure transformer is fully plugged in. Verify circuit breaker is on. Check wiring connections. If issues persist, the transformer may be faulty.
Device (thermostat/doorbell) is not functioning correctly or intermittently.	Incorrect wiring, device incompatibility, insufficient power (unlikely with this transformer), faulty device.	Review wiring connections according to your device's manual and Section 5. Confirm device compatibility (see Section 9). Ensure the transformer's LED is on. Test the device with its original power source if possible.
Transformer feels warm during operation.	Normal operation, excessive load, poor ventilation.	A slight warmth is normal. Ensure the transformer is not covered and has adequate airflow. If it feels excessively hot, disconnect immediately and contact support. Ensure the connected device's power requirements do not exceed the transformer's capacity.

9. COMPATIBILITY

The EPLZON 16.5V 1810mA Plug-in Transformer is compatible with a wide range of smart home devices that require 16.5V AC power. This includes, but is not limited to:

- **Smart Thermostats:**
 - Nest Smart Thermostats
 - Ecobee Smart Thermostats
 - Sensi Smart Thermostats
 - Honeywell Smart Thermostats
- **Video Doorbells:**
 - Ring Video Doorbell (all versions)

- Nest Hello Doorbell
- Skybell Doorbell
- Other devices requiring constant 16.5V AC power for operation.

COMPATIBLE WITH



THERMOSTAT



NEST SMART THERMOSTATS



HONEYWELL SMART THERMOSTATS



SENSI SMART THERMOSTATS



ECOBEE SMART THERMOSTATS

DOORBELL



NEST HELLO DOORBELL



VIDEO DOORBELL PRO



VIDEO DOORBELL



VIDEO DOORBELL 2

Image 9.1: Visual representation of compatible thermostats and doorbells.

10. WARRANTY AND SUPPORT

For warranty information or technical support, please contact the seller or manufacturer directly through your purchase platform. Keep your purchase receipt or order number handy for faster service.

