

[Manuals.plus](#) /

> [HAMITOR](#) /

> HAMITOR Corner Shower Caddy Tension Pole Instruction Manual (Model: corner shower caddy pole)

HAMITOR corner shower caddy pole

HAMITOR Corner Shower Caddy Tension Pole Instruction Manual

Model: corner shower caddy pole

1. INTRODUCTION

This manual provides comprehensive instructions for the HAMITOR Corner Shower Caddy Tension Pole. This 4-tier rustproof bathroom organizer is designed for efficient storage in various spaces, including showers and bathtubs. Please read these instructions carefully before proceeding with installation and use to ensure proper function and safety.



Image 1.1: The HAMITOR Corner Shower Caddy Tension Pole in a bathroom setting, showcasing its four shelves filled with various bath and shower items, including shampoo bottles, soaps, and a loofah. A towel is draped over the bottom shelf's bar.

2. SAFETY INFORMATION

- Ensure the tension pole is securely installed and stable between the floor and ceiling before placing any items on the shelves.
- Do not exceed the maximum weight capacity of 9 pounds per shelf. Overloading can lead to instability and potential collapse.
- Regularly check the stability of the caddy, especially after adjusting shelf heights or relocating the unit.
- This shower caddy is designed for flat ceilings and floors. Do not install on sloped or uneven surfaces.
- Keep small children away from the caddy during installation and ensure it is out of reach to prevent accidental pulling or tipping.

3. PACKAGE CONTENTS

Verify that all components are present before beginning installation:

- 1 x Toothbrush Box
- 4 x Patented Clip Buckles
- 4 x Removable Hooks
- 4 x Rustproof Shelves (various sizes)
- 8 x Stainless Steel Tension Pole Sections

4. SPECIFICATIONS

Feature	Detail
Material	Stainless Steel
Color	Black
Adjustable Height Range	47 to 121 inches (119 cm to 307 cm)
Product Dimensions (Max)	8.4"D x 11.4"W x 124"H (21.3 cm D x 29 cm W x 315 cm H)
Number of Shelves	4
Capacity per Shelf	Up to 9 pounds (4.1 kg)
Special Features	Adjustable, Rust Resistant, Scratchproof, Quick Installation



Premium **Stainless** Steel Material

Waterproof & Rustproof & Fast-draining

Image 4.1: A close-up view of a shower caddy shelf, demonstrating its premium stainless steel material and hollow design for effective water drainage. The image emphasizes its waterproof and rustproof properties.

5. SETUP AND INSTALLATION

The HAMITOR Corner Shower Caddy features a no-drilling, quick installation design. Follow these steps for assembly:

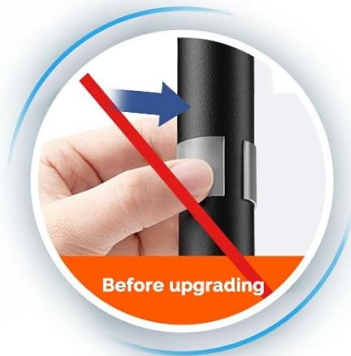
1. **Assemble the Pole:** Connect the stainless steel tension pole sections. The integrated telescoping pole allows for easy height adjustment.
2. **Adjust Pole Height:** Extend the pole to fit your desired space, ensuring it is firmly tensioned between the floor and ceiling. The caddy is adjustable from 47 to 121 inches.
3. **Attach Clip Buckles:** Position the patented clip buckles around the pole at your preferred shelf heights. These buckles secure the shelves and prevent slipping.
4. **Install Shelves:** Slide the rustproof shelves onto the attached clip buckles. Ensure each shelf is level and securely seated.
5. **Add Accessories:** Attach the removable hooks and the toothbrush box to the shelves or pole as desired.

Quick Installation & Adjustment

Buckle design helps you save installation time



Patented
Buckle Design



Silicone Pad,
Hard to Adjust

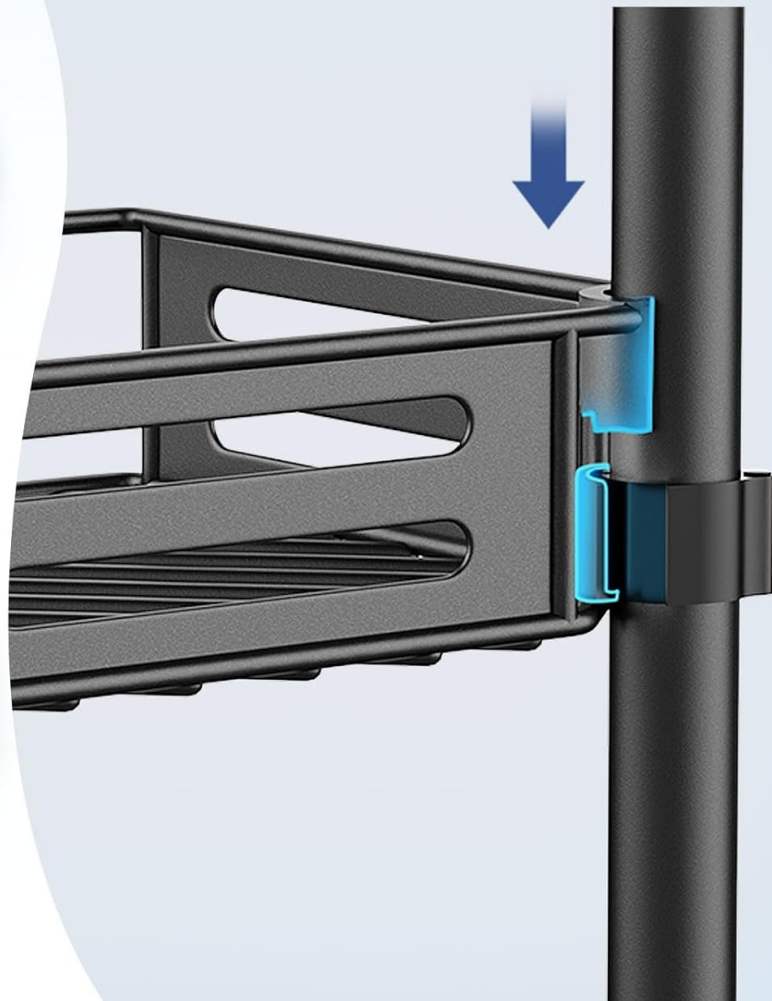


Image 5.1: A visual comparison of the patented buckle design for quick installation and adjustment (After upgrade) versus a silicone pad design (Before upgrading) which was harder to adjust. The buckle design simplifies height changes.

Free Installation



Image 5.2: An illustration detailing the 'Free Installation' process, contrasting the older 1.0 method (difficult to adjust, prone to sliding) with the upgraded 2.0 method, which offers easy height adjustment, free installation, and enhanced stability.

Fit Any Height Between 47-121 inches

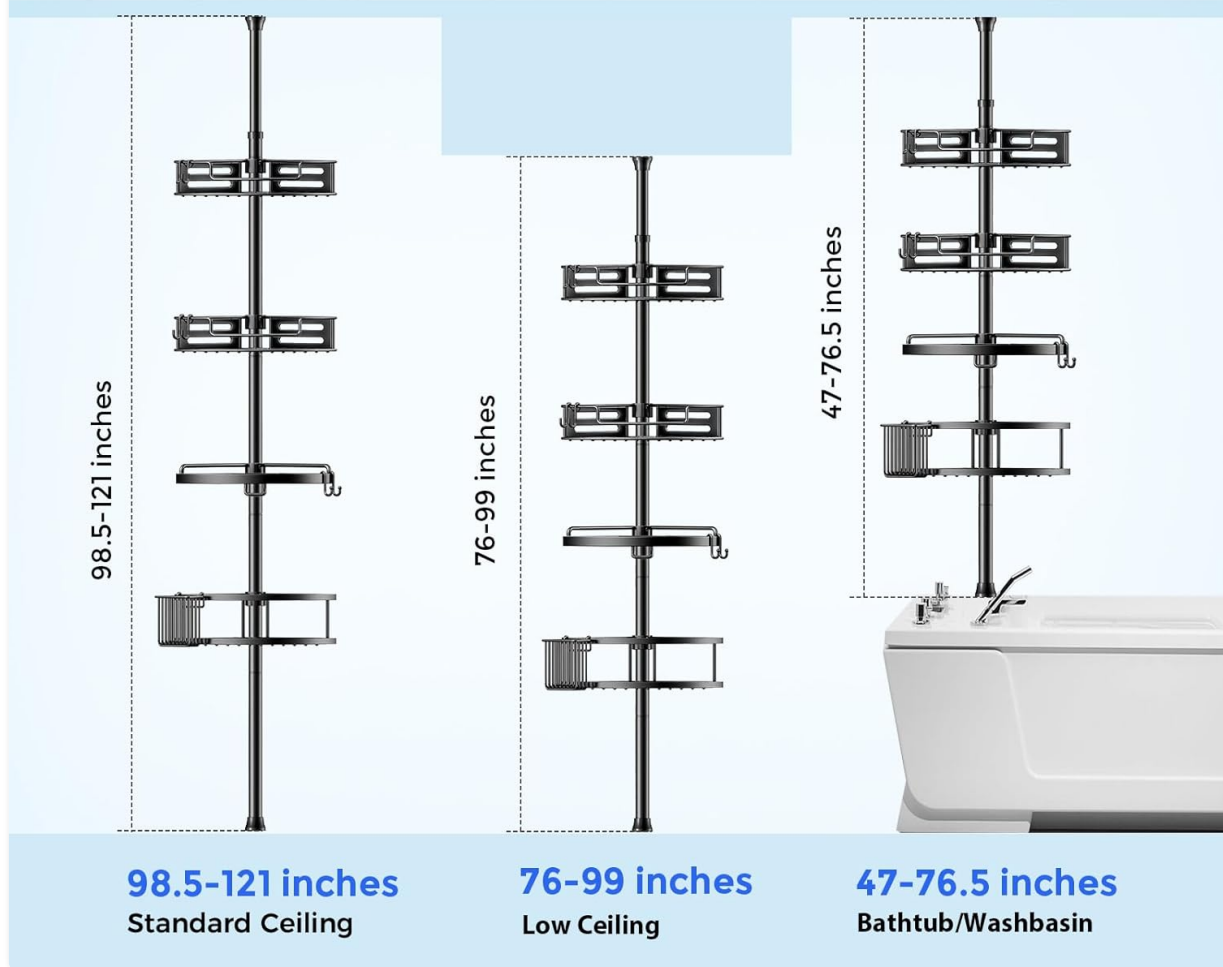


Image 5.3: This image illustrates the versatility of the shower caddy, showing how it can fit various heights: 98.5-121 inches for standard ceilings, 76-99 inches for low ceilings, and 47-76.5 inches for bathtub or washbasin areas.

6. OPERATING INSTRUCTIONS

Once installed, the HAMITOR Corner Shower Caddy provides organized storage for your bathroom essentials:

- **Shelf Usage:** Place shampoo, conditioner, body wash, soaps, and other bath products on the four rustproof shelves. The deep and shallow baskets accommodate various bottle sizes.
- **Accessory Hooks:** Utilize the removable hooks for hanging razors, loofahs, washcloths, or sponges.
- **Toothbrush Holder:** Use the dedicated toothbrush box for storing toothbrushes and toothpaste.
- **Towel Bar:** The bottom shelf includes a bar suitable for hanging towels.
- **Adjusting Shelf Height:** To adjust a shelf's height, simply unclip it from the buckle, reposition the buckle on the pole, and re-attach the shelf.



Image 6.1: This image highlights key design features: shelves are easy to remove for cleaning, an inverted port design prevents items from falling, a flat basket is ideal for small items like jewelry or soap, and a dedicated hole is provided for razor storage.

7. MAINTENANCE

To ensure the longevity and appearance of your shower caddy, follow these maintenance guidelines:

- **Regular Cleaning:** Clean the caddy regularly with mild soap and water. Avoid abrasive cleaners or harsh chemicals that could damage the finish.
- **Drying:** After cleaning, wipe the caddy dry to prevent water spots and mineral buildup. The hollow design of the baskets promotes good ventilation and drainage, reducing moisture accumulation.
- **Inspection:** Periodically inspect the pole and shelves for any signs of wear, damage, or rust. Although made from rustproof stainless steel, proper care helps maintain its condition.

8. TROUBLESHOOTING

If you encounter any issues with your HAMITOR Corner Shower Caddy, refer to the following common solutions:

- **Caddy is unstable or wobbles:**

Solution: Ensure the tension pole is fully extended and securely wedged between the floor and ceiling. Verify that the pole is vertical and not installed on a sloped surface. Re-adjust the tension if necessary.

- **Shelves slide down the pole:**

Solution: Confirm that the patented clip buckles are tightly fastened around the pole and that the shelves are correctly seated within the buckles. The upgraded tray-tighten design should prevent slipping when properly installed.

- **Items fall off shelves:**

Solution: Ensure items are placed within the shelf boundaries. The deep baskets and safety bar design are intended to prevent items from falling. Avoid overloading shelves beyond the 9-pound capacity.

9. WARRANTY AND SUPPORT

The HAMITOR Corner Shower Caddy Tension Pole comes with a **24-month warranty**. For warranty claims, technical support, or any questions not covered in this manual, please contact HAMITOR customer service through your purchase platform or the official HAMITOR website. Please have your purchase details and model number (corner shower caddy pole) ready when contacting support.