



Manuals.plus /

› Perlegear /

› Perlegear PGTVMC16 Rolling TV Stand User Manual

Perlegear PGTVMC16

Perlegear PGTVMC16 Rolling TV Stand User Manual

Model: PGTVMC16

INTRODUCTION

This manual provides detailed instructions for the assembly, operation, and maintenance of your Perlegear PGTVMC16 Rolling TV Stand. Please read all instructions carefully before assembly and use to ensure safe and correct operation. Retain this manual for future reference.

Safety Information

- Ensure all components are present and undamaged before assembly. Do not use if any parts are missing or defective.
- Do not exceed the maximum weight capacity of **88 lbs (40 kg)**.
- This stand is designed for TVs between **23 and 60 inches**.
- Verify your TV's VESA pattern is compatible (Max VESA: 400x400mm, Min VESA: 100x100mm).
- Always lock the wheels when the stand is in a stationary position to prevent accidental movement.
- Assemble the stand on a soft, clean surface to prevent scratches.
- Keep children and pets away during assembly.

PACKAGE CONTENTS

Please check the package to ensure you have all the necessary parts. If any parts are missing or damaged, contact customer support.

Note: A detailed list of hardware and components is typically included in the physical instruction manual. Refer to that document for specific part identifiers.



Image: The Perlegear PGTVMC16 Rolling TV Stand, fully assembled, supporting a television.

SETUP AND ASSEMBLY

Follow these steps to assemble your Perlegear PGTVMC16 Rolling TV Stand. It is recommended to have a second person assist with mounting the TV.

1. **Attach Wheels to Base:** Secure the four locking wheels to the X-shaped base using the provided hardware. Ensure they are tightened securely.
2. **Assemble Vertical Column:** Connect the sections of the vertical column. The design features a double-layer reinforcement and screwless connection for enhanced stability.



Image: A person assembling the vertical column, illustrating the easy installation process.

3. **Attach Column to Base:** Secure the assembled vertical column to the X-shaped base.
4. **Install TV Bracket:** Attach the TV mounting bracket to the top of the vertical column.
5. **Attach Brackets to TV:** Secure the two vertical TV brackets to the back of your television using the appropriate screws and spacers for your TV model. Ensure the brackets are level and centered.
6. **Mount TV to Stand:** Carefully lift the TV and hook the attached brackets onto the TV mounting bracket on the stand. Ensure the TV is securely seated. Tighten any safety screws or locking mechanisms on the brackets to prevent accidental dislodgement.

OPERATING INSTRUCTIONS

Adjusting Height

The Perlegear PGTVMC16 offers 3 levels of height adjustment, ranging from 56.1 to 60.4 inches. To adjust the height:

1. Loosen the height adjustment screws on the vertical column.
2. Carefully raise or lower the TV to the desired height. It is recommended to have assistance when adjusting the height of a mounted TV.
3. Retighten the height adjustment screws firmly to secure the TV at the new position.

Perfect Fit for Home & Office

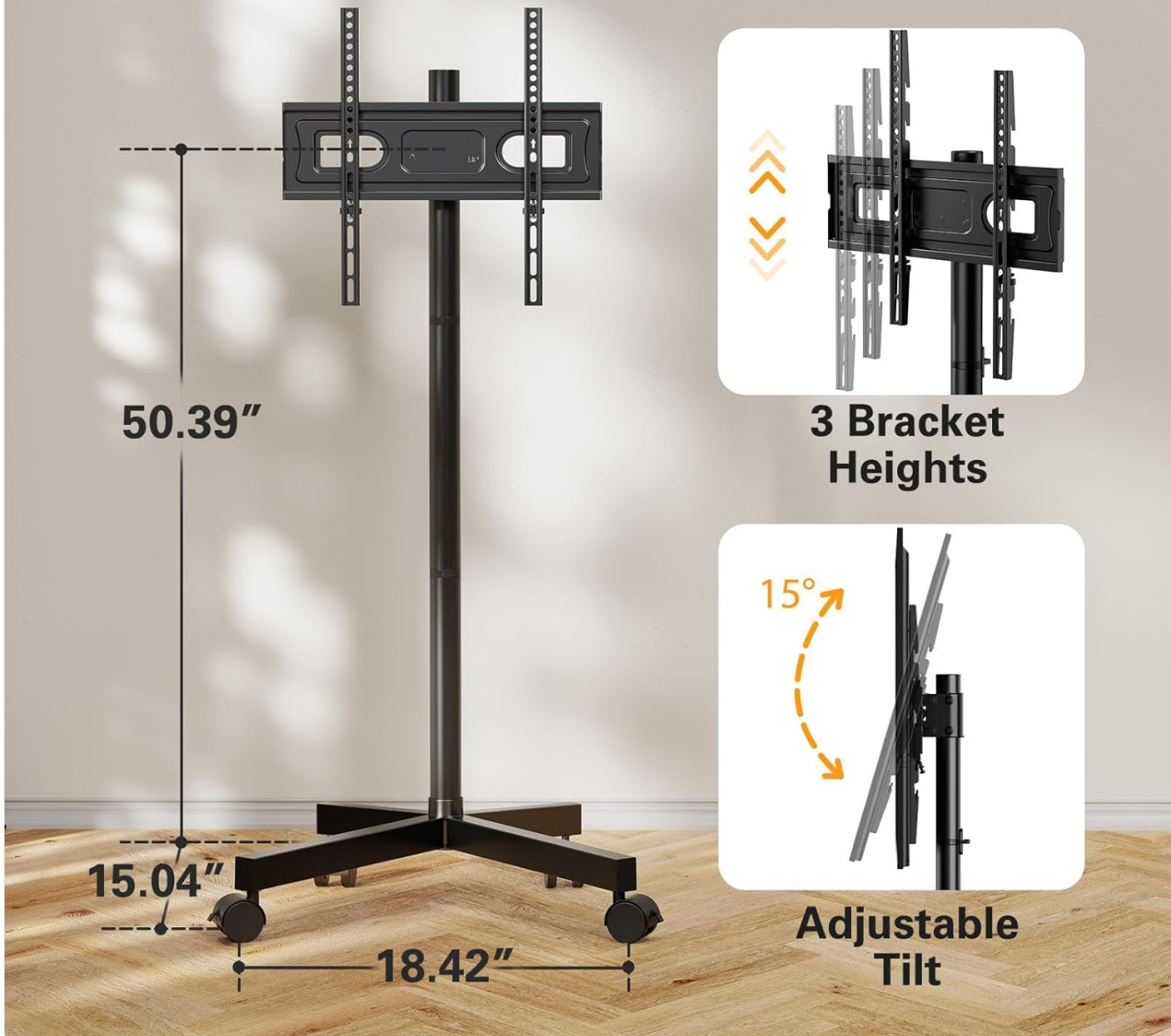


Image: A diagram illustrating the stand's dimensions, 3 bracket height options, and 15-degree adjustable tilt feature.

Adjusting Tilt

The TV stand features a tilting mechanism allowing adjustment up to 15 degrees. To adjust the tilt:

1. Locate the tilt adjustment knobs or screws on the TV mounting bracket.
2. Loosen them slightly.
3. Gently tilt the TV to your preferred viewing angle.
4. Tighten the knobs or screws to lock the tilt in place.

Convenient Collaboration

Taller column and **15° tilt**



Image: Two individuals interacting with a TV mounted on the stand, demonstrating the 15-degree tilt feature for collaborative viewing.

Moving the Stand

The stand is equipped with locking wheels for portability.

- To move the stand, unlock all four wheels.
- Gently push or pull the stand to its new location.
- Once in position, lock all four wheels to secure the stand and prevent accidental movement.



Rolls Smoothly on Carpets

Image: A close-up view of the stand's wheels, highlighting their smooth rolling capability on carpeted surfaces.

Portrait or Landscape Orientation

The TV can be installed in either portrait or landscape orientation, offering flexibility for various display needs.

Portrait or Landscape Options



Image: Demonstrates the versatility of the stand, allowing for both portrait and landscape TV orientations for different activities.

MAINTENANCE

- **Cleaning:** Wipe the stand with a soft, dry cloth. Avoid abrasive cleaners or solvents that could damage the finish.
- **Hardware Check:** Periodically check all screws and bolts to ensure they remain tight. Retighten if necessary.
- **Wheel Maintenance:** Keep the wheels free of debris to ensure smooth movement.

TROUBLESHOOTING

- **Stand is wobbly:** Ensure all screws and bolts are securely tightened. Check that the base is on a flat, level surface.
- **TV is not level:** The stand allows for a $\pm 3^\circ$ leveling adjustment. Refer to the assembly instructions for how to adjust the leveling screws on the TV bracket.
- **Wheels not rolling smoothly:** Check for debris caught in the wheels. Ensure the locking mechanisms are fully disengaged.
- **Difficulty adjusting height/tilt:** Loosen adjustment screws sufficiently before attempting to move the TV. Do not force adjustments.

SPECIFICATIONS

| Feature | Specification |
|-------------------------|---|
| Model Number | PGTVMC16 |
| Compatible TV Sizes | 23 - 60 inches |
| Weight Capacity | Up to 88 lbs (40 kg) |
| VESA Compatibility | Max: 400x400mm, Min: 100x100mm (400x400/400x300/400x200/300x300/300x200/200x300/200x200/200x100/100x200/100x100) |
| Height Adjustment Range | 56.1 to 60.4 inches (3 levels) |
| Tilt Angle | ±15 degrees |
| Movement Type | Tilt, Rolling |
| Material | Metal |
| Product Dimensions | 17.48 x 13.44 x 4.71 inches (packaging) |
| Item Weight | 13.11 pounds |

Watch TV Anywhere



Image: Visual representation of the stand's compatibility with TV sizes (23-60 inches), maximum weight capacity (88 lbs), and VESA mounting patterns.

WARRANTY INFORMATION

Perlegear products are manufactured with quality and durability in mind. For specific warranty details, including coverage period and terms, please refer to the warranty card included with your product or visit the official Perlegear website. Keep your proof of purchase for warranty claims.

CUSTOMER SUPPORT

If you have any questions, require assistance with assembly, or encounter any issues with your Perlegear PGTVMC16 Rolling TV Stand, please contact Perlegear customer support. Contact information can typically be found on the product packaging, the official Perlegear website, or the warranty card.

We are committed to providing excellent support and ensuring your satisfaction.