



[Manuals.plus](#) /

› [Topeakmart](#) /

› Topeakmart Twin Metal Bed Frame with Curved Design Headboard and Footboard Instruction Manual

Topeakmart B0C7YY57B3

Topeakmart Twin Metal Bed Frame Instruction Manual

Model: B0C7YY57B3

INTRODUCTION

This manual provides detailed instructions for the assembly, operation, and maintenance of your Topeakmart Twin Metal Bed Frame with Curved Design Headboard and Footboard. Please read all instructions carefully before beginning assembly and retain this manual for future reference.



Image: The fully assembled Topeakmart Twin Metal Bed Frame in Antique Gold, shown in a bedroom setting with bedding and a nightstand.

IMPORTANT SAFETY INFORMATION

- **Maximum Weight Capacity:** Do not exceed the maximum weight capacity of 450 lb (204 kg). Exceeding this limit may result in structural failure and injury.
- **Assembly:** Follow all assembly instructions carefully. Improper assembly can lead to instability and potential hazards.
- **Sharp Edges:** Exercise caution during assembly and use to avoid contact with any sharp edges.
- **Children:** Keep small parts away from children during assembly.

SETUP AND ASSEMBLY

All necessary parts, tools, and easy-to-follow instructions are included in one efficiently packed box. We recommend assembling the bed frame with two people.

Included Components:

- Headboard

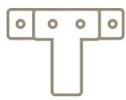
- Footboard
- Side Rails
- Steel Slats
- Support Legs
- Hardware Pack (bolts, washers, nuts, L-shaped plates)
- Assembly Tools (e.g., Allen wrench)

Assembly Steps:

1. **Unpack and Identify Parts:** Carefully unpack all components and lay them out. Compare them with the parts list in the included installation manual to ensure all pieces are present.
2. **Attach Headboard and Footboard:** Connect the side rails to the headboard and footboard using the provided hardware. Ensure all connections are secure but do not fully tighten bolts until the frame is fully assembled.
3. **Install Support Legs:** Attach the central support legs to the frame as indicated in the manual.
4. **Secure Slats:** Place the steel slats onto the designated supports on the side rails. Ensure each slat is properly seated and secured. The slats are designed to be spaced approximately 5.1-5.5 inches apart.



Image: Close-up showing how to align the metal pipe with the notch and press to fix during slat installation.



Fastened with L-shaped plates for a more stable structure

Image: Illustration of L-shaped plates used to fasten components, enhancing the stability of the bed frame structure.

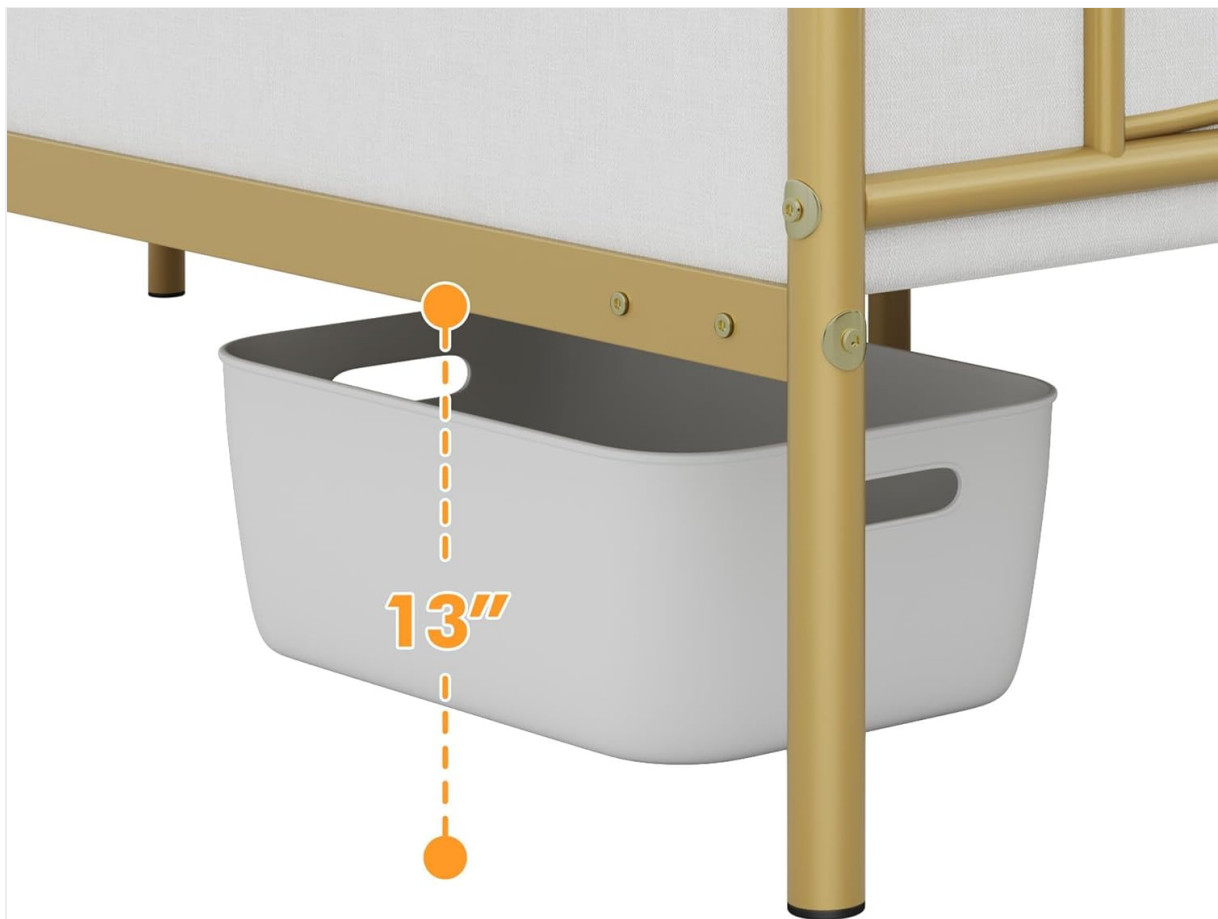
Final Tightening: Once all components are in place, go back and fully tighten all bolts and screws. Do not overtighten.

An assembly video may be available on the product's online listing or the manufacturer's website for a more direct and clearer demonstration.

OPERATING INSTRUCTIONS

This bed frame is designed for use with a twin-sized mattress (75" L x 39" W). No box spring is required due to the integrated steel slat support system.

- **Mattress Placement:** Carefully place your twin mattress directly onto the steel slats.
- **Weight Distribution:** Ensure weight is distributed evenly across the bed frame. Avoid concentrating heavy loads in one small area.
- **Underbed Storage:** The frame provides approximately 13 inches of ground clearance, offering ample space for underbed storage containers.



13" OF GROUND CLEARANCE

Make full use of the space under the bed for storage.

Image: A view of the 13-inch ground clearance under the bed frame, demonstrating the available space for storage, with a basket placed underneath.

MAINTENANCE

- **Cleaning:** Wipe the metal frame with a soft, damp cloth. Avoid using harsh chemicals or abrasive cleaners, which can damage the powder-coated finish.
- **Regular Inspection:** Periodically check all bolts and connections to ensure they remain tight. Retighten if necessary to maintain stability and prevent squeaking.
- **Under-bed Cleaning:** The 12.6-inch ground clearance allows for easy cleaning underneath the bed, including access for most robotic vacuum cleaners.
- **Floor Protection:** The bed frame is equipped with bottom rubber caps to protect your floors from scratches and damage.

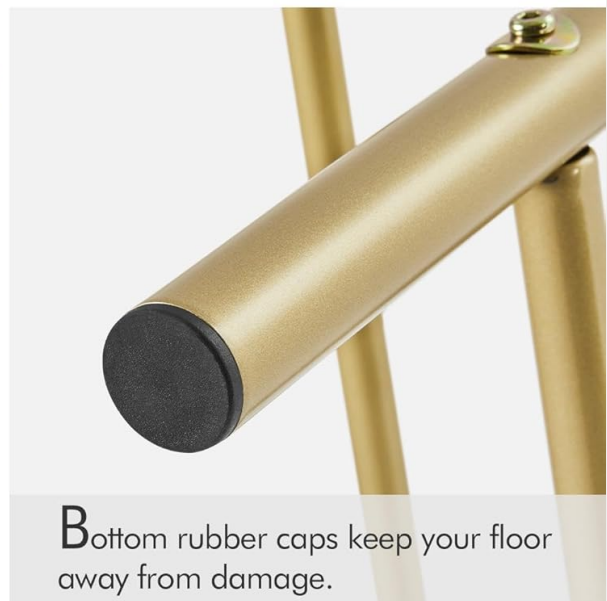
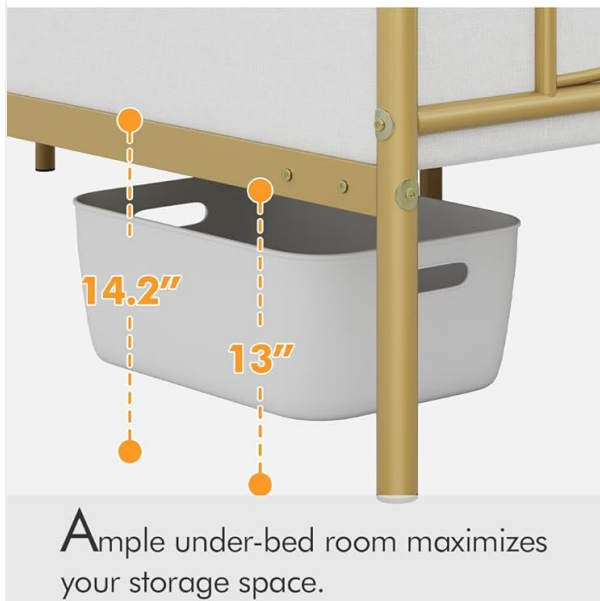
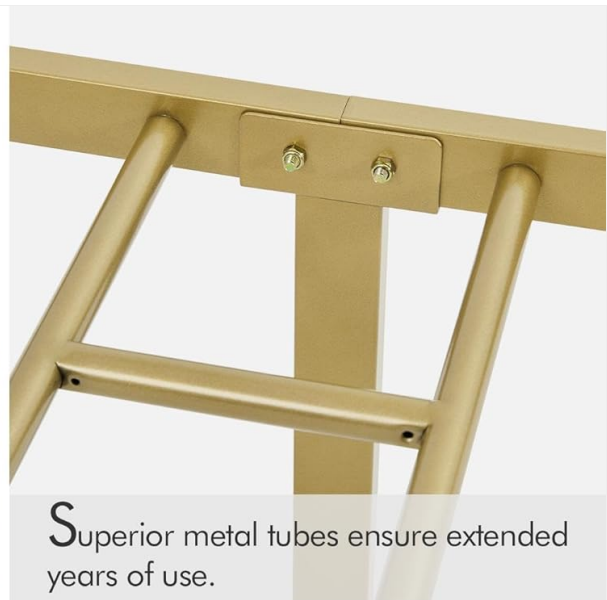


Image: A composite image highlighting key features: the curved design of the headboard/footboard, superior metal tubes for durability, ample under-bed storage space (14.2" and 13" clearance indicated), and protective bottom rubber caps on the legs.

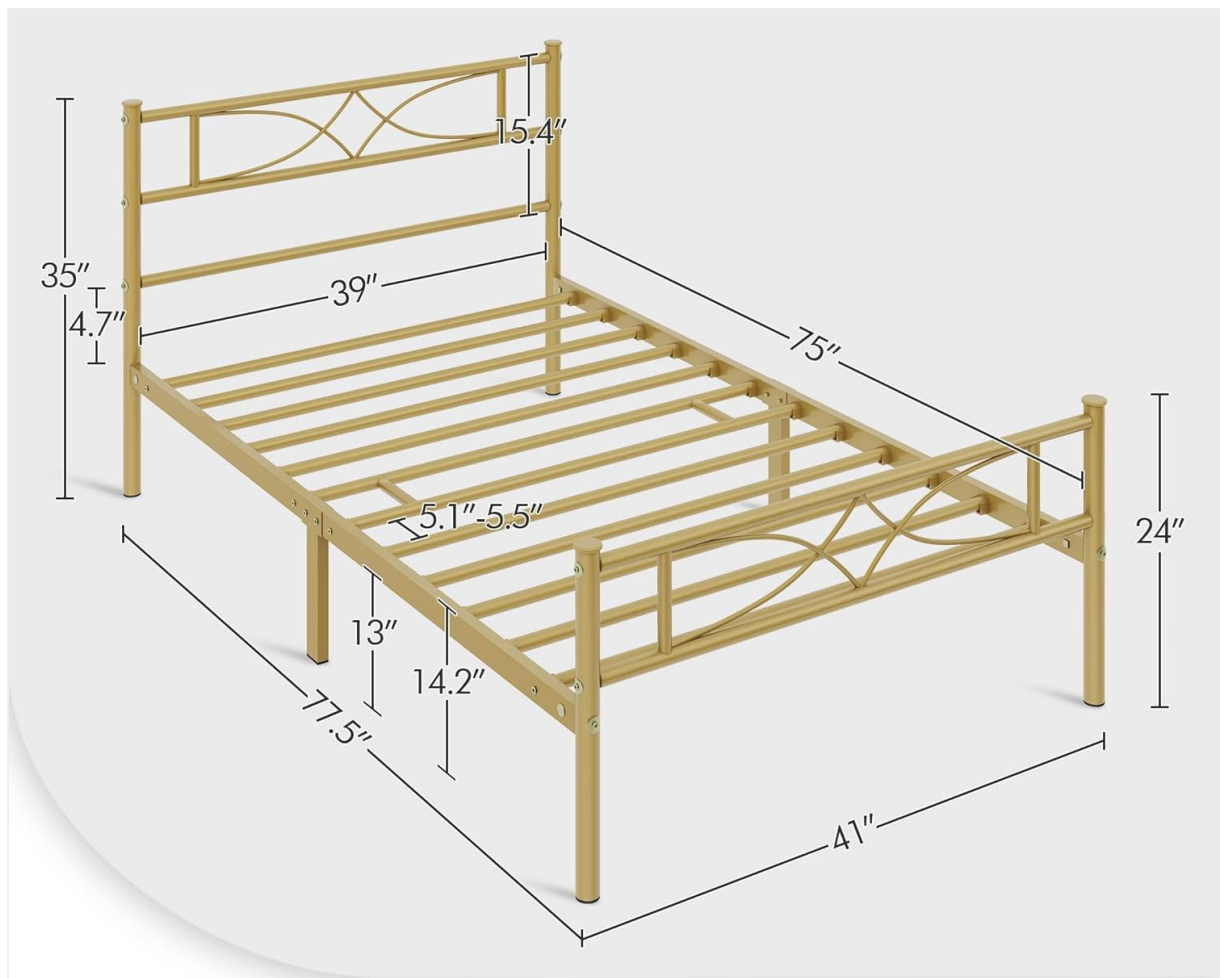
TROUBLESHOOTING

- **Squeaking Noises:** If the bed frame squeaks, check all bolts and connections. Tighten any loose hardware. Ensure the mattress is properly seated on the slats.
- **Instability:** If the frame feels unstable, verify that all components are correctly assembled according to the instructions and all bolts are securely tightened.
- **Missing Parts:** If any parts are missing upon unboxing, please contact Topeakmart customer support immediately.

SPECIFICATIONS

Feature	Detail
Model	B0C7YY57B3
Size	Twin

Overall Dimensions (L x W x H)	77.5" x 41" x 35"
Applicable Mattress Size (L x W)	75" x 39"
Maximum Weight Capacity	450 lb (204 kg)
Material	Iron
Color	Antique Gold
Finish Type	Powder Coated
Ground Clearance	12.6" - 13"
Item Weight	29.2 pounds (13.2 kg)
Assembly Required	Yes



**TWIN
SIZE**



**Max. Weight
Capacity**

450 lb



**Applicable
Mattress Size**

75" x 39"

Image: A detailed diagram illustrating the dimensions of the Twin Metal Bed Frame, including overall length (77.5"), width (41"), headboard height (35"), footboard height (24"), and underbed clearance (13").

WARRANTY AND SUPPORT

For warranty information or customer support, please refer to the documentation included with your

purchase or visit the official Topeakmart website. If you have any questions regarding assembly, missing parts, or product functionality, please contact Topeakmart customer service directly.

You can typically find contact information on the product packaging or by searching for 'Topeakmart customer support' online.