

[Manuals.plus](#) /

> [SHW](#) /

> SHW L-Shaped Home Office Corner Desk with File Drawers (Model OD-24L-W)

## SHW OD-24L-W

# SHW L-Shaped Home Office Corner Desk with File Drawers

Model: OD-24L-W

## INTRODUCTION

---

The SHW L-Shaped Home Office Corner Desk, Model OD-24L-W, is designed to optimize your workspace with its functional and durable construction. This manual provides essential information for assembly, operation, maintenance, and safety to ensure proper use and longevity of your desk.

### Key Features:

- **Spacious L-Shaped Design:** Expands your workspace with a 51" x 59" L-shaped layout, ideal for fitting into corners while offering generous surface area for computers, paperwork, and accessories.
- **Integrated Box Box File Drawers:** Features a built-in drawer system with two box drawers for supplies and one file drawer that accommodates letter-size hanging files, keeping your documents and essentials neatly organized.
- **Durable Construction:** Constructed from high-quality engineered wood and finished with a laminated surface, providing lasting durability and a professional appearance suitable for daily use.
- **Cable Management Grommets:** Two pre-installed grommet holes on the desktop help manage cords and cables efficiently for a cleaner, more organized workspace.

## SAFETY INFORMATION

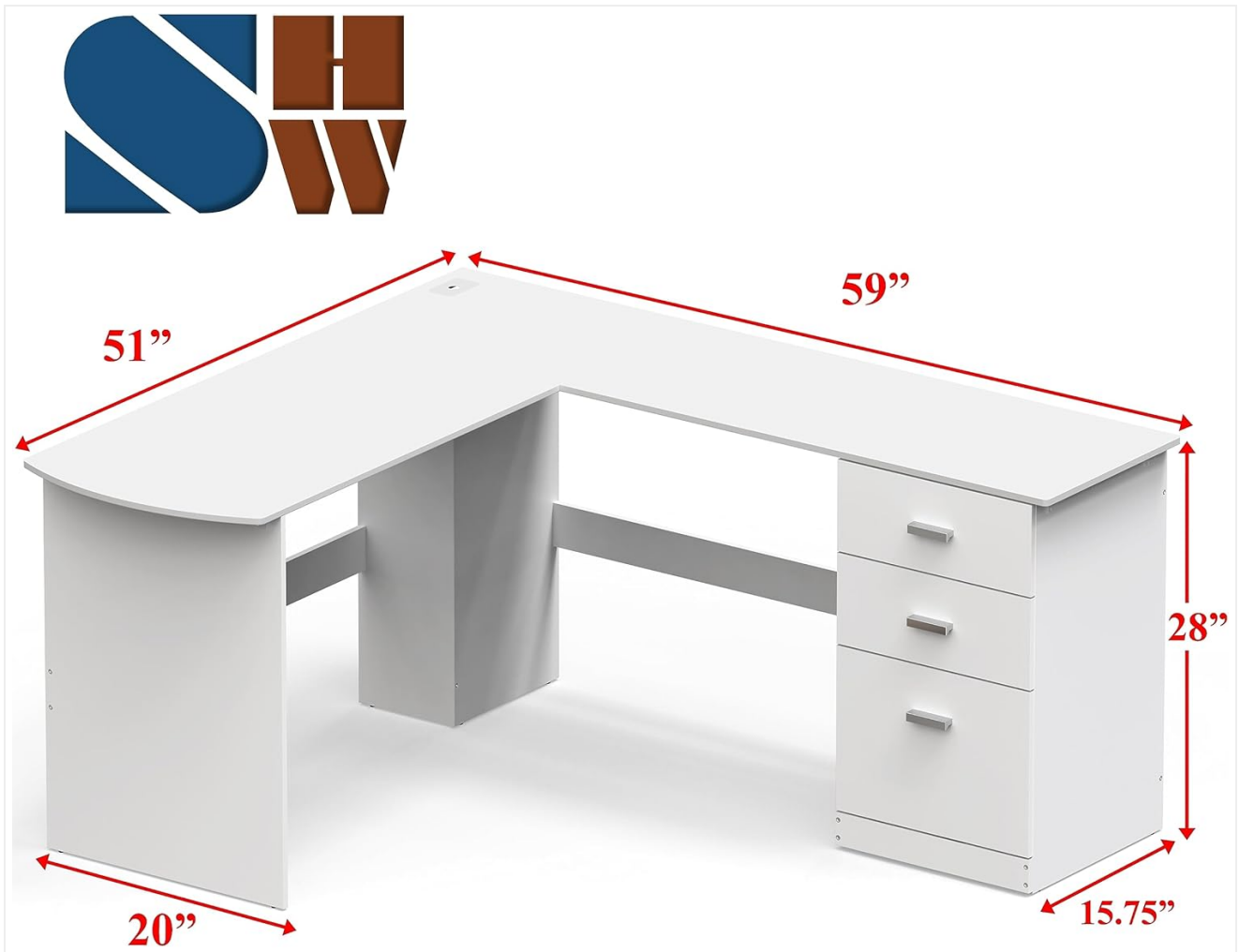
---

Please read and follow these safety guidelines carefully before and during the use of your desk:

- Always assemble the desk according to the provided instructions.
- Ensure the desk is properly anchored to the wall or floor to prevent tipping, especially when using heavy equipment like computers.
- Keep the workspace clear of obstacles to prevent accidents.
- Do not overload the desk or drawers beyond their recommended weight capacity.
- Avoid placing hot items directly on the desk surface without protective padding.

## PRODUCT DIMENSIONS

Understanding the dimensions of your desk is crucial for proper placement and use. The following image illustrates the overall measurements:



Overall dimensions of the SHW L-Shaped Home Office Corner Desk: 51 inches (D) x 59 inches (W) x 28 inches (H).

## ASSEMBLY INSTRUCTIONS

Your SHW L-Shaped Home Office Corner Desk requires assembly. Please ensure all parts are present and undamaged before beginning. Follow the step-by-step instructions provided in the included assembly manual for a smooth setup. It is recommended to have two people for assembly.



The desk components are designed for straightforward assembly. Refer to the detailed manual for specific steps and hardware identification.

## DRAWER SYSTEM OPERATION

---

The desk features an integrated drawer system for convenient storage. It includes two smaller box drawers for office supplies and one larger file drawer designed to hold letter-size hanging files.



The three drawers provide ample storage for various office items. The top two are ideal for small supplies, while the bottom drawer is for files.



The bottom drawer is specifically designed to accommodate letter-size hanging files, keeping your documents organized and easily accessible.

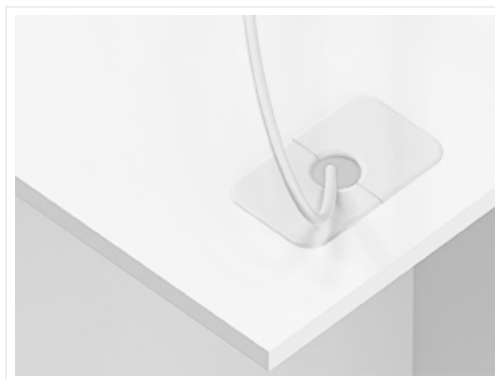


The drawers feature sleek handles for easy opening and closing, ensuring smooth operation.

## CABLE MANAGEMENT

---

To maintain a tidy and organized workspace, the desk is equipped with two pre-installed cable management grommets. These allow you to route power cords and other cables neatly, reducing clutter.



Utilize the desktop grommets to route and organize your electronic device cables, keeping your work surface clear.

## SPECIFICATIONS

---

Feature	Detail
Brand	SHW
Model Number	OD-24L-W

Feature	Detail
Shape	L-Shape
Product Dimensions	51"D x 59"W x 28"H
Color	White
Style	Modern
Base Material	Engineered Wood
Top Material Type	Engineered Wood
Finish Type	Wood
Number of Drawers	3
Item Weight	28.6 Kilograms
Required Assembly	Yes
Includes All Assembly Tools	Yes

## CARE AND MAINTENANCE

---

To ensure the longevity and appearance of your SHW L-Shaped Home Office Corner Desk, follow these care and maintenance tips:

- Wipe the desk surface regularly with a soft, damp cloth to remove dust and spills. Avoid abrasive cleaners.
- For stubborn marks, use a mild soap solution and dry immediately with a clean cloth.
- Avoid direct exposure to sunlight and extreme temperature changes to prevent warping or discoloration.
- Periodically check and tighten all hardware to ensure stability.

## TROUBLESHOOTING

---

If you encounter any issues with your desk, consider the following common solutions:

- **Wobbling:** Ensure all screws and fasteners are securely tightened. Check that the desk is on a level surface; use shims if necessary.
- **Drawers sticking:** Verify that the drawer slides are properly aligned and free of debris. Lubricate slides with a silicone-based spray if needed.
- **Damaged parts:** If any parts arrived damaged or become damaged during assembly, please contact customer support for assistance.

## WARRANTY AND SUPPORT

---

For warranty information, product support, or to order replacement parts, please refer to the contact details provided in your original purchase documentation or visit the official SHW website. Keep your proof of purchase for warranty claims.

