

YIDELAI 1

YIDELAI 90-Degree Folding Lifting Spring Hinge Instruction Manual

Model: 1

1. PRODUCT OVERVIEW

The YIDELAI 90-Degree Folding Lifting Spring Hinge is designed for applications requiring a controlled lifting and folding mechanism. This hinge provides a stable 90-degree opening angle, making it suitable for various furniture components.

1.1 Intended Use

This spring hinge is intended for use in furniture applications such as:

- Folding sofas
- Lifting doors
- Cabinet doors
- Furniture storage boxes

1.2 Key Features

- **Material:** Constructed from cold-rolled steel plate for durability.
- **Finish:** Nickel plating for corrosion resistance.
- **Opening Angle:** Approximately 90 degrees.
- **Load-bearing Capacity:** Designed for strong load-bearing applications.
- **Design:** Detachable spring hinges, supplied as a pair (left and right).

1.3 Package Contents

Each package contains:

- 1 Pair of YIDELAI 90-Degree Folding Lifting Spring Hinges (left and right)



Image: A pair of YIDELAI 90-degree folding lifting spring hinges, showing their construction and nickel-plated finish.



Image: The spring hinges as they appear in their retail packaging.

2. SPECIFICATIONS

Material	Cold-rolled steel plate (Alloy Steel)
Surface Treatment	Nickel plating (Polished finish)
Opening Angle	Approximately 90 degrees
Product Dimensions (each hinge)	6.6 inches (L) x 1.8 inches (W)
Item Weight (per pair)	8.8 ounces (approximately 278 grams)
Mounting Type	Door Mount
Model Number	1
UPC	741326663202

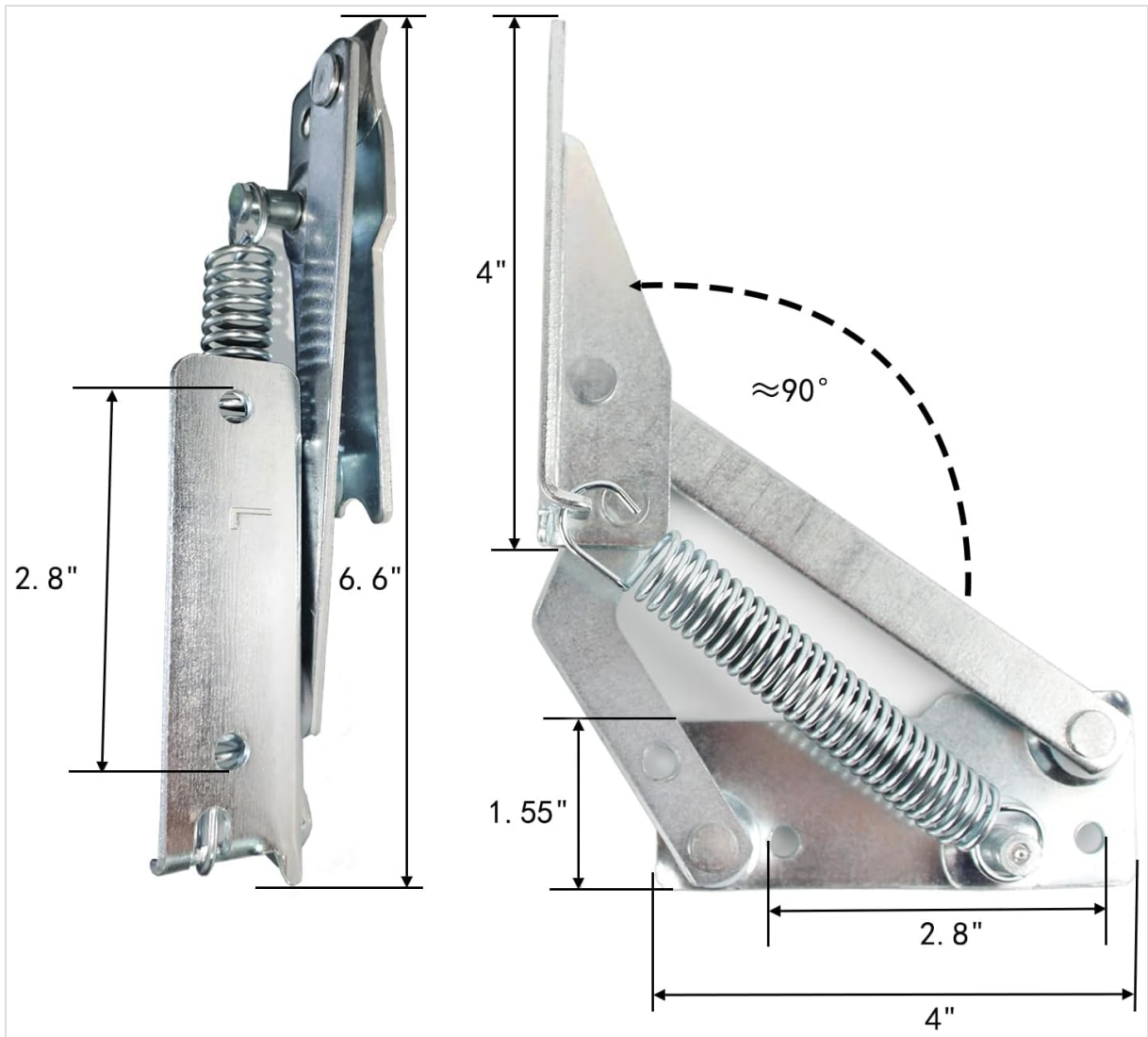


Image: Detailed dimensional drawing of the spring hinge, indicating its length, width, and approximate 90-degree opening angle.



Image: A spring hinge with a measurement overlay, highlighting its 6.6-inch length.

3. INSTALLATION INSTRUCTIONS

Follow these steps for proper installation of the YIDELAI 90-Degree Folding Lifting Spring Hinges:

1. **Unfold the Hinge:** Fully unfold the spring hinge to its open position before beginning installation.
2. **Determine Placement:** Identify the suitable installation position on your furniture piece (e.g., cabinet door, sofa bed frame). Ensure proper alignment for smooth operation.
3. **Initial Fastening:** Secure the hinge with one or two screws initially. This allows for minor adjustments.
4. **Test Operation:** Gently open and close the furniture component to observe if the hinge operates normally and smoothly. Adjust the position if necessary.
5. **Final Fastening:** Once the position is confirmed and operation is smooth, install all remaining screws to fully secure the hinge.

Note: Screws are not included in the packaging due to varying material thicknesses of installation surfaces. Please use appropriate screws for your specific application.



Image: Example of the spring hinge installed on a cabinet door, showing its functional application.



Image: The spring hinge integrated into a furniture piece, demonstrating its lifting capability.

4. OPERATION

The YIDELAI 90-Degree Folding Lifting Spring Hinge is designed for simple and reliable operation. When installed correctly, the hinge will allow the attached furniture component to open to an approximate 90-degree angle and hold that position. The spring mechanism assists in the lifting and folding action, providing support and stability.



Image: A visual representation of the hinge in both its folded and extended states.

5. MAINTENANCE

To ensure the longevity and smooth operation of your YIDELAI spring hinges, consider the following maintenance tips:

- **Regular Cleaning:** Wipe down the hinges periodically with a soft, dry cloth to remove dust and debris.
- **Lubrication:** If the hinges begin to feel stiff, apply a small amount of silicone-based lubricant to the moving parts and pivot points. Avoid oil-based lubricants that can attract dust.
- **Check Fasteners:** Periodically inspect all screws to ensure they are tight. Loose screws can affect hinge performance and stability.
- **Avoid Overloading:** Do not exceed the intended load-bearing capacity of the hinges, as this can cause damage or premature wear.

6. TROUBLESHOOTING

If you encounter issues with your spring hinges, refer to the following common problems and solutions:

- **Hinge feels stiff:**

- Ensure the hinges are perfectly aligned during installation. Misalignment can cause stiffness.
- Apply a silicone-based lubricant to the pivot points.
- **Hinge does not hold position:**
 - Verify that the hinges are correctly installed and all screws are tightened.
 - Check if the load on the furniture component exceeds the hinge's capacity.
- **Screws are loose:**
 - Tighten all screws. If screws repeatedly loosen, consider using slightly longer screws or wood glue in the screw holes (for wood applications) to improve grip.

7. WARRANTY AND SUPPORT

YIDELAI is committed to providing satisfactory solutions for its products. If you have any questions, require assistance, or encounter any issues with your spring hinges, please contact the seller or manufacturer directly. In case of product issues, return options and full refunds are available as per the seller's policy.

For support, please refer to the contact information provided at the point of purchase or on the product packaging.