



[Manuals.plus](#) /

> [Marada](#) /

> Marada Racing Wheel Monitor Stand M75 Instruction Manual

Marada M75

Marada Racing Wheel Monitor Stand M75 Instruction Manual

Model: M75 | Brand: Marada

1. INTRODUCTION

Thank you for choosing the Marada M75 Racing Wheel Monitor Stand. This stand is designed to provide a stable and immersive display solution for your racing simulator cockpit. It is compatible with various racing setups and supports monitors up to 60 inches. This manual provides essential information for proper assembly, operation, and maintenance to ensure a safe and enjoyable experience.

2. SAFETY INFORMATION

- Read all instructions carefully before attempting assembly or use.
- Keep all packaging materials away from children to prevent choking hazards.
- Ensure all fasteners, bolts, and connections are securely tightened before placing a monitor on the stand and before each use.
- Do not exceed the maximum weight capacity of **65 lbs (29.5 kg)** for the monitor.
- Use this monitor stand only with compatible racing simulator cockpits as specified by Marada.
- Place the stand on a flat, stable, and level surface to prevent tipping.
- Avoid placing the stand in high-traffic areas where it could be accidentally bumped.

3. PACKAGE CONTENTS

Please verify that all components are present before beginning assembly. The package includes:

- Main monitor stand frame (vertical support bars, horizontal monitor mounting bars)

- Monitor mounting brackets (VESA compatible)
- Base feet for stability
- Adjustable bolts, nuts, and washers for assembly and securing the monitor
- Rubber feet for enhanced grip



Image: The Marada M75 Monitor Stand shown as a standalone unit, illustrating the main components included. This product includes only the monitor stand; racing seats, game stands, joysticks, pedals, shifters, and displays are sold separately.

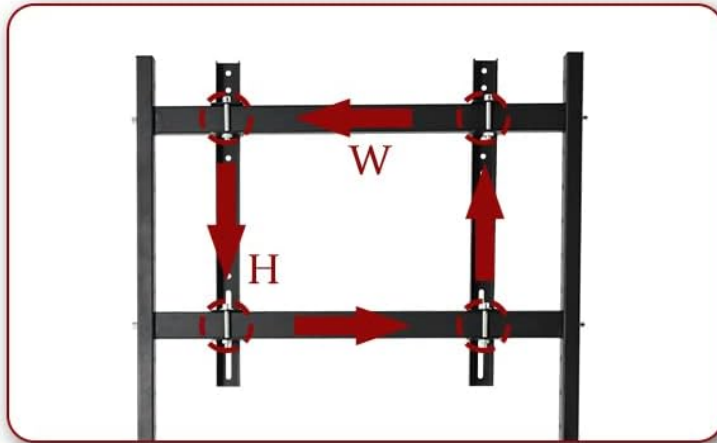
4. SETUP AND ASSEMBLY

Follow these steps to assemble your Marada M75 Racing Wheel Monitor Stand:

1. **Unpack Components:** Carefully remove all parts from the packaging. Refer to the package contents list to ensure all items are present.
2. **Attach Base Feet:** Securely attach the base feet to the bottom of the vertical support bars using the provided bolts and nuts. Ensure they are oriented correctly for maximum stability.
3. **Connect Vertical and Horizontal Bars:** Assemble the vertical support bars and connect them to the horizontal monitor mounting bars. The design allows for adjustment of height and width.

4. **Adjust VESA Brackets:** Adjust the position of the monitor mounting brackets (VESA plates) on the horizontal bars to match your monitor's VESA hole pattern. The stand supports various VESA patterns (e.g., 100x100mm to 500x400mm).

High Compatibility



VESA=W x H

VESA refers to the distance between the 4 screw holes on the back of the TV set.

VESA RANGE

W×H	
100x100mm <input checked="" type="checkbox"/>	400x200mm <input checked="" type="checkbox"/>
200x100mm <input checked="" type="checkbox"/>	400x300mm <input checked="" type="checkbox"/>
200x200mm <input checked="" type="checkbox"/>	400x400mm <input checked="" type="checkbox"/>
300x200mm <input checked="" type="checkbox"/>	
300x300mm <input checked="" type="checkbox"/>	
100mm≈4" <input checked="" type="checkbox"/>	400mm≈15.7" <input checked="" type="checkbox"/>
200mm≈7.9" <input checked="" type="checkbox"/>	500mm≈19.7" <input checked="" type="checkbox"/>
300mm≈11.8" <input checked="" type="checkbox"/>	



Image: Diagram illustrating VESA compatibility ranges (W x H) and how the monitor mounting brackets can be adjusted horizontally and vertically to fit different monitor sizes and VESA patterns.

5. **Mount Monitor:** Carefully attach your monitor to the VESA mounting brackets using the appropriate screws provided with your monitor or the stand. Ensure the monitor is centered and securely fastened.
6. **Position Stand:** Place the assembled monitor stand in front of your racing simulator cockpit.
7. **Secure to Cockpit:** Use the adjustable bolts to fix the monitor stand to your racing cockpit. This step is crucial for improving overall stability and preventing movement during intense gaming sessions.
8. **Final Check:** Double-check all connections, bolts, and nuts to ensure they are tight and secure. Confirm the stand is stable and the monitor is firmly mounted before use.

**Excluding seats, game stands,
aircraft joysticks, pedals,
shifters, and displays**

Only one monitor bracket



Image: The Marada M75 Monitor Stand shown integrated with a racing simulator cockpit, demonstrating its intended use and how it complements a full setup.

Adapting Stand



Fully compatible with the following brackets in our store, not suitable for other brackets. Please purchase with caution.

Image: The Marada M75 Monitor Stand displayed alongside various Marada racing simulator cockpits, highlighting its compatibility with other Marada brand products. This stand is designed for Marada round tube racing steering wheel brackets.

5. OPERATING INSTRUCTIONS

Once the Marada M75 Monitor Stand is fully assembled and securely attached to your racing cockpit, it provides a fixed and stable platform for your display. No specific operational steps are required beyond ensuring the monitor is properly mounted and powered on. The stand's primary function is to hold your monitor in an optimal viewing position for an immersive racing experience.

6. MAINTENANCE

- **Regular Checks:** Periodically inspect all bolts, nuts, and connections to ensure they remain tight. Vibrations from gaming can sometimes loosen fasteners.
- **Cleaning:** Clean the stand with a soft, dry cloth. For stubborn dirt, a slightly damp cloth can be used, followed by drying. Avoid using abrasive cleaners, solvents, or harsh chemicals, as these can damage the finish.
- **Damage Inspection:** Regularly check the stand for any signs of wear, bending, cracks, or other

damage. If any damage is found, discontinue use immediately and contact customer support for assistance.

7. TROUBLESHOOTING

Issue	Possible Cause / Solution
Stand is unstable or wobbles.	<ul style="list-style-type: none">• Ensure all assembly bolts and nuts are securely tightened.• Verify the stand is placed on a flat, stable, and level surface.• Confirm the monitor's weight does not exceed the maximum capacity of 65 lbs (29.5 kg).• Ensure the stand is properly secured to your racing cockpit using the adjustable bolts.
Monitor does not fit the mounting brackets.	<ul style="list-style-type: none">• Check your monitor's VESA compatibility against the supported VESA ranges (100x100mm to 500x400mm).• Ensure the horizontal and vertical mounting bars are adjusted correctly to match your monitor's VESA pattern.• Verify you are using the correct screws and spacers for your monitor.
Missing parts during unboxing.	<ul style="list-style-type: none">• Carefully check all packaging materials.• Contact Marada customer service or the retailer where you purchased the product, providing your purchase details.

8. SPECIFICATIONS

Feature	Detail
Brand	Marada
Model Number	M75
Item Weight	23.2 pounds (10.5 kg)
Product Dimensions	23.7 x 10 x 5.99 inches (60.2 x 25.4 x 15.2 cm)
Material	Metal (Alloy Steel)
Color	Black
Mounting Type	Floor Mount
Movement Type	Fixed

Feature	Detail
Special Features	Adjustable height and width
Compatible Devices	Monitor, Television
Max Monitor Size Supported	Up to 60 inches
Max Weight Capacity	65 lbs (29.5 kg)
VESA Compatibility	100x100mm, 200x100mm, 200x200mm, 300x200mm, 300x300mm, 400x200mm, 400x300mm, 400x400mm, 500x200mm, 500x300mm, 500x400mm

PRODUCT SIZE

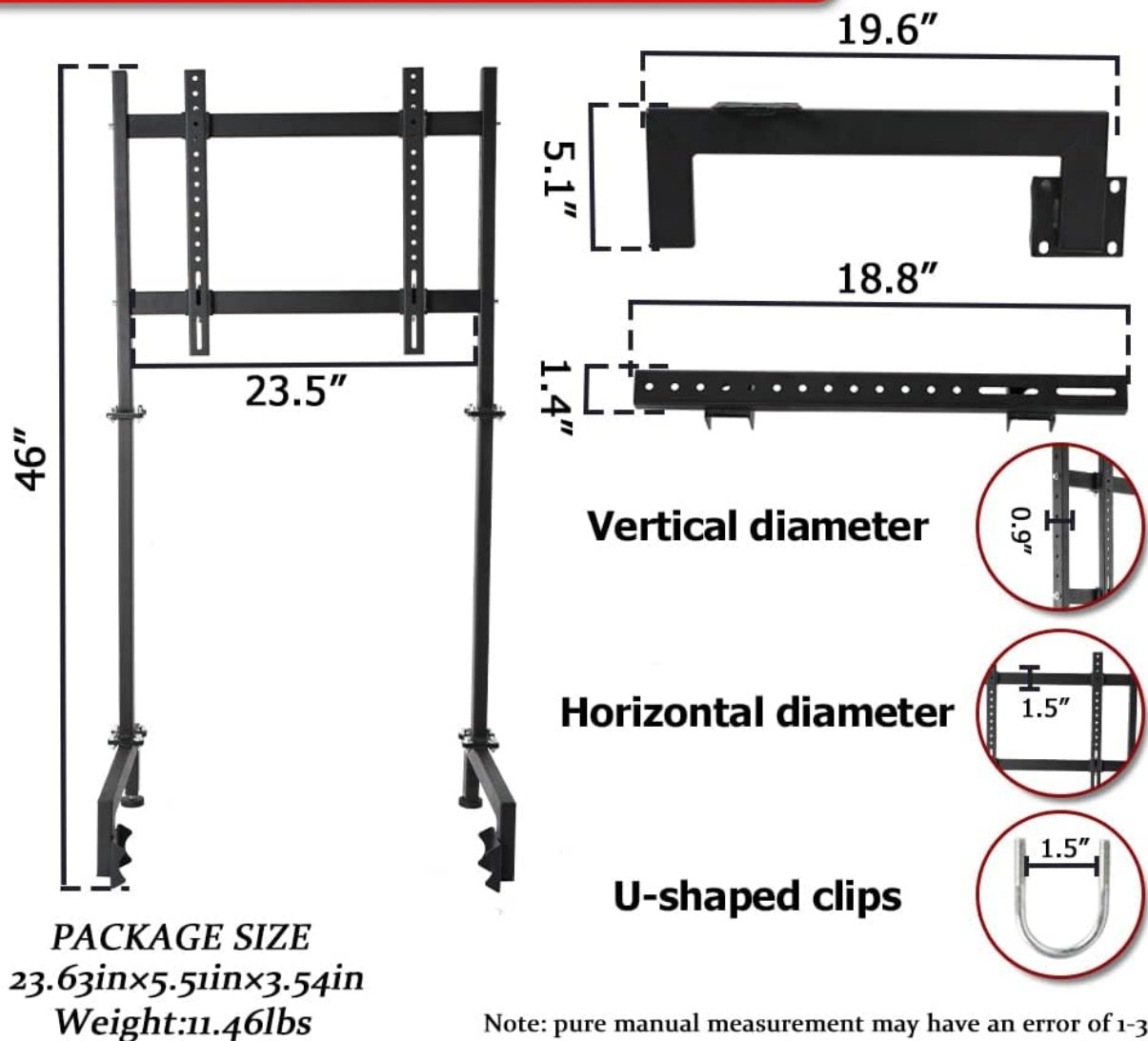


Image: Detailed diagram showing the product dimensions, including overall height (46"), horizontal bar width (19.6"), and tube diameters (vertical 0.9", horizontal 1.5").

9. WARRANTY AND SUPPORT

For warranty information, technical assistance, or to inquire about replacement parts, please contact Marada customer service directly through their official website or the retailer from whom you purchased this product. Please retain your purchase receipt as proof of purchase for any warranty claims.