



[Manuals.plus](#) /

› [vidaXL](#) /

› [vidaXL Record Cabinet \(Model 831973\) Instruction Manual](#)

**vidaXL 831973**

# vidaXL Record Cabinet (Model 831973) Instruction Manual

Brand: vidaXL | Model: 831973

## INTRODUCTION

---

This instruction manual provides essential information for the safe assembly, operation, and maintenance of your vidaXL Record Cabinet, Model 831973. Please read this manual thoroughly before beginning assembly or use to ensure proper function and longevity of the product. Keep this manual for future reference.

## SAFETY INFORMATION

---

- Always assemble the product on a clean, flat, and soft surface to prevent scratches.
- Ensure all components are securely fastened before use. Loose parts can cause instability and potential injury.
- Do not overload the cabinet. Refer to the specifications section for weight limits.
- Keep small parts and packaging materials away from children to prevent choking hazards.
- If wall mounting is required (not applicable for this freestanding unit but general advice), ensure appropriate hardware is used for your wall type.
- Avoid placing hot items directly on the surface without protection.

## PACKAGE CONTENTS

---

Before assembly, verify that all parts are present and undamaged. If any parts are missing or damaged, contact customer support.

- Cabinet panels (top, bottom, sides, dividers)
- Support legs
- Assembly hardware (screws, dowels, connectors)

- Instruction manual

## SETUP AND ASSEMBLY INSTRUCTIONS

---

Assembly is required for this product. Please follow these steps carefully.

1. **Unpack Components:** Carefully remove all parts from the packaging. Lay them out on a soft, clean surface to prevent damage.
2. **Identify Parts:** Refer to the included parts list (if provided in physical manual) to identify each panel and piece of hardware.
3. **Attach Legs:** Secure the support legs to the bottom panel of the cabinet using the provided screws. Ensure they are tightened firmly.
4. **Assemble Side Panels:** Connect the side panels to the bottom panel using dowels and screws.
5. **Insert Dividers:** Slide the internal divider panels into their designated slots, securing them with the appropriate hardware.
6. **Attach Top Panel:** Place the top panel onto the assembled structure and secure it with screws.
7. **Final Tightening:** Once all components are in place, gently tighten all screws to ensure stability. Do not overtighten.



Image: Assembled vidaXL Record Cabinet in a living room, showcasing its use for record storage and as a turntable stand.

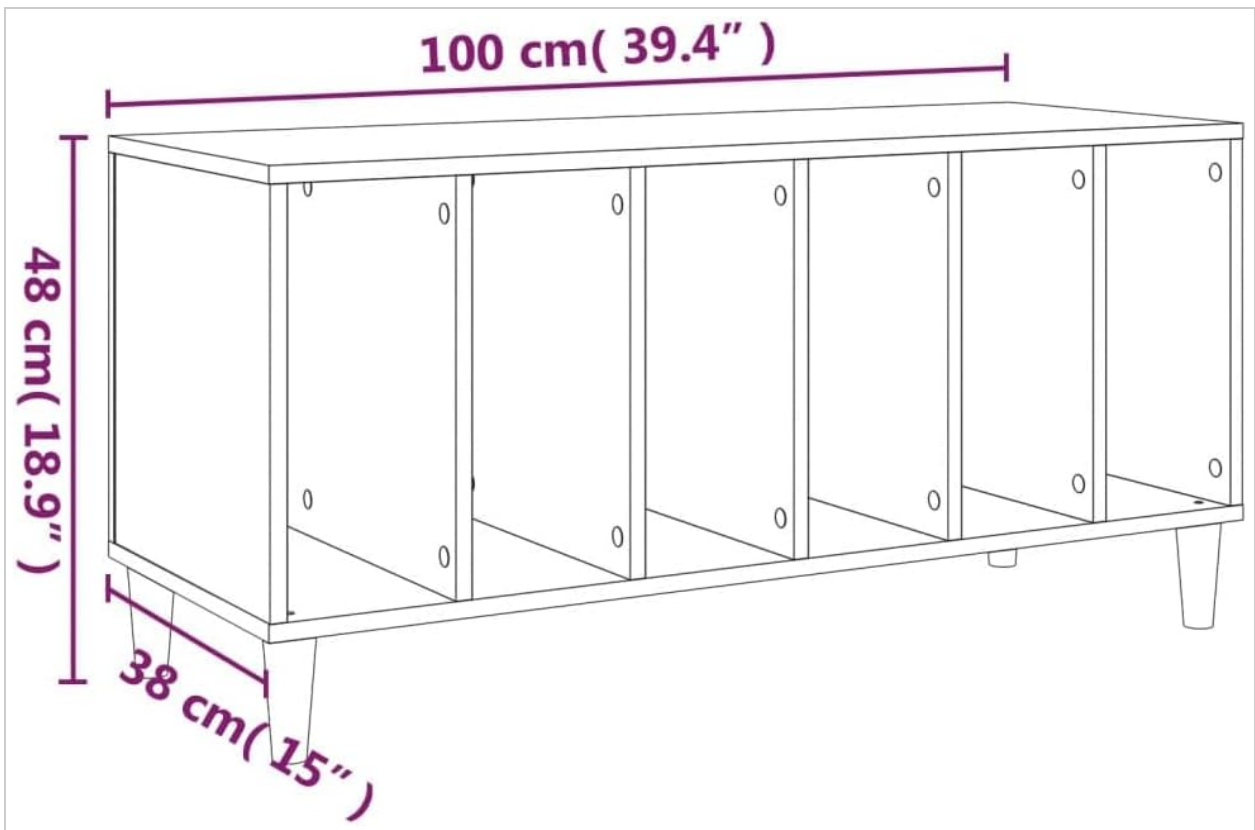


Image: Dimensional diagram of the record cabinet, indicating its width, height, and depth for planning placement.

## OPERATING INSTRUCTIONS

---

This record cabinet is designed for versatile use in your home.

- **Record Storage:** Utilize the five spacious compartments to organize and store your vinyl record collection. The vertical design helps keep records upright and easily accessible.
- **Turntable Stand:** The sturdy top surface is suitable for placing a turntable, amplifier, or other audio equipment. Ensure the weight of your equipment does not exceed the cabinet's capacity.
- **Multi-functional Use:** This unit can also serve as a TV stand, a living room sideboard for decorative items, or a filing cabinet in an office or study area.



Image: Front view of the record cabinet, highlighting its six open compartments suitable for vinyl records or other items.

## MAINTENANCE

---

Proper care will help maintain the appearance and functionality of your cabinet.

- **Cleaning:** Wipe surfaces with a soft, damp cloth. Avoid abrasive cleaners or harsh chemicals that may damage the finish.
- **Spills:** Clean up spills immediately to prevent moisture damage, especially on engineered wood surfaces.
- **Hardware Check:** Periodically check all screws and fasteners to ensure they remain tight. Retighten if necessary.
- **Avoid Direct Sunlight:** Prolonged exposure to direct sunlight can cause fading or discoloration.
- **Humidity Control:** Maintain a stable room temperature and humidity level to prevent warping or cracking of the wood material.

## TROUBLESHOOTING

---

If you encounter issues with your record cabinet, refer to these common solutions.

Problem	Possible Cause	Solution
Cabinet is wobbly or unstable.	Loose fasteners; uneven floor.	Ensure all screws are tightened. Adjust leg levelers if present, or place shims under legs on uneven surfaces.
Parts do not align during assembly.	Incorrect orientation of panels; manufacturing defect.	Double-check the instruction diagrams for correct panel orientation. If parts are defective, contact customer support.
Surface scratches or marks.	Rough handling; abrasive cleaning.	Use furniture polish or touch-up pens for minor scratches. Avoid dragging items across the surface.

## SPECIFICATIONS

---

- **Brand:** vidaXL
- **Model Number:** 831973
- **Material:** Engineered Wood
- **Color:** White
- **Overall Dimensions (L x W x H):** 100 cm x 38 cm x 48 cm (39.4 in x 15 in x 18.9 in)
- **Weight:** 22.6 kg (49.8 lbs)
- **Number of Compartments:** 5
- **Assembly Required:** Yes
- **Installation Type:** Freestanding
- **Special Feature:** Highly durable

## WARRANTY AND SUPPORT

---

For warranty information, product support, or to order replacement parts, please refer to the retailer's policy or contact vidaXL customer service directly. Keep your proof of purchase for any warranty claims.

**Contact Information:** Please visit the official vidaXL website or the retailer's support page for the most current contact details.

