

BXLIYER SXAUTO-G14D-BX

BXLIYER SXAUTO Android 12 Universal Single Din Autoradio Stereo

User Manual

[Introduction](#)

[Safety](#)

[Installation](#)

[Operation](#)

[Features](#)

[Troubleshooting](#)

[Specifications](#)

1. INTRODUCTION

Thank you for purchasing the BXLIYER SXAUTO Android 12 Universal Single Din Autoradio Stereo. This manual provides detailed instructions for the installation, operation, and maintenance of your new car stereo system. Please read this manual thoroughly before use to ensure proper functionality and to prevent damage.

2. SAFETY INFORMATION

- **Professional Installation Recommended:** Due to the complexity of car electrical systems, professional installation is highly recommended to avoid damage to the unit or your vehicle.
- **Power Supply:** Ensure the unit is connected to a 12V DC power supply with a negative ground.
- **Wiring:** Incorrect wiring can cause damage or fire. Always follow the wiring diagram provided.
- **Driving Safety:** Do not operate the unit in a way that distracts you from driving. Always prioritize road safety.
- **Temperature:** Avoid exposing the unit to extreme temperatures or direct sunlight for prolonged periods.
- **Moisture:** Keep the unit away from water and excessive moisture.

3. PACKAGE CONTENTS

Verify that all items are present in the package:

- Autoradio Unit
- Power Cable

- RCA Output Socket A (for Subwoofer, AUX In, Front Camera)
- RCA Output Socket B (for WiFi Antenna, Camera, Parking, Bluetooth Antenna)
- RCA Output Socket C
- GPS Antenna
- USB Cables (2x)
- Frame Kit
- Rear Camera (FREE)
- User Manual
- Accessories (MIC)

Installation Tips

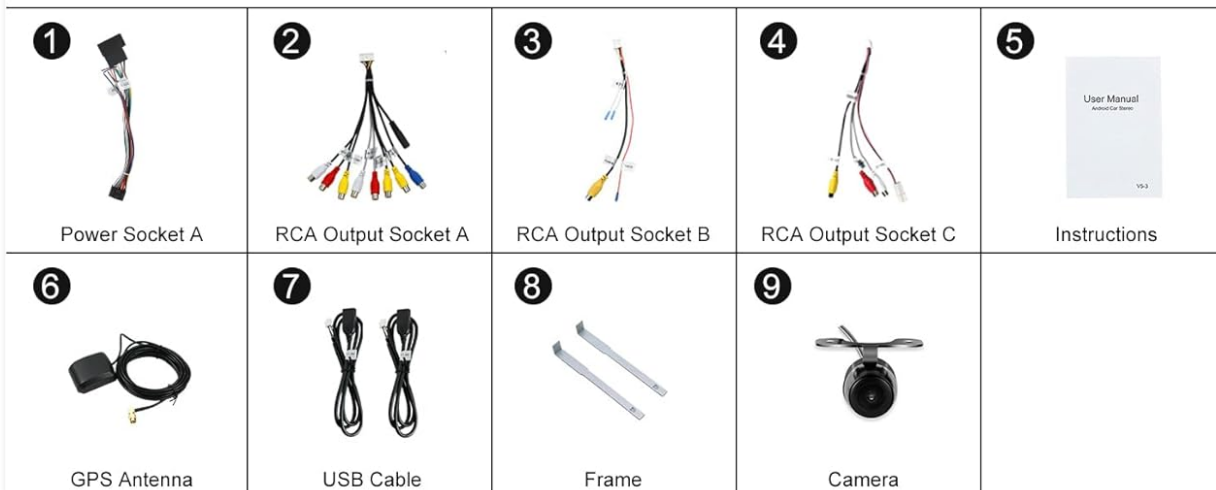
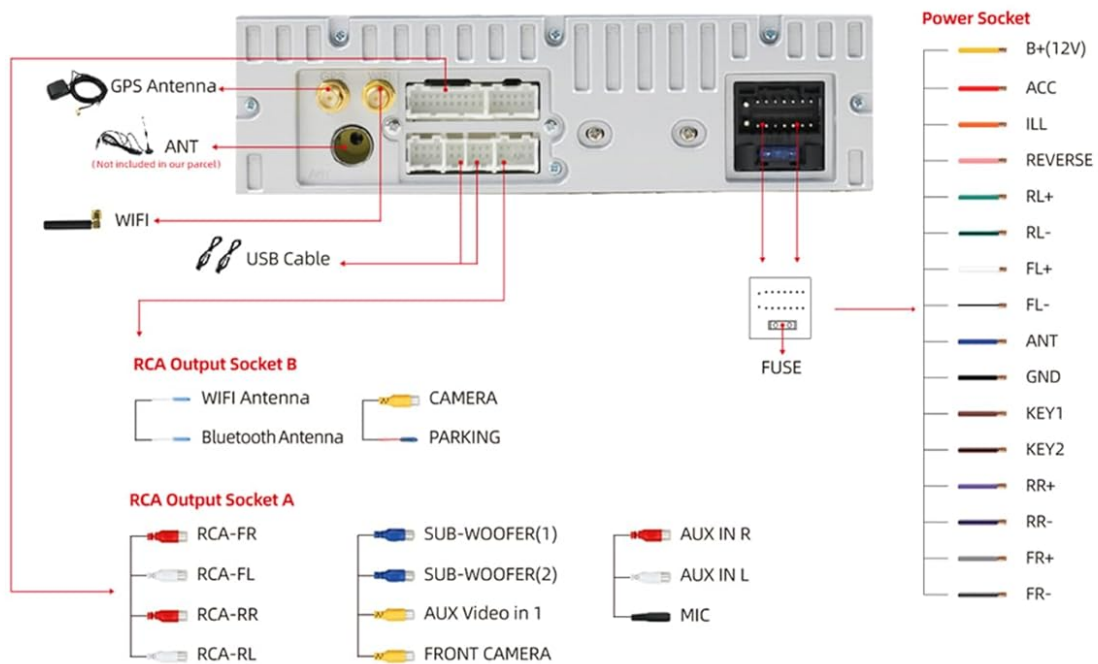


Image: Package Contents and Wiring Diagram. This image displays the various components included in the package, such as the main unit, power cables, RCA cables, GPS antenna, USB cables, frame, and rear camera. It also illustrates the detailed wiring connections for the power socket and RCA output sockets A and B.

4. INSTALLATION

This section provides a general guide for installing the autoradio. Specific vehicle models may require additional adapters or modifications. Consult a professional if you are unsure.

4.1 Wiring Connections

Refer to the wiring diagram for correct connections. Ensure all connections are secure to prevent intermittent issues.

- **Power Socket:** Connect B+(12V) to constant 12V, ACC to ignition switched 12V, ILL to illumination, REVERSE to reverse gear signal, ANT to antenna power, GND to ground.
- **RCA Output Socket A:** Connect for subwoofer, auxiliary audio input (AUX IN R/L), and front camera input.
- **RCA Output Socket B:** Connect the WiFi antenna, rear camera input, parking brake signal, and Bluetooth antenna.
- **USB Cables:** Connect the provided USB cables for external devices.
- **GPS Antenna:** Connect the GPS antenna and place it in a location with a clear view of the sky.

Installation Tips

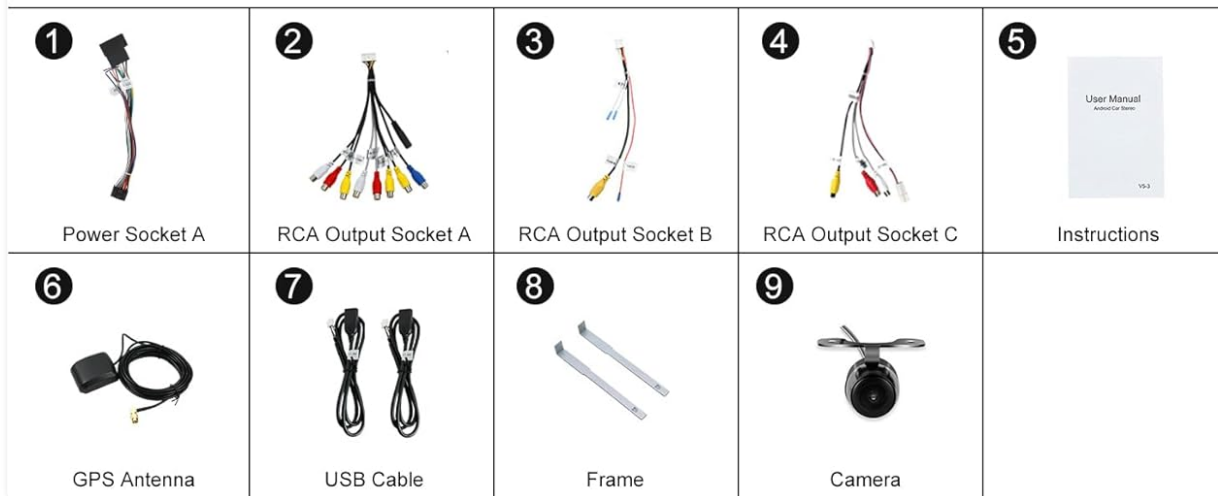
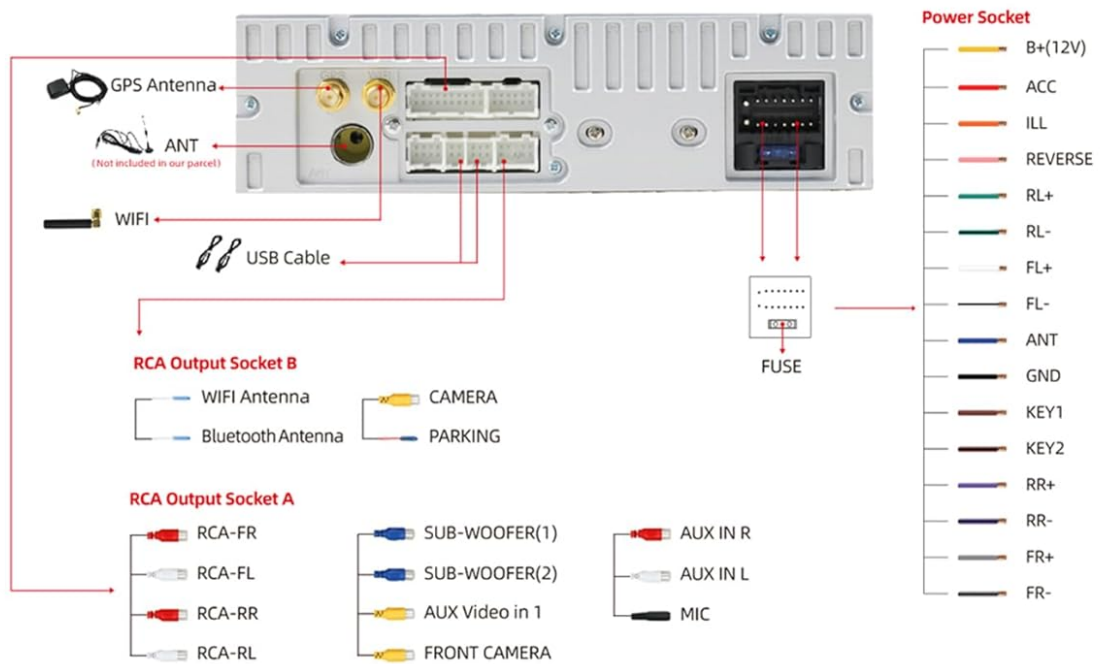


Image: Detailed Wiring Diagram. This diagram illustrates the connections for the power socket, including B+(12V), ACC, ILL, REVERSE, ANT, and GND. It also shows the connections for RCA Output Socket A (subwoofer, AUX IN, front camera) and RCA Output Socket B (WiFi antenna, camera, parking, Bluetooth antenna), along with the GPS antenna and USB cable connections.

4.2 Physical Installation

1. Remove the existing car stereo unit.
2. Connect all necessary wiring harnesses to the new autoradio.
3. Mount the autoradio into the dashboard using the provided frame kit.
4. Secure the unit and reassemble the dashboard trim.

5. INITIAL SETUP

5.1 First Power On

After installation, turn on your vehicle's ignition. The unit should power on automatically. The system features a fast-boot function, allowing access to the Android system in less than 2 seconds.



Fast-boot

Access the system in less than 2 seconds, to speed up the Android system boot time from 25s to only 2s is never easy.



Languages & Multicolor illumination

Support up to 196 languages, you can also customize the button light color you like



GPS Navigation

The radio supports the use of online/offline maps, and you can also download Waze, IGO and other navigation apps you like, so you never have to worry about getting lost.



Support Reversing Video

Connecting to a car backup camera, the car stereo monitor will turn to rear

view reversing details automatically and help the driver safe parking



Image: Fast-boot Feature. This image illustrates the fast-boot capability of the autoradio, highlighting that the system can be accessed in less than 2 seconds, significantly reducing startup time.

5.2 Language and Time Settings

Navigate to the system settings to configure the language, time, and date. The unit supports up to 196 languages.



Fast-boot

Access the system in less than 2 seconds, to speed up the Android system boot time from 25s to only 2s is never easy.



Languages & Multicolor illumination

Support up to 196 languages, you can also customize the button light color you like



GPS Navigation

The radio supports the use of online/offline maps, and you can also download Waze, iGO and other navigation apps you like, so you never have to worry about getting lost.



Support Reversing Video

Connecting to a car backup camera, the car stereo monitor will turn to rear view reversing details automatically and help the driver safe parking

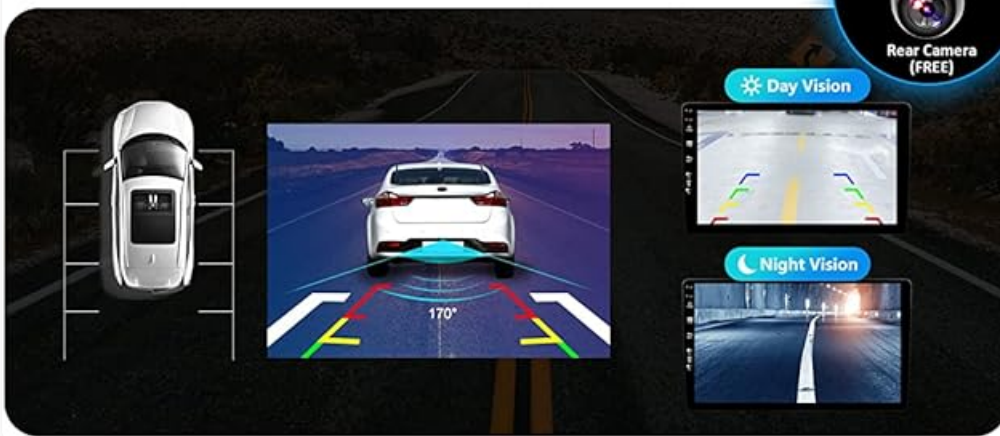


Image: Language and Multicolor Illumination Settings. This image shows the interface for selecting from up to 196 languages and customizing the button light color, allowing for personalized aesthetic preferences.

5.3 Wi-Fi Connection

Connect the unit to a Wi-Fi network for internet access, app downloads, and online navigation. The unit supports dual-band Wi-Fi (2.4GHz and 5GHz).



Dual band WI-FI / 4G

Support 2.4GHz and 5GHz Wi-Fi band,
Global 4G LTE, connect with no boundaries 4G internet.



Bluetooth 5.0 Technology

Using Bluetooth5.0 technology,data transmission is more efficient and positioning is more accurate.



Mirror-Link Mode

Support most iPhone or Android phones for mirroring connection.



Steering Wheel Control

Easy to switch songs/channels/adjust volume and so on provide you a safer and more enjoyable journey.



Image: Dual Band Wi-Fi and 4G Connectivity. This image highlights the unit's support for both 2.4GHz and 5GHz Wi-Fi bands, along with 4G connectivity, enabling robust internet access for streaming and online services.

6. OPERATION

6.1 Basic Controls

The unit features a 7-inch touchscreen for most operations. Physical buttons or knobs may be present for

common functions like volume, power, and menu access.

6.2 Radio (AM/FM/RDS)

Access the Radio application to tune into AM/FM stations. The unit supports RDS (Radio Data System) for displaying station information.

6.3 Bluetooth 5.0

Pair your smartphone via Bluetooth for hands-free calling, contact synchronization, and audio streaming. Navigate to the Bluetooth settings on the unit and your phone to initiate pairing.

Dual band WI-FI / 4G

Support 2.4GHz and 5GHz Wi-Fi band,
Global 4G LTE, connect with no boundaries 4G internet.

Bluetooth 5.0 Technology

Using Bluetooth5.0 technology, data transmission is more efficient and positioning is more accurate.

Mirror-Link Mode

Support most iPhone or Android phones for mirroring connection.



Steering Wheel Control

Easy to switch songs/channels/adjust volume and so on provide you a safer and more enjoyable journey.



Image: Bluetooth 5.0 Technology. This image highlights the benefits of Bluetooth 5.0, including more efficient data transmission and accurate positioning, supporting phone calls, call records, phone book access, and music streaming.

6.4 USB/MicroSD Playback

Insert a USB drive or MicroSD card (up to 256GB) into the designated ports to play audio and video files.

6.5 Steering Wheel Control

Connect your vehicle's steering wheel controls to the SXAUTO system to manage functions like volume, track skipping, and mode switching directly from your steering wheel.



Dual band WI-FI / 4G

Support 2.4GHz and 5GHz Wi-Fi band,
Global 4G LTE, connect with no boundaries 4G internet.



Bluetooth 5.0 Technology

Using Bluetooth 5.0 technology, data transmission is more efficient and positioning is more accurate.





Mirror-Link Mode

Support most iPhone or Android phones for mirroring connection.



Steering Wheel Control

Easy to switch songs/channels/adjust volume and so on provide you a safer and more enjoyable journey.



Image: Steering Wheel Control. This image demonstrates how the unit supports original car steering wheel controls, allowing users to easily switch songs, adjust volume, and navigate for a safer and more enjoyable driving experience.

7. KEY FEATURES

7.1 Android 12 System

The unit runs on Android 12 with a Quad Core Cortex-A7 processor (up to 1.8 GHz), 2GB RAM, and 32GB ROM, providing a responsive and stable user experience.

7.2 Wireless CarPlay & Android Auto

Integrate your smartphone seamlessly. Connect wirelessly via Wi-Fi (BT) or wired via USB to access navigation, music, messages, and calls directly from the unit's display.





Support DAB+ (Optional)

With the DAB+ antenna receiver, you can enjoy more of your favorite digital audio broadcasting radio channels. (DAB Adapter: **B092D31BVX**)



Built-in CarPlay & Android Auto

Connect your smartphone to car stereo wirelessly through Bluetooth or wired through USB.



IPS Screen

Premium IPS Screen, large and Clearer. The viewing angle of the screen is 178°.



Split Screen Mode

Android head unit allow you split the screen between two apps.



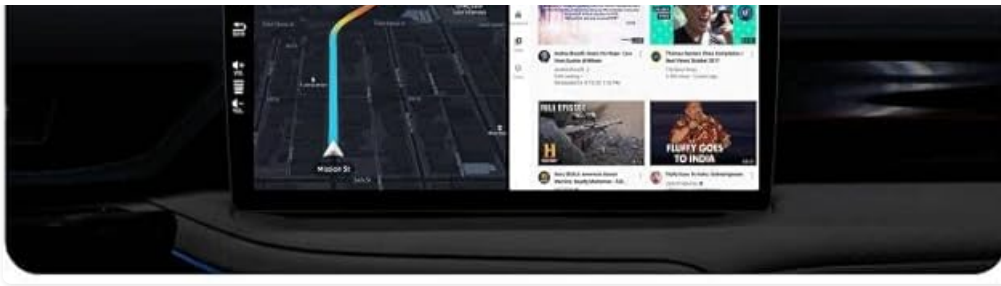


Image: Built-in CarPlay & Android Auto. This image illustrates the integrated CarPlay and Android Auto features, showing how a smartphone can be connected wirelessly or wired to access phone functions like music, navigation, and messaging on the car stereo display.

7.3 IPS Screen

Enjoy a clear and vibrant display with the IPS screen, offering a wide viewing angle of 178 degrees and a resolution of 1280x720 for Full HD 1080P video playback.



Support DAB+ (Optional)

With the DAB+ antenna receiver, you can enjoy more of your favorite digital audio broadcasting radio channels. (DAB Adapter: **B092D31BVX**)



Built-in CarPlay & Android Auto

Connect your smartphone to car stereo wirelessly through Bluetooth or wired through USB.



IPS Screen

Premium IPS Screen, large and Clearer. The viewing angle of the screen is 178°.





Split Screen Mode

Android head unit allow you split the screen between two apps.



Image: IPS Screen. This image highlights the IPS screen technology, emphasizing its premium display quality, 178-degree viewing angle, and 1280x720 resolution for 1080P video playback.

7.4 Split Screen Mode

Run two applications simultaneously on the screen. Easily switch between full-screen and split-screen modes with a simple swipe.



Support DAB+ (Optional)

With the DAB+ antenna receiver, you can enjoy more of your favorite digital audio broadcasting radio channels. (DAB Adapter : **B092D31BVX**)



Built-in CarPlay & Android Auto

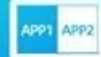
Connect your smartphone to car stereo wirelessly through Bluetooth or wired through USB.





IPS Screen

Premium IPS Screen, large and Clearer.
The viewing angle of the screen is 178°.



Split Screen Mode

Android head unit allow you split the screen between two apps.



Image: Split Screen Mode. This image demonstrates the split-screen mode, showing two applications (navigation and video) running concurrently on the display, enhancing multitasking capabilities.

7.5 GPS Navigation

The unit supports both online and offline GPS navigation. Download your preferred navigation apps like Waze or IGO from the Play Store.



Fast-boot

Access the system in less than 2 seconds,
to speed up the Android system boot time from 25s to only 2s is never easy.





Languages & Multicolor illumination

Support up to 196 languages, you can also customize the button light color you like



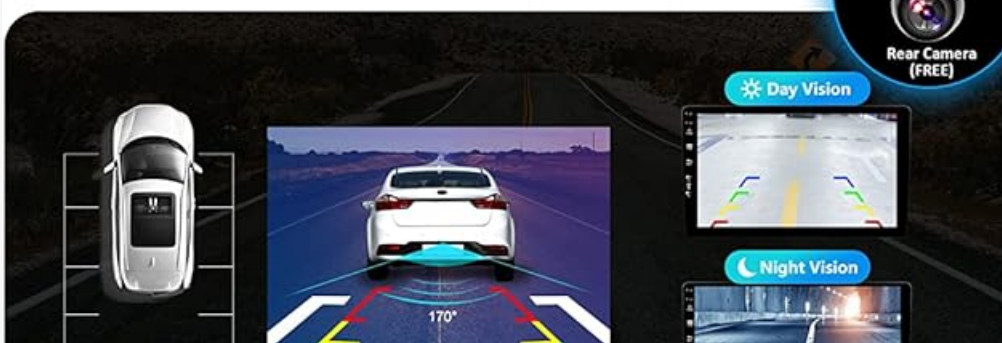
GPS Navigation

The radio supports the use of online/offline maps, and you can also download Waze, IGO and other navigation apps you like, so you never have to worry about getting lost.



Support Reversing Video

Connecting to a car backup camera, the car stereo monitor will turn to rear view reversing details automatically and help the driver safe parking



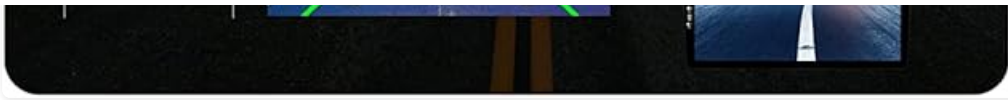


Image: GPS Navigation. This image illustrates the GPS navigation capabilities, showing both online and offline map options, ensuring reliable guidance even without an internet connection.

7.6 Reversing Camera Support

Connect a backup camera (a free LED camera is included). The unit will automatically switch to the camera view when reverse gear is engaged, assisting with safe parking.



Fast-boot

Access the system in less than 2 seconds, to speed up the Android system boot time from 25s to only 2s is never easy.



Languages & Multicolor illumination

Support up to 196 languages, you can also customize the button light color you like



GPS Navigation

The radio supports the use of online/offline maps, and you can also download Waze, IGO and other navigation apps you like, so you never have to worry about getting lost.



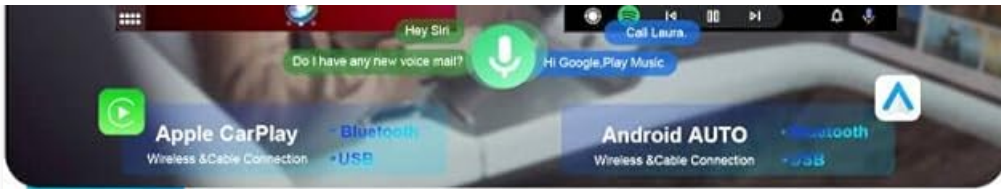


Image: Reversing Camera Support. This image demonstrates the reversing video support, showing how the car stereo monitor automatically displays the rear view when backing up, with examples of both day and night vision for enhanced safety.

7.7 DAB+ Digital Radio (Optional)

For enhanced audio quality, the unit is compatible with a DAB+ module (sold separately, ASIN: B092D31BVX). Connect the DAB+ antenna for digital radio reception.





IPS Screen

Premium IPS Screen, large and Clearer,
The viewing angle of the screen is 178°.



Split Screen Mode

Android head unit allow you split the screen between two apps.



Image: DAB+ Digital Radio Support. This image illustrates the optional DAB+ digital radio feature, showing the interface for receiving digital audio broadcasting channels with near CD-quality sound and noise-free transmission.

7.8 Mirror-Link Mode

Connect your Android or Apple phone to mirror its screen onto the autoradio display, allowing you to control your phone's apps and content.



Dual band WI-FI / 4G

Support 2.4GHz and 5GHz Wi-Fi band,
Global 4G LTE,connect with no boundaries 4G internet.





Bluetooth 5.0 Technology

Using Bluetooth 5.0 technology, data transmission is more efficient and positioning is more accurate.



Mirror-Link Mode

Support most iPhone or Android phones for mirroring connection.



Steering Wheel Control

Easy to switch songs/channels/adjust volume and so on provide you a safer and more enjoyable journey.



Image: Mirror-Link Mode. This image demonstrates the Mirror-Link mode, showing a smartphone screen mirrored onto

the car stereo display, enabling control and viewing of phone content directly from the unit.

7.9 OBD2 Compatibility

The unit is compatible with most OBD2 scanners and Wi-Fi OBD2 modules. With a suitable app (e.g., Torque), you can retrieve vehicle error codes and display real-time vehicle data on the screen.

8. MAINTENANCE

8.1 Cleaning

Use a soft, dry cloth to clean the screen and unit exterior. Avoid abrasive cleaners or solvents that could damage the surface.

8.2 Software Updates

Periodically check for software updates to ensure optimal performance and access to new features. Updates can typically be downloaded via Wi-Fi.

9. TROUBLESHOOTING

Problem	Possible Cause	Solution
Unit does not power on	Incorrect wiring; Blown fuse; No power supply	Check power connections (B+, ACC, GND). Inspect vehicle's fuse box and the unit's fuse. Ensure 12V power is supplied.
No sound	Speaker wires disconnected; Volume too low; Mute activated	Check speaker wiring. Increase volume. Deactivate mute function.
Bluetooth not connecting	Bluetooth off; Device not in pairing mode; Interference	Ensure Bluetooth is enabled on both devices. Put phone in pairing mode. Try pairing in a different location.
GPS signal lost	GPS antenna obstructed or disconnected	Ensure GPS antenna has a clear view of the sky and is securely connected.
Rear camera not displaying	Camera not connected; Reverse trigger wire not connected	Check camera video input and power connections. Verify the REVERSE trigger wire is correctly connected to the vehicle's reverse light signal.

10. SPECIFICATIONS

- **Operating System:** Android 12
- **CPU:** T3 Quad Core Cortex-A7, up to 1.8 GHz
- **RAM:** 2GB DDR3
- **ROM:** 32GB
- **Screen Size:** 7 Inch
- **Screen Resolution:** 1280x720

- **Audio Output:** 4 x 50W max
- **Bluetooth:** Version 5.0
- **Wi-Fi:** Dual band (2.4GHz / 5GHz)
- **Radio Tuner:** AM/FM with RDS
- **USB/MicroSD Support:** Up to 256GB
- **Weight:** 2 Kilograms
- **Model Number:** SXAUTO-G14D-BX

11. WARRANTY AND SUPPORT

11.1 Warranty

This product comes with a **2-year warranty** from the date of purchase, covering manufacturing defects. Please retain your proof of purchase for warranty claims.

11.2 Technical Support

For technical assistance, installation queries, or troubleshooting not covered in this manual, please contact SXAUTO technical support at: sxauto_techsupport@163.com.