

VEVOR 2023V-BK

VEVOR 10-Inch Shutter Exhaust Fan with Temperature and Humidity Controller (Model 2023V-BK)

Instruction Manual

1. INTRODUCTION

This manual provides essential information for the safe installation, operation, and maintenance of your VEVOR 10-Inch Shutter Exhaust Fan with Temperature and Humidity Controller. Please read this manual thoroughly before use and retain it for future reference.



Image 1.1: VEVOR 10-Inch Shutter Exhaust Fan with its intelligent controller.

2. SAFETY INSTRUCTIONS

To reduce the risk of fire, electric shock, or injury, observe the following safety precautions:

- **Electrical Safety:** Ensure the power supply matches the fan's voltage (120V/60Hz). Always unplug the fan from the power source before cleaning, servicing, or performing any maintenance. Do not operate the fan with a damaged cord or plug.
- **Installation:** Install the fan securely according to the instructions. Ensure the mounting surface is structurally sound. Do not install in locations where the fan may be exposed to direct water spray or prolonged damp conditions, as this product is designed for indoor use.
- **Usage:** Keep fingers and other objects away from the fan blades during operation. Do not use this fan with any solid-state speed control device other than the provided controller. This fan is not suitable for outdoor use or prolonged exposure to damp conditions.
- **Children and Pets:** Keep the fan out of reach of children and pets.

3. PRODUCT OVERVIEW

The VEVOR 10-Inch Shutter Exhaust Fan is designed for efficient ventilation and air circulation in various indoor environments such as greenhouses, garages, workshops, and chicken coops. It features an intelligent controller

for automated operation based on temperature and humidity.

Key Features:




- **High Airflow:** Provides 820 CFM (Cubic Feet Per Minute) for effective air exchange.
- **Efficient EC Motor:** Features a premium EC motor for maximized airflow, reduced noise, and lower power consumption (15W). The motor is fully enclosed with thermal protection and permanent lubrication for durability.
- **Smart Controller:** Equipped with an intelligent controller offering temperature and humidity triggers, 10 adjustable fan speeds, timer mode, and alarm mode.
- **Durable Construction:** Rugged all-metal structure with a powder-coated steel frame, aluminum alloy fan blades, and automatic shutters, providing resistance to weather, liquid, and dust.
- **Automatic Shutters:** Gravity-operated shutters open when the fan is active and close automatically when power is off, preventing backdraft and entry of elements.
- **Plug and Play:** Comes fully assembled with a 6.2 ft power cord for easy installation.



Image 3.1: Components of the fully assembled shutter fan, including aluminum alloy blades, powder-coated steel frame, and powder-coated aluminum shutters.

SEALED EC MOTOR

Low-energy operation
at a low noise level

-  Thermal Overload Protection
-  Permanently Lubricated
-  ETL Listed

-  Heat
-  Dust
-  Odor
-  Humidity

 **843 CFM**



Image 3.2: Illustration of the sealed EC motor, highlighting thermal overload protection, permanent lubrication, and ETL listing, with an airflow indication of 843 CFM.

4. INSTALLATION

The VEVOR Shutter Exhaust Fan is designed for wall-mount installation and comes fully assembled for convenience.

Installation Steps:

- 1. Prepare Opening:** Determine the desired location for the fan. Cut an opening in the wall that accommodates the fan's dimensions (approximately 10.31 inches x 10.31 inches for the 10-inch model). Ensure the opening is clean and free of obstructions.
- 2. Mount the Fan:** Position the fan frame into the prepared opening. Secure the fan to the wall using appropriate fasteners (4 bolts are included). Ensure the fan is level and firmly attached to prevent vibration and ensure proper shutter operation.
- 3. Connect Power:** Plug the fan's 6.2 ft power cord into a standard 120V/60Hz electrical outlet. No complex wiring is required.
- 4. Controller Placement:** Place the intelligent controller in an accessible location. The controller cable connects directly to the fan unit.

Plug and Play

Comes fully assembled out of the box

 6.2 ft Power Cord

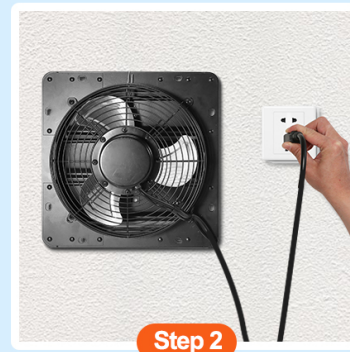
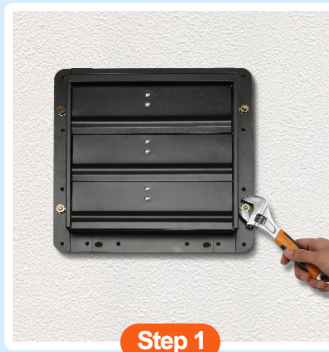


Image 4.1: Visual guide for the plug-and-play installation, showing the fan being mounted and then plugged into a power outlet.

PLUG AND PLAY

No more wiring issues to worry about



Image 4.2: Examples of the exhaust fan installed in a greenhouse and a barn, demonstrating typical application environments.

5. OPERATING INSTRUCTIONS

The intelligent controller allows for precise management of your fan's operation based on environmental conditions.

Controller Functions:

- **Mode Setting:** Cycle through various operating modes including Auto Mode, Timer Mode, Alarm Mode, and Trigger Mode (ON/OFF).
- **Auto Mode:** The fan automatically adjusts its speed or turns on/off based on preset temperature and humidity thresholds. You can set high temperature, low temperature, high humidity, and low humidity triggers.
- **Temperature/Humidity Triggers:** Set specific temperature and humidity levels at which the fan will activate or deactivate.
- **10-Speed Adjustment:** Adjust the fan speed from 1 to 10 to control airflow intensity.
- **Timer Mode:** Program the fan to operate for a specific duration.
- **Alarm Mode:** Set alarms for specific conditions (e.g., if temperature exceeds a certain limit).
- **ECO Mode:** An energy-saving mode that optimizes fan operation for efficiency.

SMART PROGRAMMING

Automate airflow in response to temp. and humidity



Image 5.1: Detailed view of the intelligent controller, showing the display with current temperature and humidity, mode settings, and control buttons (Mode Setting, Up, Down, ECO Mode).



Image 5.2: Diagram illustrating the intelligent controller's programming capabilities and its ability to support two fans simultaneously.

6. MAINTENANCE

Regular maintenance ensures optimal performance and longevity of your exhaust fan.

- **Cleaning:** Periodically clean the fan blades and shutters to prevent dust and debris buildup, which can reduce airflow and efficiency. Disconnect power before cleaning. Use a soft cloth and mild detergent if necessary.
- **Motor:** The EC motor is permanently lubricated and requires no additional lubrication. Its enclosed design and thermal protection minimize maintenance needs.
- **Inspection:** Regularly inspect the power cord for any signs of damage. Check the mounting bolts to ensure they remain secure.

7. TROUBLESHOOTING

If you encounter issues with your VEVOR Shutter Exhaust Fan, refer to the following common problems and solutions:

- **Fan Not Turning On:**
 - Ensure the power cord is securely plugged into a working outlet.
 - Check if the controller is set to an active mode (e.g., Auto Mode with conditions met, or ON/Timer mode).
 - Verify there is power to the outlet by testing with another device.
- **Fan Running but Low Airflow:**
 - Check for dust or debris buildup on the fan blades or shutters. Clean as described in the Maintenance section.
 - Ensure the shutters are opening fully when the fan is operating.
 - Verify the fan speed setting on the controller is not too low.
- **Unusual Noise or Vibration:**
 - Ensure the fan is securely mounted and all bolts are tightened.
 - Check for any foreign objects obstructing the fan blades.
 - If the noise persists, contact customer support.

- **Controller Not Responding:**

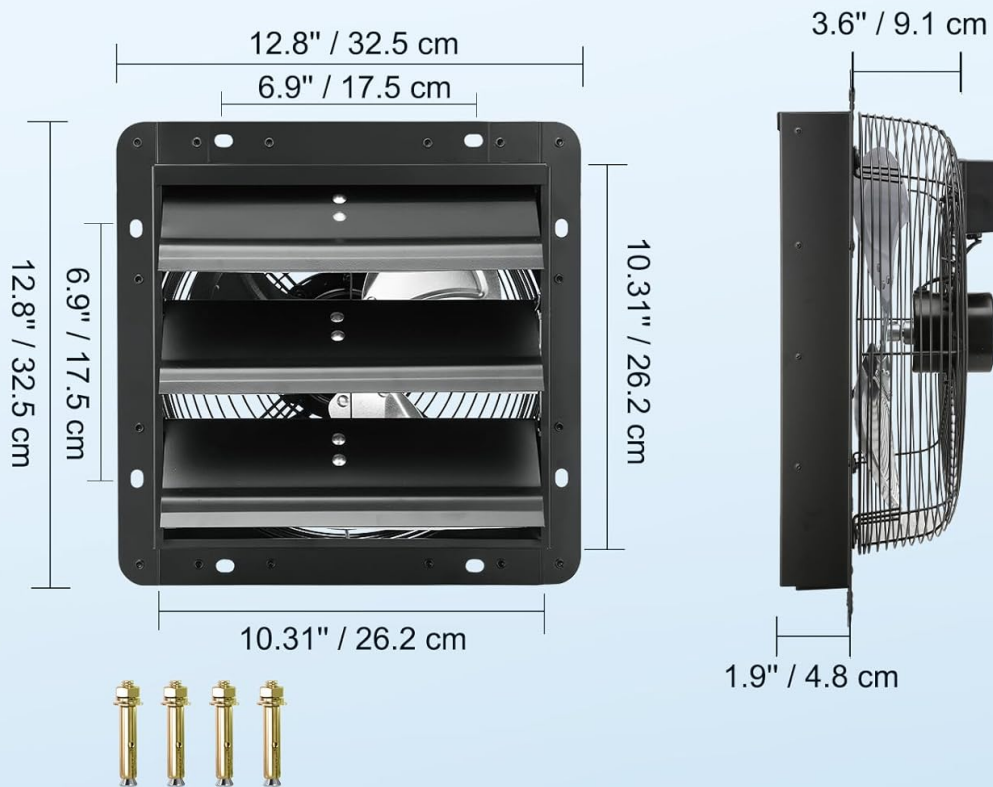
- Unplug the fan from the power source, wait a few minutes, and plug it back in to reset the controller.
- Ensure the controller cable is properly connected to the fan unit.

For issues not covered here, please contact VEVOR customer support.

8. SPECIFICATIONS

Detailed technical specifications for the VEVOR 10-Inch Shutter Exhaust Fan (Model 2023V-BK).

Feature	Specification
Model	2023V-BK
Fan Size	10 Inch
Product Dimensions (D x W x H)	5.5"D x 12.8"W x 12.8"H
Air Flow Capacity	820 CFM
Speed	1650 RPM
Wattage	15 Watts
Voltage	120V
Power Source	Corded Electric
Motor Type	EC Motor (Brushless)
Control Method	Remote (via Controller)
Number of Power Levels	10
Material	Aluminum Alloy / Powder-coated Steel
Item Weight	6.17 Pounds
Certification	ETL Listed
Indoor/Outdoor Usage	Indoor



Item Model Number
EF-10-ECG

Rotating Speed
1650 rpm

Air Volume
843 CFM

Color
Black

Weight
6.22 lbs / 2.82 kg

Material
Aluminum Alloy / Powder-coated Steel

Image 8.1: Dimensional drawing of the 10-inch exhaust fan with key measurements and a summary of specifications including model number, rotating speed, air volume, color, weight, and material.

9. WARRANTY AND SUPPORT

For warranty information, technical support, or service inquiries, please contact VEVOR customer support through their official website or the retailer where the product was purchased. Please have your model number (2023V-BK) and purchase date available when contacting support.