



Manuals.plus /

› PUKAMI /

› PUKAMI 70-inch Fireplace TV Stand with 36-inch Electric Fireplace (Model 70-MTTV) User Manual

PUKAMI 70-MTTV

PUKAMI 70-inch Fireplace TV Stand with 36-inch Electric Fireplace (Model 70-MTTV)

User Instruction Manual

1. INTRODUCTION

Thank you for choosing the PUKAMI 70-inch Fireplace TV Stand with a 36-inch Electric Fireplace. This manual provides essential information for the safe assembly, operation, and maintenance of your new entertainment center. Please read all instructions carefully before use and retain this manual for future reference.



Figure 1: PUKAMI 70-inch Fireplace TV Stand with electric fireplace and LED lighting.

2. IMPORTANT SAFETY INFORMATION

WARNING: To reduce the risk of fire, electric shock, or injury, read all instructions before using this appliance.

- The electric fireplace heater is designed to supplement heating in a room and is not intended as a primary heat source.
- Keep combustible materials such as furniture, pillows, bedding, papers, clothes, and curtains at least 3 feet (0.9m) from the front of the heater. Keep them away from the sides and rear as well.
- Ensure the product is placed on a stable, level surface to prevent tipping.
- Do not block air vents on the fireplace insert.
- Always unplug the unit from the power outlet before cleaning or performing any maintenance.
- Do not operate the fireplace with a damaged cord or plug, or if the heater malfunctions or has been dropped or damaged in any manner.

3. PACKAGE CONTENTS

Your PUKAMI Fireplace TV Stand will arrive in two separate packages, which may be delivered on different days. Please ensure you have received both packages and all components before beginning assembly.

Package 1: TV Stand Components

- Wooden panels for TV stand structure
- Hardware kit (screws, dowels, cam locks, etc.)
- LED light bar with remote control
- Soft-close hinges for cabinet doors

Package 2: Electric Fireplace Insert

- 36-inch Electric Fireplace Insert
- Fireplace remote control
- Decorative crystal media for fireplace bed

If any parts are missing or damaged, please contact customer support immediately.

4. PRODUCT SPECIFICATIONS

Attribute	Detail
Brand	PUKAMI
Model Name	70-MTTV
Product Dimensions	13.8"D x 70"W x 23"H
Material	Wood
Color	Black
Power Source	Corded Electric
Heat Output	1500 Watts (750W/1500W modes)
Heating Coverage	400 sq.ft
Special Features	Dimmer, LED Flame, Timer, TV Stand
Max TV Size Supported	Up to 80 inches
Item Weight	105 Pounds
Assembly	Assembly is required

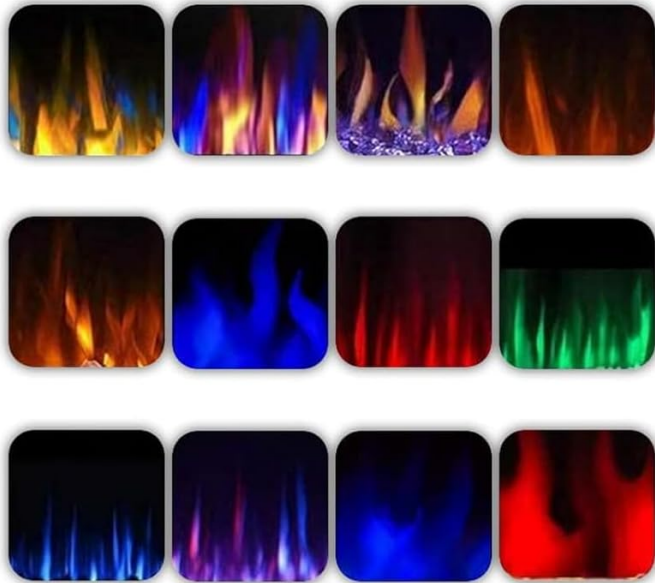
5. SETUP AND ASSEMBLY

Assembly is required for this product. It is recommended to have two people for assembly. Please follow the detailed instructions provided in the separate assembly guide included with your packages. Ensure all parts are present before starting.

Key Assembly Notes:

- Unpack both packages carefully and identify all components.
- Assemble the TV stand frame first, ensuring all connections are secure.

- Integrate the 36-inch electric fireplace insert into the designated central opening.
- Install the LED light bar in the specified areas, typically under shelves or within compartments.
- For cabinet doors, note that some units may require pre-drilling holes for hinge installation if not pre-marked. Refer to the installation video for guidance on door installation.



Sparkling-Crystal

Sparkling crystal cannot be hidden in your eyes



12 Flame-Colors & Led Bed Colors



Figure 2: Dimensions of the PUKAMI 70-inch Fireplace TV Stand and electric fireplace insert.

6. OPERATING INSTRUCTIONS

Your PUKAMI Fireplace TV Stand features an electric fireplace and an LED light bar, both controllable via remote or touch screen.

6.1 Electric Fireplace Operation

The 36-inch electric fireplace offers various settings for ambiance and warmth.

- **Power On/Off:** Use the power button on the remote or touch panel to turn the fireplace on or off.
- **Heat Settings:** Choose between 750W and 1500W modes for heating. The powerful heating element can warm rooms up to 400 square feet.

- **Flame Colors:** Select from 12 customizable flame colors to match your mood or decor.
- **Flame Brightness & Speed:** Adjust the flame brightness with five adjustable levels and control the flame speed.
- **Timer:** Set a timer for 1 to 8 hours for automatic shut-off.
- **Sleep Mode:** Activate sleep mode for reduced light and quiet operation.



Figure 3: Remote control functions for the electric fireplace.



Figure 4: The electric fireplace provides warmth and ambiance.

Your browser does not support the video tag.

Video 1: Demonstration of the fireplace's color-changing features and heating function, along with a discussion on assembly.

6.2 LED Light Bar Operation

The integrated LED light bar enhances the aesthetic of your TV stand.

- **Color Options:** Choose from 16 different colors.
- **Light Modes:** Select from 4 different light modes (e.g., static, flash, fade).
- **Control:** Adjust the LED strip's function and color using the dedicated remote control.



**TURN
ON**



16 Color LED Lights System

Comes with 16 colors and 4 flash effects for party lovers.
Adjustable dynamic mode with color control and on-off remote



Figure 5: The 16-color LED light system for customizable ambiance.

6.3 Storage and Cable Management

The TV stand provides ample storage and convenient cable management.

- **Storage Cabinets:** Two cabinets offer enclosed space for entertainment accessories.
- **Open Shelving:** The spacious tabletop and open compartments provide space for media devices, decorative items, and books.
- **Cable Holes:** Designed in the back panel for stowing away cables and maintaining a tidy appearance.
- **Soft-Close Hinges:** Cabinet doors are equipped with soft-close hinges for quiet and gentle operation.

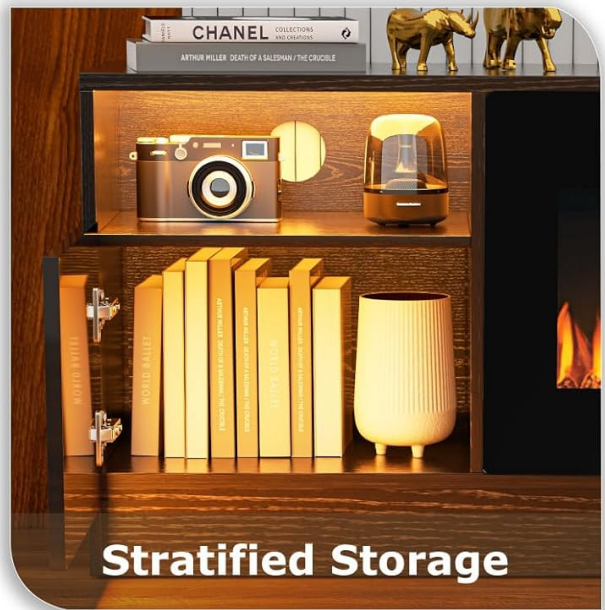


Figure 6: Stratified storage compartments for organization.



Figure 7: Integrated cable management system.

The product comes with two separate packages
(Fireplace insert and TV Stand)

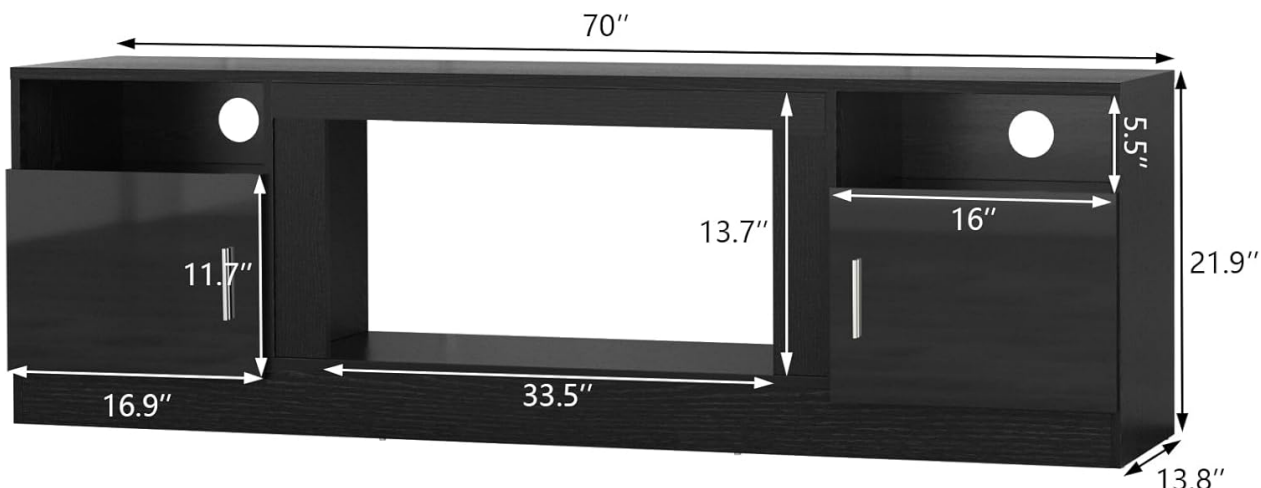


Figure 8: Soft-close hinges for quiet cabinet door operation.

Your browser does not support the video tag.

Video 2: Overview of the fireplace entertainment center in operation.

7. MAINTENANCE

Regular maintenance will ensure the longevity and optimal performance of your TV stand and electric fireplace.

- **Cleaning:** Dust the TV stand surfaces with a soft, dry cloth. For the fireplace glass, use a glass cleaner and a soft cloth. Do not use abrasive cleaners.
- **Electrical Components:** Periodically check the power cord and plug for any signs of damage. Ensure the fireplace air vents are clear of dust and debris.
- **General Care:** Avoid placing hot items directly on the wood surface. Use coasters or protective pads.

8. TROUBLESHOOTING

If you encounter any issues, refer to the following common problems and solutions:

- **Fireplace Not Turning On:**

- Ensure the power cord is securely plugged into a working outlet.
- Check if the main power switch on the fireplace unit is in the 'ON' position.
- Replace batteries in the remote control if it's unresponsive.

- **No Heat Output:**

- Verify that the heat function is activated on the remote or touch panel.
- Ensure the air vents are not obstructed.

- **LED Lights Not Working:**

- Check the connection of the LED light bar to its power source.
- Ensure the LED remote control batteries are functional.

- **Cabinet Doors Not Closing Properly:**

- Re-check hinge alignment and adjustment. If doors were self-installed, ensure pilot holes were drilled accurately.

For persistent issues, please contact customer support.

9. WARRANTY AND SUPPORT

The PUKAMI 70-inch Fireplace TV Stand comes with a **Limited Warranty**. Please refer to the warranty card included in your package for specific terms and conditions.

For technical support, replacement parts, or warranty claims, please contact PUKAMI customer service through the retailer where the product was purchased or visit the official PUKAMI website.