

Manuals+

[Q & A](#) | [Deep Search](#) | [Upload](#)

Manuals.plus /

- › [Golpart](#) /
- › Golpart Heavy Duty Clothes Rack Rolling Garment Rack User Manual

Golpart

Golpart Heavy Duty Clothes Rack Instruction Manual

Model: EA_401B | ASIN: B0C77L3B76

1. INTRODUCTION

Thank you for choosing the Golpart Heavy Duty Clothes Rack. This versatile and robust storage solution is designed to help you organize your garments efficiently. Featuring a 3-tier adjustable wire shelving system, double hanging rods, and side hooks, this freestanding metal rack offers ample space and mobility for various settings, including bedrooms, cloakrooms, laundry rooms, and more. Please read this manual thoroughly before assembly and use to ensure proper installation and safe operation.

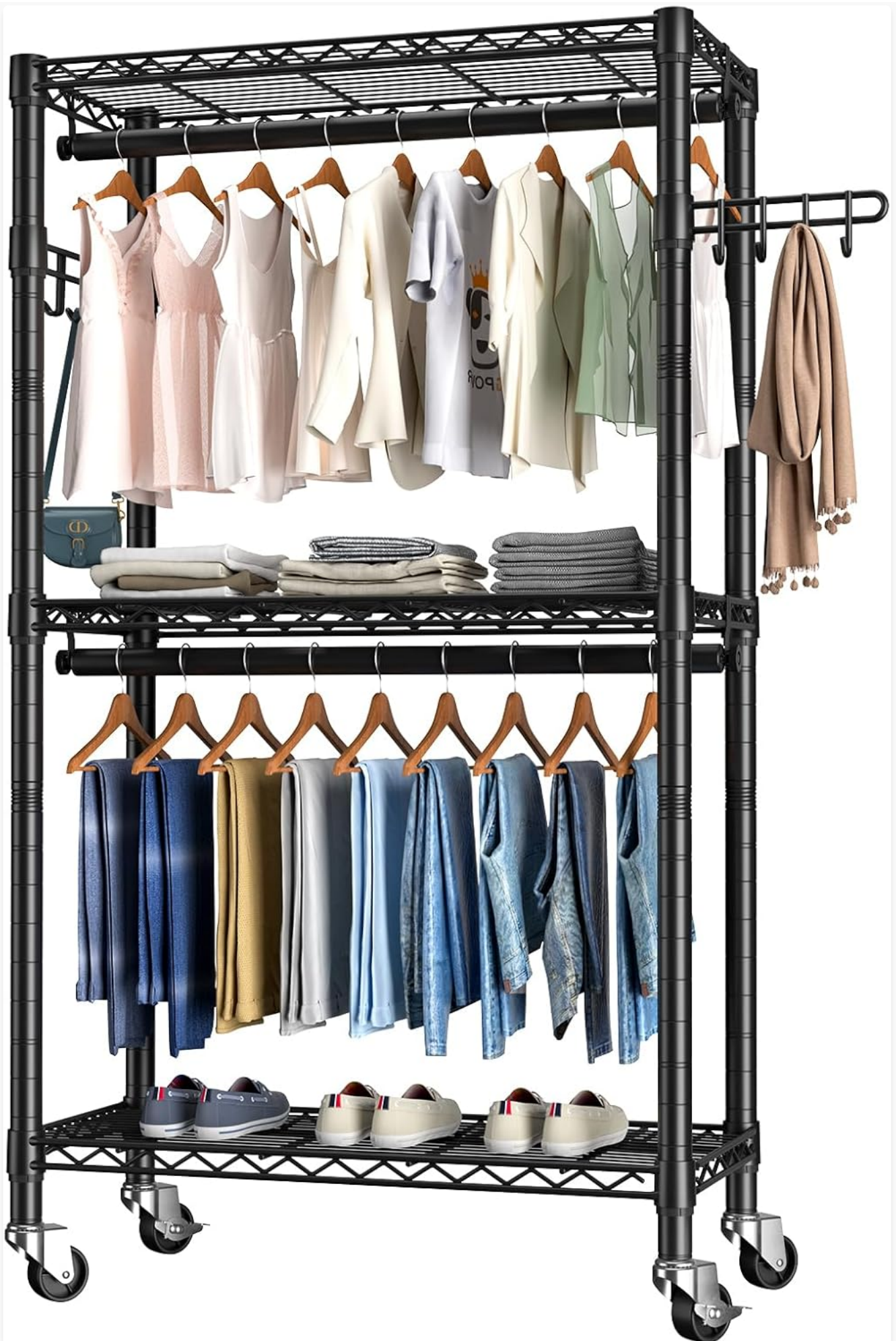


Figure 1: The Golpart Heavy Duty Clothes Rack in use, showcasing its storage capacity for various garments and accessories.

2. SAFETY INSTRUCTIONS

WARNING: Failure to follow these safety instructions may result in injury or damage to the product.

- Do not exceed the maximum weight capacity: Each metal shelf supports up to 120 lbs, hanging rods up to 80 lbs, and side hooks up to 20 lbs. The total distributed capacity is 360 lbs. Overloading can cause the rack to collapse.
- Ensure all connections are securely fastened before use. Regularly check for loose parts.
- Keep children and pets away from the assembly area. Small parts can be a choking hazard.
- Use the locking wheels when the rack is in a stationary position to prevent accidental movement.
- Do not climb on or hang from the rack.
- Assemble on a flat, stable surface to prevent tipping.
- Avoid placing the rack in areas with extreme temperatures or high humidity to prevent material degradation.

3. PACKAGE CONTENTS

Please verify that all components are present and undamaged before beginning assembly. If any parts are missing or damaged, contact customer support.

Component	Quantity	Description
Rolling Wheels	4	For mobility, two are lockable.
Metal Connection Pipes	12	Vertical support poles for the rack structure.
Hanging Rods	2	For hanging clothes with hangers.
Wire Shelves	3	Adjustable shelves for folded items, shoes, or boxes.
Plastic Hooks	4	Side hooks for bags, scarves, or other accessories.
Plastic Clips	Included	Used to secure shelves to the poles.

4. ASSEMBLY INSTRUCTIONS

Follow these steps carefully for a smooth assembly process. No complex tools are required.

1. **Attach Wheels:** Screw the four rolling wheels into the bottom of the four main vertical poles. Ensure two of the wheels are the lockable type and are positioned on the same side for easier locking.
2. **Install Bottom Shelf:** Attach plastic clips to the grooves on the lower section of the poles where you want the bottom shelf to be. Ensure the arrow on the plastic clips points upwards. Slide the first wire shelf down onto the clips until it firmly rests. You may need to gently tap the shelf with a rubber mallet to ensure it is securely fastened to the poles.
3. **Assemble Middle Poles:** Connect the middle sections of the vertical poles to the top of the bottom poles. Ensure they are securely fitted.
4. **Install Middle Shelf and Rods:** Attach plastic clips for the middle shelf at your desired height. Place the second wire shelf onto these clips. Install the first hanging rod between the poles above this middle shelf.
5. **Assemble Top Poles:** Connect the top sections of the vertical poles.

6. **Install Top Shelf and Rods:** Attach plastic clips for the top shelf and place the third wire shelf. Install the second hanging rod below the top shelf.

7. **Attach Side Hooks:** Secure the plastic hooks to the side of the poles as desired.

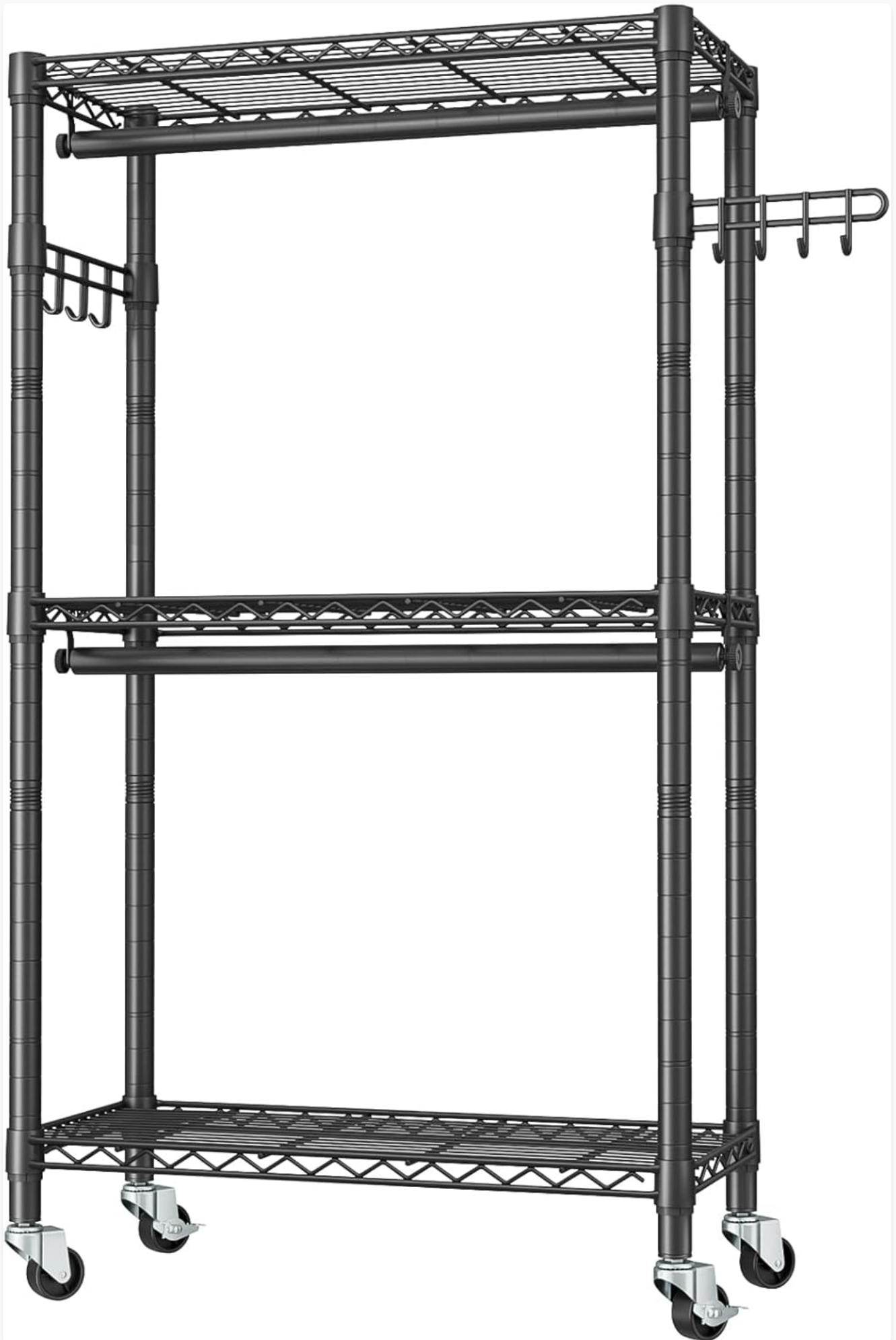


Figure 2: The assembled rack structure before loading.

Your browser does not support the video tag.

Video 1: Detailed installation guide for the clothes rack with double hanging rods. This video demonstrates the step-by-step assembly process, including attaching wheels, securing shelves with plastic clips, and installing hanging rods.

5. OPERATION AND USE

- **Adjusting Shelves:** The wire shelves are adjustable. To change a shelf's height, remove all items from the shelf, lift the shelf off its current plastic clips, reposition the clips to the desired height on the poles (ensuring they are level), and then place the shelf back onto the clips.
- **Mobility:** The rack is equipped with four 360° rotating wheels for easy movement. To move the rack, unlock the two lockable wheels by flipping their levers. Once in the desired position, engage the wheel locks to secure the rack in place.
- **Hanging Rods:** Utilize the two hanging rods for shirts, dresses, coats, and other hanging garments. Distribute weight evenly to maintain stability.
- **Side Hooks:** The four plastic side hooks provide additional storage for accessories such as bags, scarves, hats, or belts.
- **Top Shelf:** The top shelf offers extra space for storage boxes, luggage, or other items.

Get Storage Space Enlarged



Extra Space on the Top



2 Hanging Rods for Clothes



2 Storage shelves & Extra Space for Shoes

Figure 3: Illustration of the rack's expanded storage capabilities, including the top shelf, two hanging rods, and two storage shelves for shoes and other items.

Your browser does not support the video tag.

Video 2: A brief overview of the Heavy Duty Clothes Rack, demonstrating its mobility with 360-degree wheels and the functionality of its various storage tiers and hanging options.

6. CARE AND MAINTENANCE

- **Cleaning:** Wipe down the metal surfaces with a soft, damp cloth. For stubborn dirt, a mild soap solution can be used, followed by drying thoroughly to prevent water spots. Avoid abrasive cleaners or harsh chemicals.
- **Rust Prevention:** The rack is coated to resist water and rust. However, prolonged exposure to moisture should be avoided. If used in a humid environment, ensure good ventilation.
- **Regular Inspection:** Periodically check all connections, screws, and plastic clips to ensure they remain tight and secure. Tighten any loose components as needed.
- **Wheel Maintenance:** Keep the wheels free of debris to ensure smooth rolling. If wheels become stiff, clean them and apply a small amount of silicone lubricant if necessary.

7. TROUBLESHOOTING

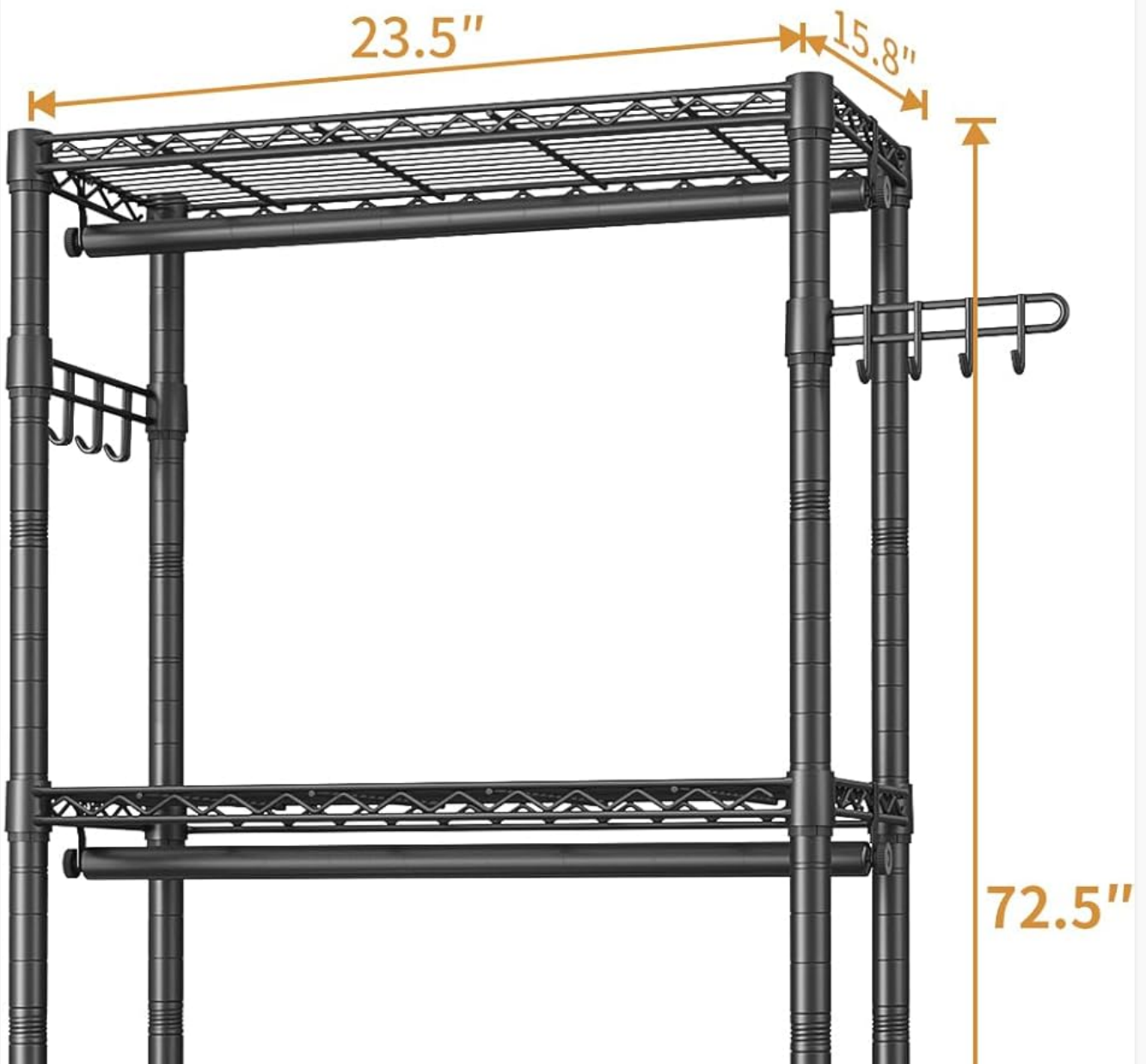
Problem	Possible Cause	Solution
Rack is wobbly or unstable.	Loose connections; uneven weight distribution; not on a flat surface.	Ensure all poles are fully inserted and shelves are securely seated on clips. Distribute items evenly. Move to a flat, level surface.
Wheels do not roll smoothly.	Debris in wheels; wheels locked.	Clean any hair or debris from the wheel axles. Unlock the wheels if they are engaged.
Shelf slides down after assembly.	Plastic clips not properly installed or damaged.	Ensure plastic clips are fully snapped onto the pole grooves with the arrow pointing up. Replace damaged clips if necessary.
Clothes on hanging rods touch the shelf below.	Shelf positioned too high for garment length.	Adjust the height of the lower shelf to accommodate the length of your hanging garments.

8. SPECIFICATIONS

Feature	Detail
Brand	Golpart
Model Number	EA_401B
Dimensions (D x W x H)	15.75" x 23.5" x 72.45" (40 x 60 x 184 cm)
Item Weight	7.2 kg (approx. 15.87 lbs)
Material	Metal (Black-coated iron pipe)

Feature	Detail
Number of Tiers	3
Hanging Rods	2
Side Hooks	4
Individual Shelf Capacity	120 lbs
Hanging Rod Capacity	80 lbs
Side Hook Capacity	20 lbs
Total Distributed Capacity	360 lbs
Wheels	4 (two 360° rotating, two lockable)
Installation Method	Free Standing

Weight Capacity: 360 LBS



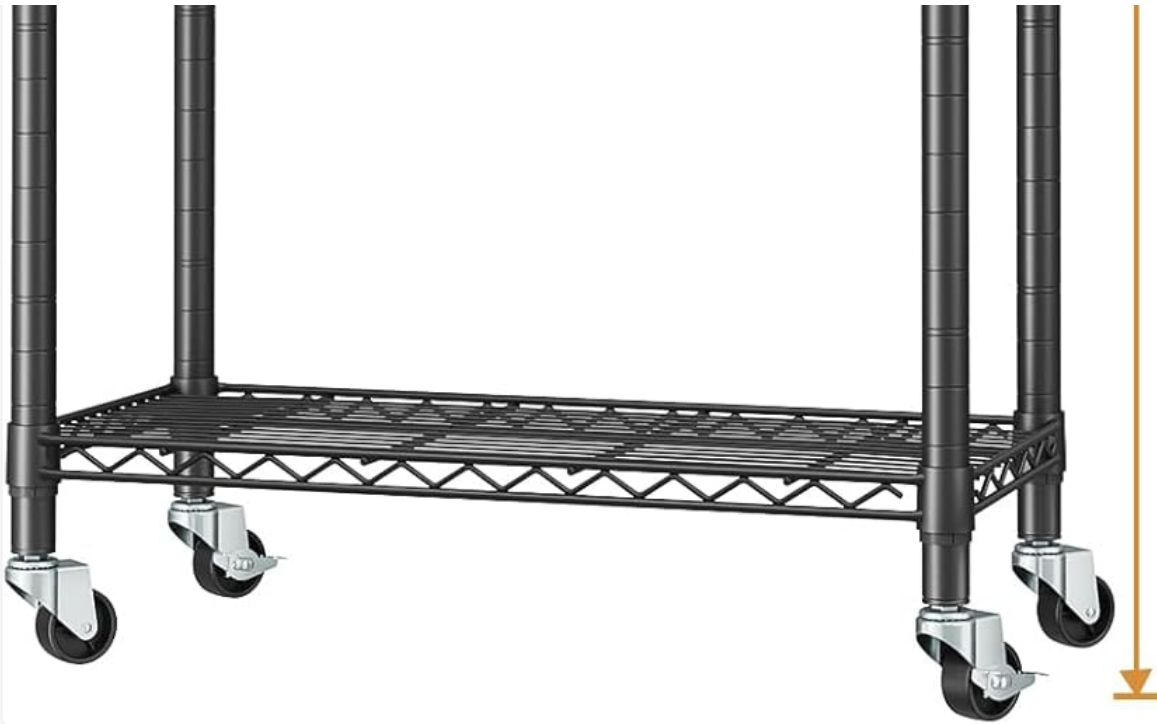


Figure 4: Detailed dimensions of the Golpart Heavy Duty Clothes Rack.

9. WARRANTY AND SUPPORT

Golpart products are manufactured to high-quality standards. For any questions, missing parts, or issues with your product, please contact Golpart customer support. Keep your purchase receipt as proof of purchase for any warranty claims.

For further assistance, please refer to the contact information provided with your purchase or visit the official Golpart website.