

[Manuals.plus](#) /

> [LKTART](#) /

> LKTART Solid Wood Console Table (42-inch, Navy Blue) - Instruction Manual

LKTART Console Table

LKTART Solid Wood Console Table (42-inch, Navy Blue) - Instruction Manual

1. PRODUCT OVERVIEW

This manual provides essential information for the assembly, operation, and maintenance of your LKTART Solid Wood Console Table. Please read these instructions carefully before beginning assembly or use.

Product Description

The LKTART Solid Wood Console Table is a versatile furniture piece designed for entryways, hallways, or living spaces. It features a durable solid wood construction, two storage drawers, and two open shelves for display and organization. The table measures 42.01 inches in length, 13.78 inches in width, and 29.92 inches in height, and is finished in Navy Blue.



Image 1.1: Front view of the LKTART Solid Wood Console Table in Navy Blue, showcasing its two drawers and two open shelves, adorned with decorative items.

2. SAFETY INFORMATION

WARNING: This product requires proper assembly to ensure stability. Do not exceed the maximum weight recommendation of 250 pounds to prevent tipping or collapse. Ensure all connections are secure before use.

- Keep small parts away from children during assembly.
- Assemble on a soft, clean surface to prevent scratches.
- Do not stand or climb on the table.
- Distribute weight evenly on shelves and tabletop.

3. SETUP: ASSEMBLY INSTRUCTIONS

Included Components

- Console Table Top with pre-assembled drawers
- Table Legs
- Shelf Partitions

- Hardware (screws, bolts, etc.)
- Assembly Guide

Recommended Tools

- Screwdriver (all necessary assembly tools are included)

Assembly Steps

The console table is designed for easy assembly. The drawer and top part are shipped pre-assembled. You only need to install the table legs and the shelf partitions.

1. Carefully unpack all components and verify against the parts list in the included Assembly Guide.
2. Attach the table legs to the pre-assembled table top using the provided hardware. Ensure they are securely fastened.
3. Insert and secure the shelf partitions between the legs at the designated positions.
4. Tighten all screws and bolts, but do not overtighten.
5. Place the table in its desired location.

It is recommended that **two people** perform the assembly for ease and safety.

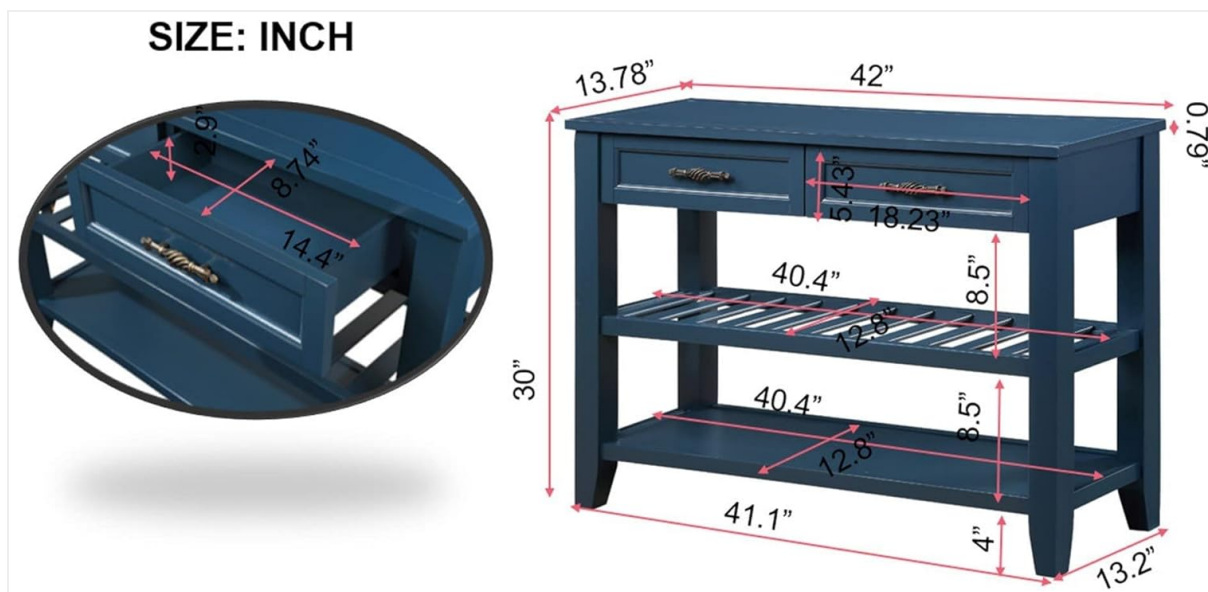


Image 3.1: Detailed dimensions of the console table, illustrating overall size and internal measurements of drawers and shelves.

4. OPERATING: USAGE GUIDELINES

Weight Capacity

- **Tabletop:** Maximum bearing capacity of 220 lbs.
- **Single Drawer:** Maximum bearing capacity of 17 lbs.
- **Two Open Shelves:** Combined maximum bearing capacity of 66 lbs.

Do not exceed these weight limits to ensure the stability and longevity of the table.

Storage and Display

- Use the two drawers for storing smaller items such as keys, mail, or personal accessories.
- The two open shelves are suitable for displaying decorative items, books, or storage baskets.



2

Drawers

For storing daily necessities or files and so on to ensure your home clean and tidy



Table Linens



Notebook



Gloves



2 Layers Shelves

Meet the requirements of placing storage basket, books, pot culture, etc.

Image 4.1: Illustration of the console table's storage capabilities, highlighting the drawers for daily necessities and shelves for books or decorative items.

5. CARE AND MAINTENANCE

- **Cleaning:** Wipe the table surface with a soft, damp cloth. Avoid using harsh chemicals or abrasive cleaners, as these can damage the finish.
- **Spills:** Clean spills immediately to prevent staining, especially on the painted surfaces.
- **Sunlight:** Avoid prolonged exposure to direct sunlight to prevent fading or discoloration of the wood finish.
- **Heat and Moisture:** Protect the surface from extreme heat and moisture. Use coasters under hot or wet items.
- **Inspection:** Periodically check all hardware connections and tighten if necessary to maintain stability.

6. TROUBLESHOOTING

If you encounter any issues with your console table, please refer to the following common solutions:

- **Wobbling Table:** Ensure all legs are evenly placed on the floor. Check and tighten all assembly screws and bolts.

- **Drawers Sticking:** Verify that the drawer slides are clean and free of debris. Ensure the table is on a level surface. If issues persist, gently apply a small amount of furniture wax or silicone spray to the drawer runners.
- **Scratches/Dents:** For minor imperfections, touch-up pens or furniture repair kits matching the Navy Blue finish can be used.

For further assistance, please contact customer support.

7. PRODUCT SPECIFICATIONS

Feature	Detail
Brand	LKTART
Model Number	Console Table
Color	Navy Blue
Product Dimensions (D x W x H)	42.01" x 13.78" x 29.92"
Item Weight	91 Pounds
Frame Material Type	Pine Wood
Top Material Type	Pine Wood
Base Material	Pine Wood
Handle Material	Wood
Number of Drawers	2
Maximum Weight Recommendation (Tabletop)	250 Pounds
Maximum Weight Recommendation (Single Drawer)	17 Pounds
Maximum Weight Recommendation (Shelves)	66 Pounds (combined)
Indoor/Outdoor Usage	Indoor
Assembly Required	Yes (partial)
Recommended Number of People for Assembly	2
Included Components	Assembly Guide, Hardware

8. WARRANTY AND CUSTOMER SUPPORT

Returns Policy

This product is eligible for 30-day easy returns. Please refer to the retailer's return policy for detailed information.

Customer Support

For any questions, concerns, or assistance with your LKTART Solid Wood Console Table, please contact LKTART-Furniture customer support through your purchase platform. They are available to provide support and address any product-related inquiries.

