

## KIMISS S866

# KIMISS S866 Ebike LCD Display Meter: User Manual

## INTRODUCTION

---

The KIMISS S866 Ebike LCD Display Meter provides essential information for your electric bicycle. This display is engineered for ease of use and durability, ensuring a clear view of your riding data in various conditions.

Key features include a lightweight and waterproof ABS construction, a large backlit screen for enhanced visibility, and compatibility with 22.2mm handlebars. It supports 24V, 36V, and 48V electric bicycle systems, offering a reliable interface for your ebike.



Figure 1: Front and back view of the KIMISS S866 Ebike LCD Display Meter.

## SETUP INSTRUCTIONS

The S866 LCD display is designed for straightforward installation on your electric bicycle.

1. **Mount the Display:** Attach the display to your bicycle's 22.2mm handlebars using the integrated bracket. Ensure it is securely fastened and positioned for optimal viewing during your ride.

Line length:21cm/8.3in



Figure 2: Display dimensions. The display measures approximately 8cm (3.1in) in length, 4.8cm (1.9in) in width, and the cable length is 21cm (8.3in). The handlebar clamp diameter is 2.22cm (0.9in).

2. **Connect the Wiring:** Locate the waterproof plug on the display cable. Connect this plug to the corresponding port on your ebike's controller. Ensure the connection is firm and fully seated to maintain its waterproof integrity.



Figure 3: Waterproof connector pinout. This diagram illustrates the connections for the waterproof plug, including the meter earth wire, meter wire, meter data transmission line, meter data receiving line, and the wire of the controller.

3. **Verify Communication Protocol:** Before initial use, confirm that your ebike's communication protocol matches the display's protocol (Protocol No. 2). Incompatibility may prevent proper function and data display.

## OPERATING INSTRUCTIONS

The S866 display offers intuitive control and clear data presentation for an enhanced riding experience.

- **Power On/Off:** To power on or off the display, press and hold the central power button (marked with a power symbol) for a few seconds.
- **Adjust Settings/View Data:** Use the '+' and '-' buttons to navigate through different display modes or adjust settings such as assist levels. The large LCD screen provides an intuitive view of essential data including speed, distance, battery level, and assist mode.
- **Backlight:** The integrated backlight ensures the screen is clearly visible even in low-light or dark environments, enhancing readability at all times.



Figure 4: Front view of the display, showing speed, assist level, battery indicator, and trip distance.



Made of ABS material, lightweight,  
waterproof and durable  
Comes with LCD screen bracket  
for 22.5mm handlebars  
LCD screen clearly shows status and data  
Backlight allows you to see the  
screen clearly in low light



Figure 5: The S866 display mounted on a bicycle handlebar, demonstrating its ergonomic placement for easy viewing.

## MAINTENANCE

---

To ensure the longevity and optimal performance of your KIMISS S866 Ebike LCD Display Meter, follow these maintenance guidelines:

- **Cleaning:** Wipe the display screen and body with a soft, damp cloth. Avoid abrasive cleaners, solvents, or harsh chemicals that could damage the ABS material or screen surface.
- **Water Resistance:** The display is IP65 rated for water resistance. While it is protected against splashes and light rain, avoid submerging it in water for extended periods or exposing it to high-pressure water jets.
- **Storage:** When not in use for extended periods, store the display in a dry, cool place away from direct sunlight and extreme temperatures.
- **Connection Check:** Periodically inspect the waterproof plug connection for any signs of wear, corrosion, or looseness to ensure a reliable connection.

## TROUBLESHOOTING

---

If you encounter issues with your S866 Ebike LCD Display Meter, refer to the following common troubleshooting steps:

- **Display Not Powering On:**
  - Ensure the display is correctly connected to your ebike's power source.
  - Check the battery level of your ebike to confirm sufficient power supply.
- **No Data Displayed or Incorrect Readings:**
  - Verify that the communication protocol between the display and your ebike controller is compatible (Protocol No. 2).
  - Check all wiring connections for looseness, damage, or improper seating.
  - If applicable, ensure all external sensors (e.g., speed sensor) are properly installed and calibrated according to your ebike's manual.

For persistent issues not resolved by these steps, please contact customer support.

## SPECIFICATIONS

---

Feature	Detail
Product Type	LCD Display S866
Material	ABS
Color	Black
Waterproof Rating	IP65
Communication Protocol	Protocol No. 2
Compatible Voltage	24V, 36V, 48V
Weight	Approx. 106g (3.7oz)
Handlebar Bracket Diameter	Approx. 22.2 mm (0.9 inches)

Package Dimensions	10.5 x 8 x 6.9 cm
Model Number	KIMISSbgvgriydc6

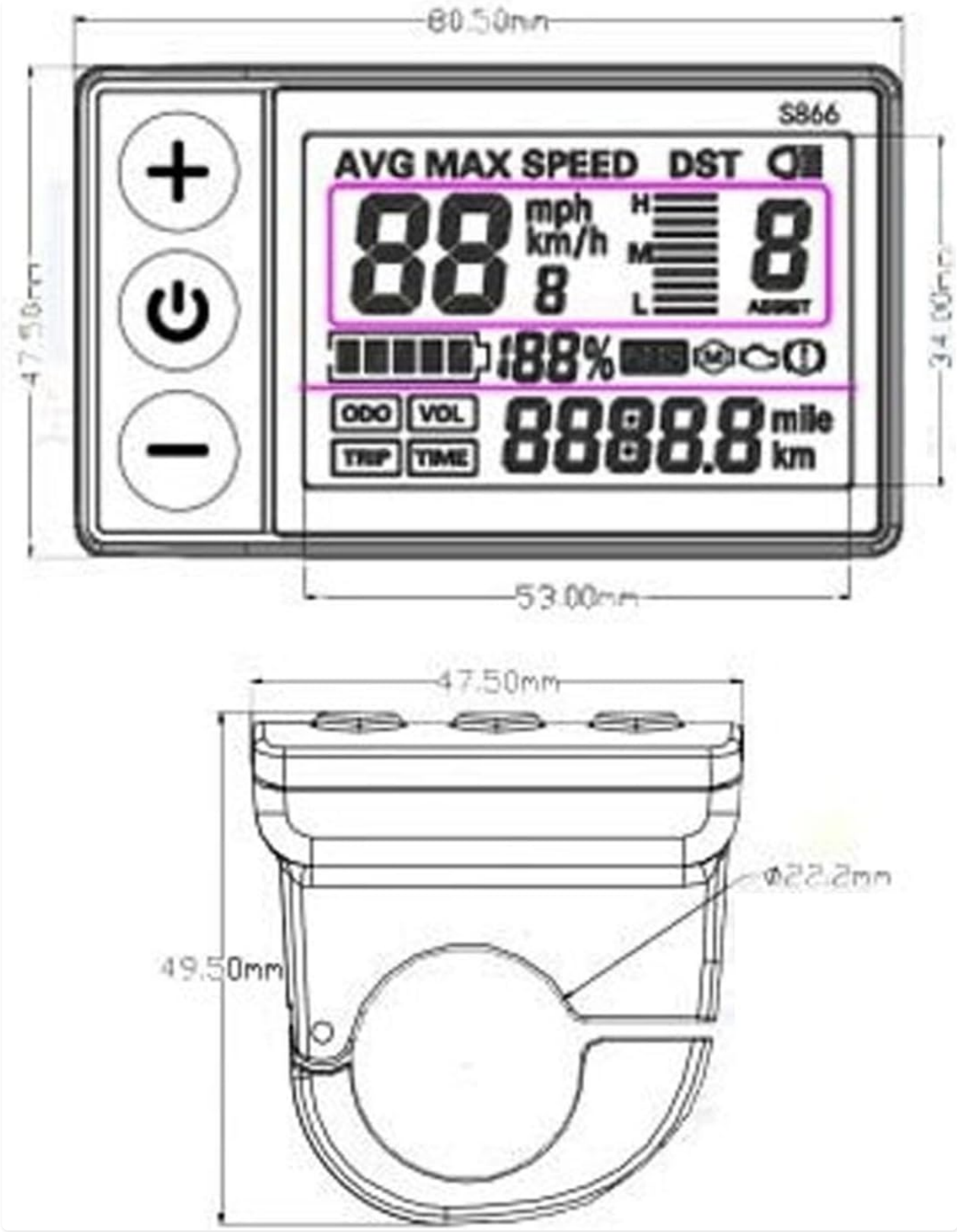


Figure 6: Technical drawing of the S866 display, showing detailed dimensions and screen information layout.

## WARRANTY INFORMATION

KIMISS products are typically covered by a standard manufacturer's warranty. Please refer to your purchase documentation, such as the product packaging or retailer's website, for specific warranty terms and conditions,

including coverage duration and claim procedures. It is recommended to retain your proof of purchase for any warranty claims.

## **CUSTOMER SUPPORT**

---

For technical assistance, product inquiries, or warranty support regarding your KIMISS S866 Ebike LCD Display Meter, please contact KIMISS customer service. You can typically find contact information through the retailer where you purchased the product or by visiting the official KIMISS website.