



[Manuals.plus](#) /

> [GESIPOR](#) /

> Gesipor 24"x19" Wall-Mount Stone Resin Bathroom Sink Instruction Manual (Model G2419S)

GESIPOR G2419S

Gesipor 24"x19" Wall-Mount Stone Resin Bathroom Sink Instruction Manual

Model: G2419S

INTRODUCTION

This manual provides detailed instructions for the installation, operation, and maintenance of your Gesipor 24"x19" Wall-Mount Stone Resin Bathroom Sink. Please read these instructions carefully before beginning installation or use to ensure proper function and longevity of your product.

The Gesipor G2419S sink is designed for modern bathrooms, offering a sleek, space-saving solution. Its solid white stone resin construction provides a smooth, durable, and easy-to-clean surface. This sink supports both wall-mount and countertop installation methods.



Figure 1: Gesipor 24"x19" Wall-Mount Stone Resin Bathroom Sink.

SETUP AND INSTALLATION

Self-assembly is required. Refer to the included installation manual and diagrams for precise measurements and steps. Professional installation is recommended for optimal results.

Package Contents

Before installation, verify that all components are present:

- 1 x Bathroom Sink
- 1 x Bottle Trap
- Hardware required for installation (brackets, screws, etc.)

Note: A faucet for the 1.37-inch faucet hole must be purchased separately.

What's in the package



Figure 2: Package Contents. Includes sink, bottle trap, and hardware. Faucet is sold separately.

Dimensions

Ensure adequate space and proper measurements before installation. The sink dimensions are approximately 23.62 inches (width) x 18.89 inches (depth) x 5.9 inches (height).

DIMENSIONS



MODEL: 2419S

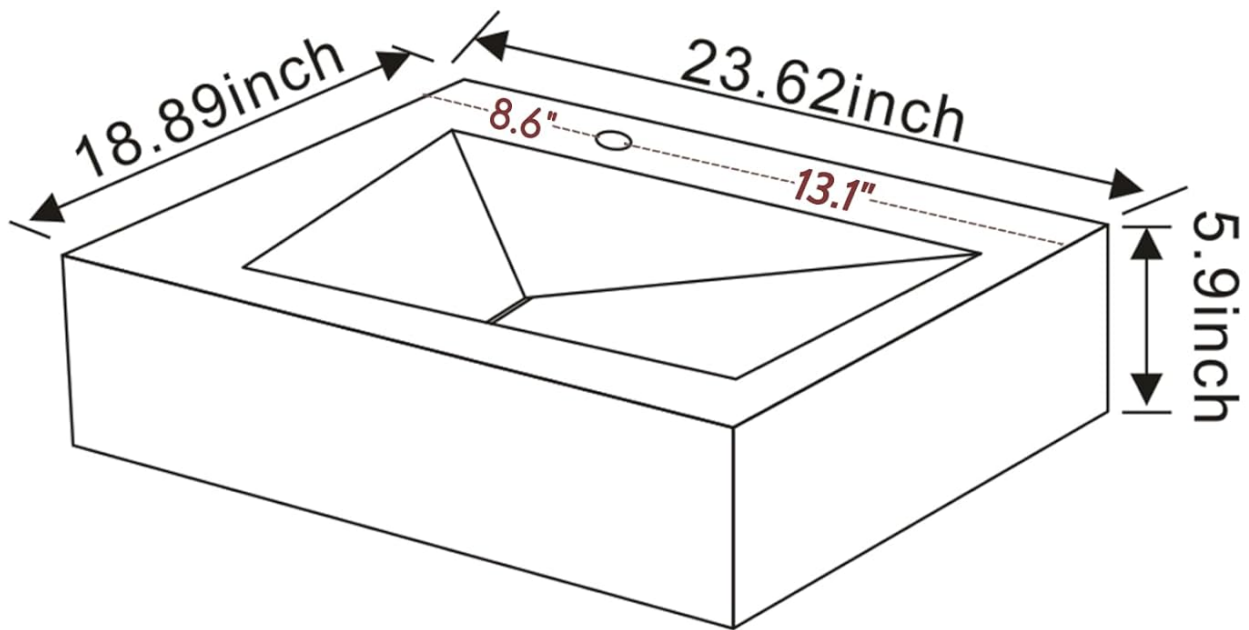


Figure 3: Sink Dimensions (Model G2419S).

Installation Steps

The sink can be installed as a wall-mount or countertop vessel. The installation manual provides specific details for adjusting the height and securing the sink.

1. **Prepare the Wall:** Identify suitable mounting points. For wall-mount installations, ensure the wall structure can support the sink's weight (approximately 54 pounds).
2. **Mounting Brackets:** Secure the provided mounting brackets to the wall according to the installation guide's measurements. Pay close attention to the mounting distance of the brackets.
3. **Position the Sink:** Carefully place the sink onto the mounted brackets.
4. **Connect Plumbing:** Install the bottle trap and connect the water supply lines and drain. Ensure all connections are watertight.
5. **Install Faucet:** Mount your chosen faucet into the 1.37-inch faucet hole.
6. **Seal Edges:** Apply a silicone sealant around the edges where the sink meets the wall or countertop to prevent water infiltration.

Figure 4: Excerpt from the Installation Guide, showing parts and mounting details.

Your browser does not support the video tag.

Video 1: Overview of the Gesipor wall-mount sink in a bathroom setting, demonstrating its design and potential for a double-layer setup

with a shelf.

OPERATING INSTRUCTIONS

The Gesipor bathroom sink functions as a standard basin for washing. Ensure the faucet is properly installed and connected to water lines. The unique V-shaped design of the basin facilitates faster water drainage and prevents water accumulation.

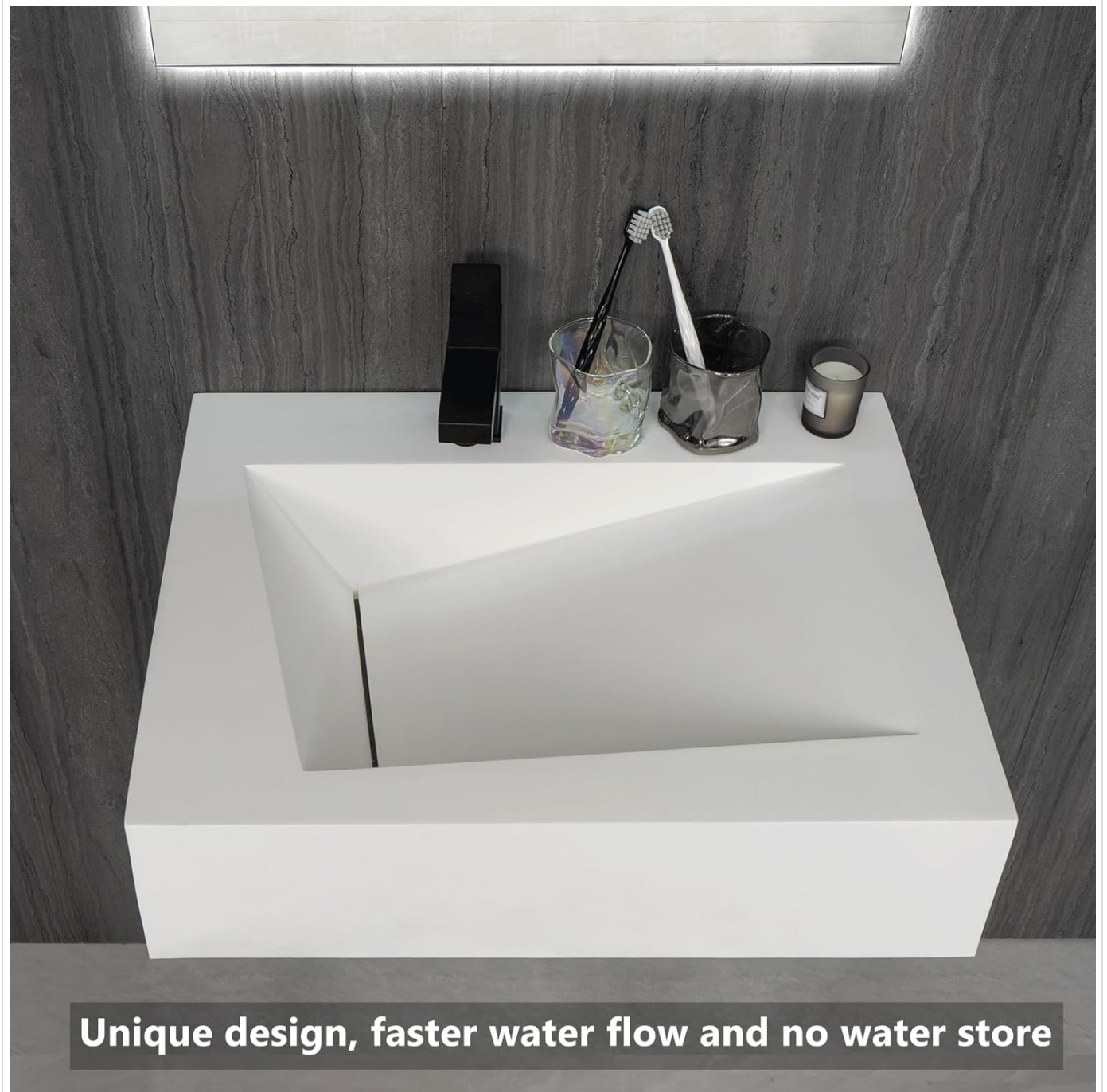


Figure 5: Unique V-shaped basin design for efficient water flow.

MAINTENANCE AND CARE

To maintain the appearance and durability of your stone resin sink, follow these care instructions:

- **Cleaning:** Wipe the sink with a damp cloth regularly. For deeper cleaning, use a mild, non-abrasive cleaner. Avoid harsh chemicals, abrasive pads, or strong acids/alkalis, as these can damage the resin surface.

- **Stain Prevention:** The stone resin material is designed to be resistant to bleeding and staining. However, promptly clean up any spills of strong dyes or chemicals to prevent potential discoloration.
- **Avoid Impact:** While durable, avoid dropping heavy objects into the sink, which could cause chips or cracks.
- **Temperature:** Avoid pouring extremely hot liquids directly into the sink, as extreme temperature changes can affect the material over time.

TROUBLESHOOTING

Problem	Possible Cause	Solution
Water Leakage	Loose plumbing connections, improperly sealed drain, crack in the sink basin.	Check all plumbing connections for tightness. Ensure the drain assembly is correctly installed and sealed. Inspect the sink for visible cracks; if found, contact customer support.
Sink Separation from Wall	Improper installation of mounting brackets, insufficient wall support, incorrect hardware used for wall type.	Re-evaluate the mounting bracket installation. Ensure the wall structure can adequately support the sink's weight. Use appropriate anchors and fasteners for your specific wall material (e.g., concrete, drywall with studs). Professional re-installation may be necessary.
Cracks Appearing on Sink Surface	Impact damage, improper handling during storage or installation, extreme temperature fluctuations.	Handle the sink with care. Avoid dropping heavy objects. Ensure the sink is not exposed to extreme temperature changes. For existing cracks, contact customer support for repair options or replacement.
Slow Drainage	Clogged bottle trap or drain pipe.	Inspect and clean the bottle trap for any debris or blockages. If the issue persists, check the main drain pipe.

SPECIFICATIONS

Feature	Detail
Brand	GESIPOR
Model Number	G2419S
Color	Matte White
Material	Resin
Product Dimensions (D x W x H)	18.89" x 23.62" x 5.9"
Style	Modern
Installation Type	Wall-Mount (also supports Countertop)
Finish Type	Brushed
Shape	Rectangular
Drain Type	Wall Drain

Feature	Detail
Item Weight	54 Pounds
Hole Count	1 (for faucet)
Product Care Instructions	Wipe with Damp Cloth

WARRANTY INFORMATION

GESIPOR products are manufactured to high-quality standards. For specific warranty details regarding your 24"x19" Wall-Mount Stone Resin Bathroom Sink, please refer to the warranty card included with your purchase or visit the official GESIPOR website. Keep your proof of purchase for any warranty claims.

CUSTOMER SUPPORT

If you have any questions, require assistance with installation, or need to report a product issue, please contact GESIPOR customer support. You can typically find contact information on the product packaging, the official GESIPOR website, or through your retailer.

For online purchases, you may also refer to the seller's support channels on the platform where the product was purchased.