

[Manuals.plus](#) /

> [Voomy](#) /

> VOOMY 7-in-1 Cube Wall Power Strip with USB User Manual

Voomy 7-in-1 Cube Wall Power Strip

VOOMY 7-in-1 Cube Wall Power Strip User Manual

Model: 7-in-1 Cube Wall Power Strip

Brand: Voomy

1. INTRODUCTION

Thank you for choosing the VOOMY 7-in-1 Cube Wall Power Strip. This manual provides essential information for the safe and efficient use of your device. Please read these instructions carefully before use and retain them for future reference.

This compact power strip is designed to provide convenient power access with multiple AC outlets and USB charging ports, featuring built-in safety protections for your electronic devices.

Fiche de distribution 7 en 1



Indicateur LED



3x USB-A



4x AC



Image 1.1: The VOOMY 7-in-1 Cube Wall Power Strip, illustrating its compact design with four AC outlets and three USB-A ports.

2. PRODUCT OVERVIEW AND FEATURES

The VOOMY 7-in-1 Cube Wall Power Strip offers a space-saving design and extensive connectivity options for various electronic devices.

Key Features:

- **Compact Cube Design:** Maximizes space utilization, ideal for home, office, or travel.
- **Extended Connectivity:** Features 4 AC outlets (16A) and 3 USB-A ports (5V=3.1A) for simultaneous charging of multiple devices.
- **Fast USB Charging:** Provides efficient charging for smartphones, tablets, power banks, and other USB-powered gadgets without additional adapters.
- **Advanced Safety Protections:** Equipped with integrated protection against overloads, overvoltages, and short circuits to safeguard connected devices.
- **High Power Capacity:** Supports up to 4000 watts, ensuring stable power delivery without overloading.

Bloc multiprise 7 en 1

3 ports USB et 4 entrées de fiches

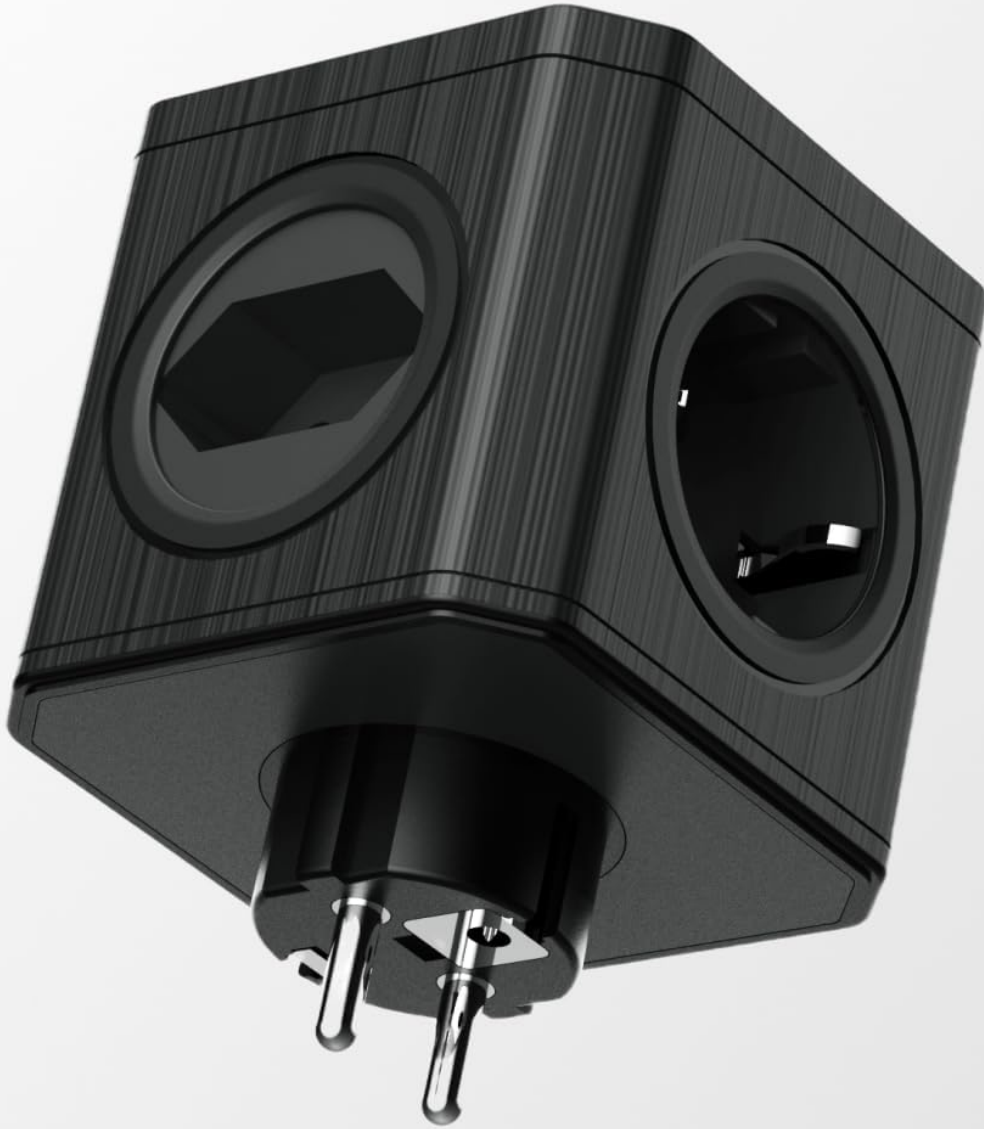


Image 2.1: A detailed view of the VOOMY Cube Power Strip, highlighting its multiple AC outlets and USB ports.



Image 2.2: Visual comparison demonstrating the space-saving advantage of the VOOMY cube design over a traditional power strip.

3. SETUP INSTRUCTIONS

1. **Unpack the Device:** Carefully remove the power strip from its packaging. Inspect for any visible damage.
2. **Choose a Location:** Select a suitable wall outlet that is easily accessible and free from obstructions. Ensure the location is dry and away from heat sources or direct sunlight.

3. **Plug In:** Insert the power strip's plug firmly into a standard wall socket. Ensure a secure connection.
4. **Indicator Light:** Once plugged in, the LED indicator light on the power strip will illuminate, indicating it is receiving power and ready for use.



Image 3.1: The VOOMY Cube Power Strip correctly plugged into a wall outlet, demonstrating its use with multiple devices.

4. OPERATING INSTRUCTIONS

The VOOMY 7-in-1 Cube Wall Power Strip is designed for straightforward operation.

Using AC Outlets:

- Insert the plugs of your electronic devices into any of the 4 available AC outlets.
- Ensure that the total power consumption of all connected devices does not exceed the maximum rating of 4000W (16A).

Using USB-A Ports:

- Connect your USB charging cables to the 3 USB-A ports and then to your devices (e.g., smartphones, tablets).
- The USB ports provide a combined output of 5V=3.1A, suitable for charging most standard USB-powered devices.

Important: Always ensure that the devices you connect are compatible with the power strip's voltage and current ratings. Do not attempt to connect devices that exceed the specified limits.

5. MAINTENANCE

Proper maintenance ensures the longevity and safe operation of your power strip.

- **Cleaning:** Disconnect the power strip from the wall outlet before cleaning. Use a soft, dry cloth to wipe the exterior. Do not use liquid cleaners, aerosols, or solvents.
- **Storage:** When not in use for extended periods, unplug the power strip and store it in a cool, dry place away from direct sunlight and moisture.
- **Inspection:** Periodically inspect the power strip and its cord for any signs of damage, such as frayed wires, cracked casing, or loose connections. If damage is found, discontinue use immediately and contact support.

6. TROUBLESHOOTING

If you encounter issues with your VOOMY 7-in-1 Cube Wall Power Strip, refer to the following common problems and solutions:

Problem	Possible Cause	Solution
No power to outlets/USB ports.	Power strip not plugged in correctly. Wall outlet is not functioning. Overload protection activated.	Ensure the power strip is firmly plugged into a live wall outlet. Test the wall outlet with another device. Unplug some devices to reduce load, then unplug and re-plug the power strip to reset.

Problem	Possible Cause	Solution
Devices not charging via USB.	Faulty USB cable. Device not compatible. USB ports overloaded.	Try a different USB cable. Ensure your device is compatible with 5V/3.1A USB charging. Disconnect other USB devices to see if charging resumes.
Power strip feels hot.	Overloaded with too many high-power devices.	Immediately unplug some devices to reduce the load. Ensure total wattage does not exceed 4000W. If overheating persists, discontinue use.

7. SPECIFICATIONS

Technical details for the VOOMY 7-in-1 Cube Wall Power Strip:

Les dimensions

Enormément compact



300 Grammes



Nécessite 1 connecteur



Compact



Image 7.1: Dimensions of the VOOMY Cube Power Strip.

Feature	Detail
Brand	Voomy
Model	7-in-1 Cube Wall Power Strip
Color	Black
Total AC Outlets	4

Feature	Detail
Total USB Ports	3 (USB-A)
USB Output	5V=3.1A (shared)
Max Current	16 A
Max Power Rating	4000 W
Voltage	220-250V (Typical European voltage)
Electrical Plug Type	European Type E/F compatible (Schuko)
Special Features	USB Connector, Surge Protection
Product Dimensions (L x W x H)	8L x 8W x 11.5H centimeters
Item Weight	300 Grams
Internal Material	Polycarbonate or Plastic
Country of Origin	China

8. SAFETY INFORMATION

To ensure safe operation and prevent damage to the device or connected electronics, please observe the following safety guidelines:

- **Indoor Use Only:** This power strip is designed for indoor use in dry environments. Do not use it outdoors or in wet conditions.
- **Avoid Overloading:** Do not exceed the maximum power rating of 4000W (16A). Overloading can cause overheating, fire, or electrical shock.
- **Surge Protection:** The device includes surge protection to shield your electronics from voltage spikes. However, it is not a substitute for proper grounding or protection against direct lightning strikes.
- **Children and Pets:** Keep the power strip out of reach of children and pets.
- **Ventilation:** Do not cover the power strip or place it in an enclosed space where heat cannot dissipate.
- **No Disassembly:** Do not attempt to open, modify, or repair the power strip. Doing so will void the warranty and may pose a safety risk.
- **Proper Insertion:** Ensure all plugs are fully inserted into the outlets. Loose connections can cause overheating.
- **Damage:** If the power strip or its cord is damaged, discontinue use immediately and replace it.

La sécurité avant tout

Protège tous vos appareils



Foudre
Protection



Court-circuit
Protection



Surcharge
Protection



Surtension
Protection



Image 8.1: Overview of the integrated safety features.

9. WARRANTY AND SUPPORT

Warranty Information:

This VOOMY product comes with a **3-year warranty** from the date of purchase. This warranty covers

manufacturing defects and workmanship under normal use. It does not cover damage caused by misuse, accidents, unauthorized modifications, or natural disasters.

Please retain your proof of purchase for warranty claims.

Customer Support:

For technical assistance, warranty claims, or any questions regarding your VOOMY 7-in-1 Cube Wall Power Strip, please contact your retailer or visit the official Voomy website for support contact information.

Spare parts are available for up to 10 years from the date of purchase.